

Contents

VITO Page 6	BRILLO 2 Page 7	CALIDA Page 10	ORURO Page 10	TAMPICO Page 11
PAULO Page 11	LUIS Page 12	CAMETA Page 12	MURCIA Page 13	VELHO Page 14
TOLOSA Page 15	ASSIS - Long Page 15	ASSIS - Short Page 15	MALLORCA Page 16	GOYA Page 17 Mini vertical
GOYA Page 17 Deep vertical	GOYA Page 18 Shallow horizontal	GOYA Page 18 Deep horizontal	SIERRA Page 21 Mini & Maxi	ALEDO Page 22
TORRES Page 22	ARAXA Page 24	OTONI Page 25	CATALUNA Page 25	VOLTA Page 28 Surface mounted
OTARA Page 28 Recessed	CRUZ Page 30	VARAS Page 30	CAZORLA Page 32	PADRENA Page 33
ALMERIA Page 33	MANGA Page 33	TARIFA Page 33	GUARO Page 34	LORCA Page 34

Alphabetical index - see page 101

Contents

SANTOS Page 34	VIGO Page 34	DELGADO 3 Page 34	COMO Page 36	CASMA Page 36
DELGADO 1 Page 37	DELGADO 2 Page 38	CASTELLAR Page 40	LINDOSO Page 40	AVILA Page 41
JOSE Page 41	MAHON Page 41	DEGANO Page 43	DIMA Page 43	DONIS & DORIGA Page 43
CIPRIAN Page 43	DALLO Page 44	VILLA Page 44	SERENA Page 44	ACARU Page 44
ARCOS Page 46	BORJA Page 46	OBEJO Page 46	GORDAZ Page 46	MENORCA Page 47
CASTELLON Page 47	SANTIDA Page 47	TORCAL Page 48	EMPO Page 48	MATO Page 48
BISCAY Page 49	DOMINGO Page 50	ESPINA Page 51	CULTIVA Page 52	ALTA Page 53

Alphabetical index - see page 101

Contents

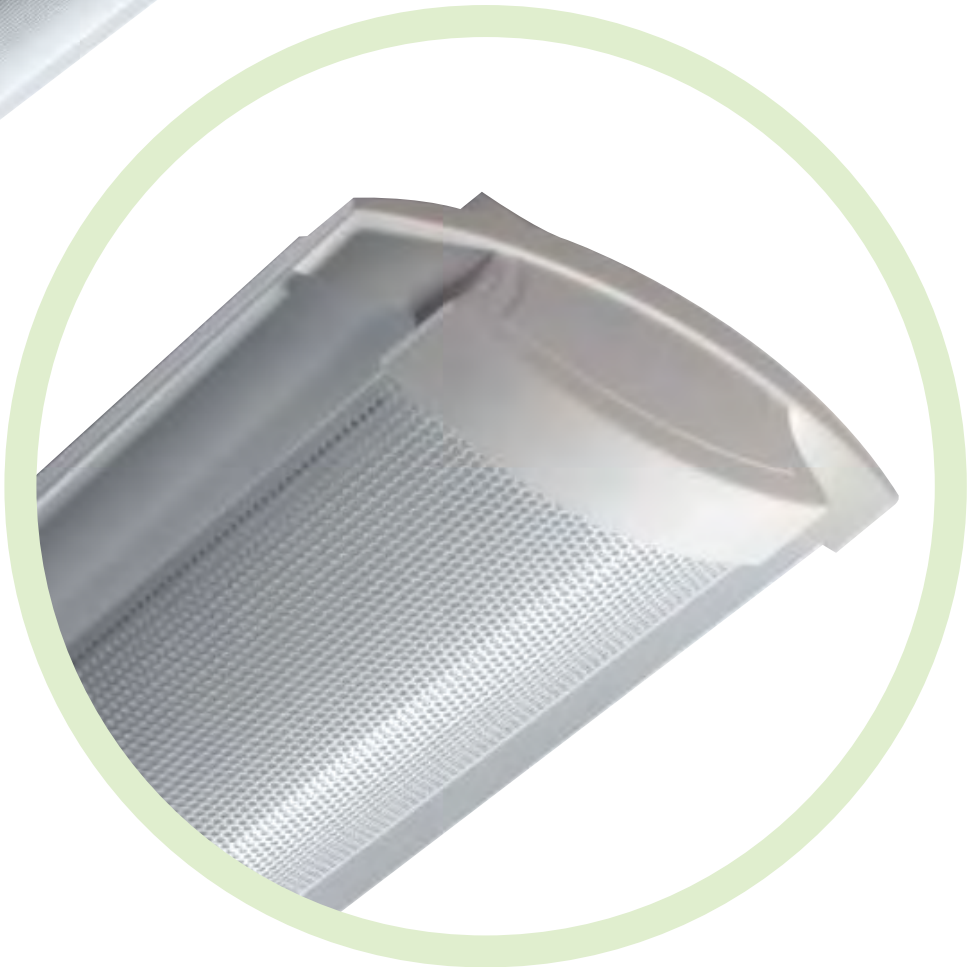
AXPE Page 54	CORDOBA Page 55	TARIJ Page 56	DAROCA Page 57	BELMONTE & PARA Page 58
OLINO & IPAU Page 60	EPCO Page 61	GERONA Page 62	LUXLIFT Page 63	PALMA Page 64
CABRITO MINOR Page 65	CABRITO MAJOR Page 66	CAMINO Page 67	VISTA Page 67	BELO Page 67
AZTEC Page 68	IBIZA Page 68	RIO Page 69	QUITO Page 69	MARIN Page 70
COLUMNS & SPIGOTS Page 70	TALCA Page 72	PACO Page 73	GRANDE Page 73	LUGO Page 74
LEON Page 74	ESTRELLA MINOR Page 75	ESTRELLA 400 Page 75	ESTRELLA 1000 Page 76	ESTRELLA 2000 Page 76
DORADO Page 77	MAMEDE Page 78	ESTADA Page 78	TOLEDO Page 80	KAMPO Page 80

Alphabetical index - see page 101

Contents

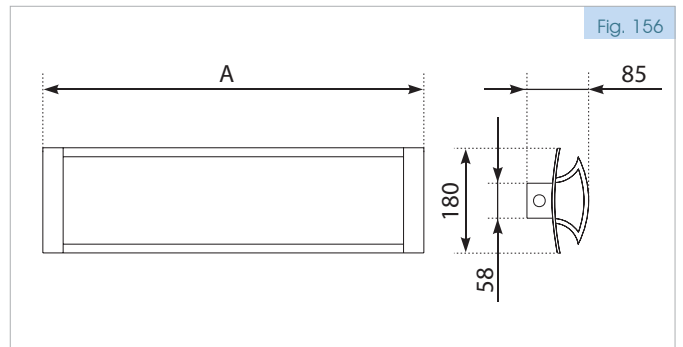
ZAFRA Page 81	LOJA Page 81	CARMONA Page 82	BOLLO Page 82	ARICA Page 84
PALENCIA Page 86	JAEN Page 86	HUESEA Page 86	YEPES Page 86	DARIEN Page 86
XINZO Page 86	GRANADA Page 87	UBEDA Page 87	CANTABRIA Page 87	ISTAN Page 87
LIMA Page 88	CALDERA Page 88	ALICANTE Page 90	LARIA Page 90	GANDIA Page 91
JEREZ Page 91	MOTRIL Page 92	PUNTO Page 92	SANTOS Page 34 & 93	VIGO Page 34 & 93
BAUTISTA Page 94	TEMUCO Page 94	FRANCA Page 94	AMIGO Page 95	AMAPA Page 95
BOCA Page 96	GALICIA Page 96	MADRID Page 98	CASTILLE Page 99	ARAGON Page 99

Alphabetical index - see page 101



T8	VITO	Code	Dimensions	
			A (mm)	
2 x 18W	c/w high frequency ballast	SSFLV218HFL	657	Fig 156
2 x 36W	c/w high frequency ballast	SSFLV236HFL	1267	Fig 156
2 x 58W	c/w high frequency ballast	SSFLV258HFL	1567	Fig 156
2 x 70W	c/w high frequency ballast	SSFLV270HFL	1831	Fig 156

T5	VITO	Code	Dimensions	
			A (mm)	
2 x 28W	c/w high frequency ballast	SSFLV228HFL	1267	Fig 156
2 x 35W	c/w high frequency ballast	SSFLV235HFL	1567	Fig 156
2 x 54W	c/w high frequency ballast	SSFLV254HFL	1267	Fig 156
2 x 80W	c/w high frequency ballast	SSFLV280HFL	1567	Fig 156



Slimline surface/suspended direct/indirect luminaire with aesthetically pleasing winged reflector and micro perforated opal lined central basket. An array of slotted holes in the back of the reflector introduces an upright component for the illumination of ceilings with suspended versions of the Vito. White powder coated steel body and basket c/w polycarbonate end-caps.

VITO

- For 3HR maintained integral emergency add **EM** to the end of the above product codes for example SSFLV228**EM**
- **Installation** - By suspension, or by mounting direct on to non-flammable surface
- **Dimming** - Dimmable ballast details available on request

- **Lamps (T8)** - Not included
- **Lamps (T5)** - Included
- **IP20** - 240 Volts 50Hz - Nominal supply

BRILLO 2

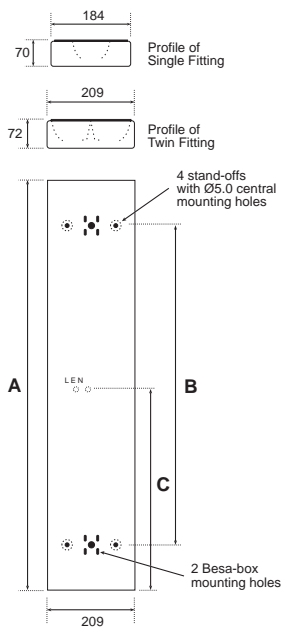


	Code	Dimensions			
	Switch Start Ballast	A (mm)	B (mm)	C (mm)	
1 x 36W	SFB2136	1250	990	655	Fig 79
1 x 58W	SFB2158	1550	1290	695	Fig 79
1 x 70W	SFB2170	1815	1550	830	Fig 79

	Code	Dimensions			
	High frequency Ballast	A (mm)	B (mm)	C (mm)	
2 x 36W	SFB2236HF	1250	990	530	Fig 79
2 x 58W	SFB2258HF	1550	1290	680	Fig 79
2 x 70W	SFB2270HF	1810	1550	810	Fig 79

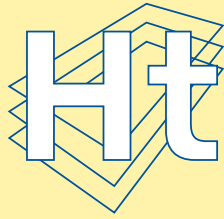
White dry powder coated steel body with polycarbonate end caps. Ultra high purity anodised and polished aluminium louvre and reflector.

Fig. 79



- For High frequency versions of the above fittings add **HF** to the end of the product codes for example SFB2136**HF**
- For 3HR maintained integral emergency add **EM** to the end of the above product codes for example SFB270**EM**
- **Lamps (T8)** - Not included, other lamp options by request
- **Louvre** - High purity aluminium. LG3 compliant (low brightness reeded cross blade louvre also available)
- **Power Factor** - Power factor correction capacitor standard

- **Electronic starter** - Specify when ordering where required
- **Dimming** - Dimmable ballast details available on request
- **Installation** - By suspension, or by mounting direct on to non-flammable surface
- **Self-test emergency versions** of all fluorescent luminaires are available on request
- **IP20** - 240 Volts 50Hz - Nominal supply



Hilclare Technology

Precision engineers and metal work specialists

CNC Punching

Hand Spinning

CNC Bending

Power Pressing

Welding

Tool Making

Metal Work Specialists



CNC Turret Presses and Press Brakes

- 'State of the art' CNC/CAD/CAM equipment.
- Wide range of precision sheet metal applications
- Capable of producing products up to 3.0 metre length with accuracies of 0.1 mm from various materials.
- Competitive pricing.

Press Shop and Tool Room

- Our highly skilled tool room team can offer expertise in all areas.
- Power Pressing facilities up to 75 tonne.

Metal Spinning

- Equipment designed to produce a full complement of spun products.
- Flexible production with relatively low tooling costs.
- Skilled craftsmen apply a wealth of knowledge to your spinning requirements.
- Small, intricate forms and components up to 0.75 metres in diameter.

Precision Engineering

- A complete range of machining facilities catering for small runs and extended repetition production.
- Turning, milling, grinding and drilling.

General Fabrication and Sub-Assembly

- All the ancillary equipment you would expect coupled with a skilled workforce.
- Assembly department to complete our service

Welding

- TIG, MIG. Spot and Stud Welding facilities.

Our commitment to meeting customer requirements has led us to evolve into a 'one-stop-shop' dedicated to providing a complete production solution

If your business is currently in need of any of the mentioned services please contact us immediately to give us the opportunity to provide you with a competitively priced service and product.

HILCLARE TECHNOLOGY

Park Road, Elland, West Yorkshire, HX5 9HX

Telephone: 01422 373 850 Fax: 01422 313 475

Email: info@hilclare.com Website: www.hilclare.com



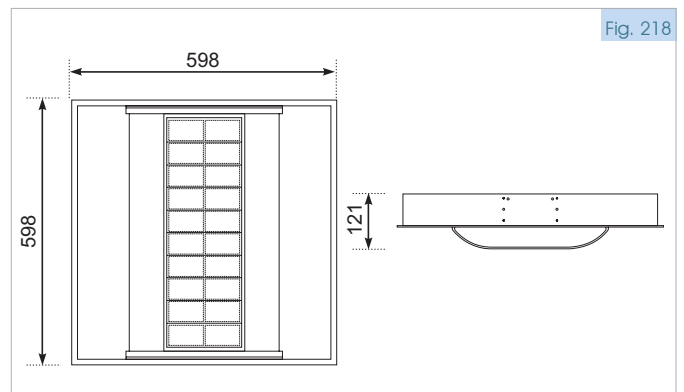
CALIDA

	CALIDA	Code	Dimensions
4 x 14W	Fitting c/w high frequency ballast and lamps	RDIC414HFL	Fig 218
4 x 24W	Fitting c/w high frequency ballast and lamps	RDIC424HFL	Fig 218
2 x 40W	Fitting c/w high frequency ballast and lamps	RDIC240HFL	Fig 218
2 x 55W	Fitting c/w high frequency ballast and lamps	RDIC255HFL	Fig 218

White, powder coated steel body and curved reflectors. Central drop basket comprised of a specular wedge bladed louvre and 2 adjacent perforated steel baffles c/w integral opal linings. Drop basket end panels made from white powder coated diecast aluminium. Suitable for installation in 25mm exposed T-grid ceilings.



Fig. 218



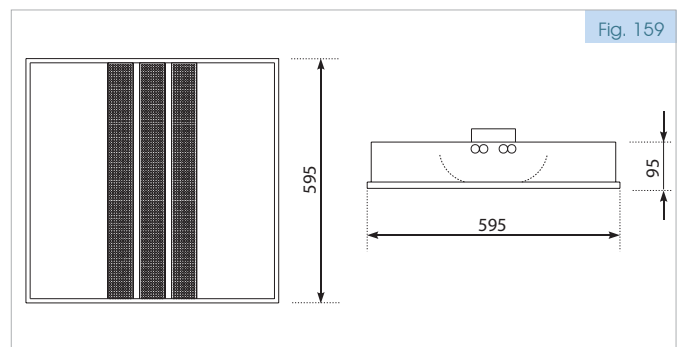
ORURO

	ORURO	Code	Dimensions
2 x 40W	Fitting c/w high frequency ballast and lamps	RDIO240HFL	Fig 159
2 x 55W	Fitting c/w high frequency ballast and lamps	RDIO255HFL	Fig 159

White powder coated steel body and central basket/reflector. Part perforated central basket c/w opal lining to provide a diffuse direct downlight component. Suitable for installation in 25mm exposed T-grid ceilings.



Fig. 159



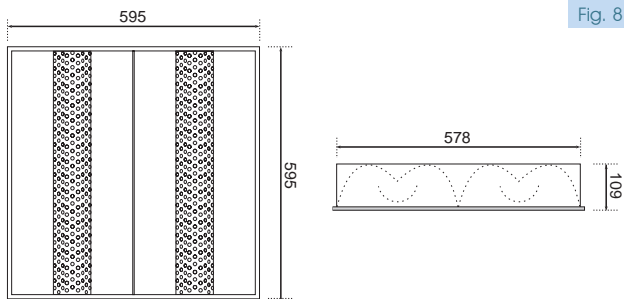
CALIDA and ORURO

- For 3hrs maintained integral emergency add **EM** to the end of the product code eg: RDIO255HF**LEM**
- **Lamps** c/w high frequency ballast fitted as standard
- **Other lamp versions** available on request
- **Dimming** versions available on request
- **IP20** - 240 Volts 50Hz Nominal supply

TAMPICO



Fig. 87



	TAMPICO	Baffle Type	Code for fitting c/w lamp	Dimensions
2 x 40W	Fitting c/w high frequency ballast and lamps	Perforated	LMP240HFL	Fig 87
2 x 40W	Fitting c/w high frequency ballast and lamps	Unperforated	LMTU240HFL	Fig 87
2 x 55W	Fitting c/w high frequency ballast and lamps	Perforated	LMP255HFL	Fig 87
2 x 55W	Fitting c/w high frequency ballast and lamps	Unperforated	LMTU255HFL	Fig 87

White powder coated steel body with fixed central back reflector and 2 clip-on perforated, or unperforated, baskets. Suitable for installation in 25mm exposed T-grid ceilings and plasterboard of 10-40mm thickness.

PAULO



Fig. 160

	PAULO	Code	Dimensions
1 x 55W	Fitting c/w high frequency ballast and lamp	RDIP55HFL	Fig 160
2 x 40W	Fitting c/w high frequency ballast and lamps	RDIP240HFL	Fig 160
2 x 55W	Fitting c/w high frequency ballast and lamps	RDIP255HFL	Fig 160

White, powder coated steel body. Central basket comprised of a specular wedge bladed louvre and 2 adjacent perforated curved segments c/w integral opal linings. Suitable for installation in 25mm exposed T-grid ceilings.

Accessories - PAULO	Code
Plasterboard support frame	RDIPPSF

TAMPICO and PAULO

- For 3hrs maintained integral emergency add **EM** to the end of the product code eg: LMP255HF**LEM**
- Other lamp versions** available on request
- Dimming** versions available on request
- IP20** - 240 Volts 50Hz Nominal supply
- Lamps** - Included: TCL compact fluorescent lamps c/w high frequency ballast fitted as standard
- Self-test emergency versions** of all fluorescent luminaires are available on request

3x14W – 4x24W

Recessed Fluorescent

LUIS

	LUIS	Code	Dimensions
3 x 14W	Fitting c/w high frequency ballast and lamps	RL314HFL	Fig 161
3 x 24W	Fitting c/w high frequency ballast and lamps	RL324HFL	Fig 161
4 x 14W	Fitting c/w high frequency ballast and lamps	RL414HFL	Fig 161
4 x 24W	Fitting c/w high frequency ballast and lamps	RL424HFL	Fig 161

White powder coated slimline steel body and detachable louvre frame. Specular wedge blade louvre and perforated divider panels. Compatible with 25mm exposed tee bars.

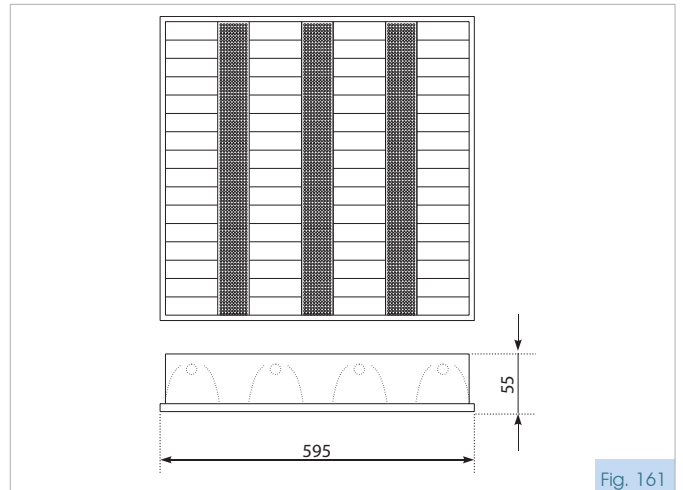


Fig. 161

4x14W – 4x24W Semi-recessed Direct/Indirect Fluorescent

CAMETA

	CAMETA	Code	Dimensions
4 x 14W	Fitting c/w high frequency ballast and lamps	SRDIC414HFL	Fig 162
4 x 24W	Fitting c/w high frequency ballast and lamps	SRDIC424HFL	Fig 162

White powder coated steel body and detachable end panels with ultra high purity polished aluminum louvre. End panels are made up of a perforated section c/w opal lining which allows an upward light component on to the ceiling. Compatible with 25mm exposed tee bars.

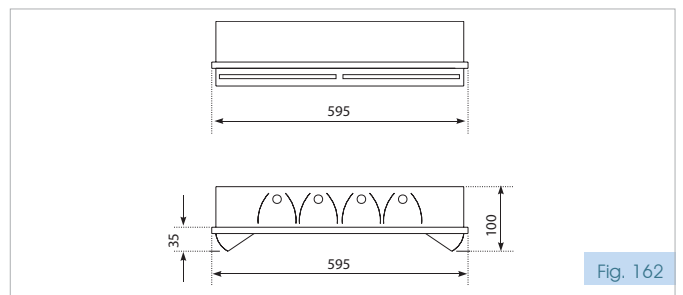
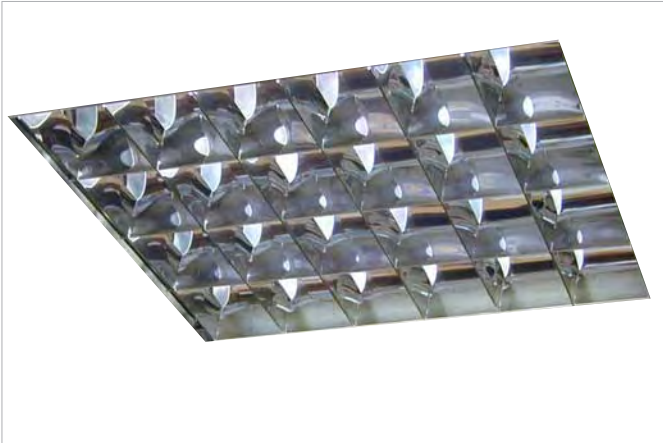


Fig. 162

LUIS and CAMETA

- For 3hrs maintained integral emergency add **EM** to the end of the product codes, for example RL324HF**LEM**
- **Self-test emergency versions** of all fluorescent luminaires are available on request
- **Other lamp versions** – available on request
- **Dimming versions** – available on request
- **IP20** - 240Volts, 50Hz Nominal supply

MURCIA



Fully boxed white gloss dry powder coated steel body, ultra-high purity bright anodised LG3 compliant aluminium louvre. Compatible with 25mm exposed tee bars.

MURCIA		Code	Dimensions
3 x 18W	c/w high frequency ballast and louvre	LMM3 18LV25	600x600mm
3 x 18W	c/w high frequency ballast (no louvre)	LMM3 18	600x600mm
4 x 18W	c/w high frequency ballast and louvre	LMM4 18LV25	600x600mm
4 x 18W	c/w high frequency ballast (no louvre)	LMM4 18	600x600mm
4 x 36W	c/w high frequency ballast and louvre	LMM4 36LV25	1200x600mm
4 x 36W	c/w high frequency ballast (no louvre)	LMM4 36	1200x600mm

Accessories - MURCIA	Code
Flat polystyrene prismatic diffuser. Fire rating: Tp(b), for use with 600x600 fittings	LMMD1
Flat acrylic prismatic diffuser. Fire rating: Tp(a), for use with 600x600 fittings	LMMD2
Flat Firelux uv prismatic diffuser. Fire rating: Tp(a), for use with 600x600 fittings	LMMD3
Flat polycarbonate prismatic diffuser. Fire rating: Tp(a), for use with 600x600 fittings	LMMD4

MURCIA

- For switch-start versions of the above fittings remove **HF** at the end of the product codes, for example LMM318
- For 3hrs maintained emergency versions of the above fittings add **EM** to the product codes, for example LMM418**EM**
- **Louvres** compatible with 15mm exposed tee bars available on request
- **Lamps (T8)** – Not included.
- **Dimming** – Dimmable ballast details available on request
- **Electronic starter** – Specify when ordering where required
- **Power Factor** – Power factor correction capacitor standard
- **IP20** - 240 Volts 50Hz - Nominal supply

1x40W – 2x55W Asymmetric Wall-wash Luminaires

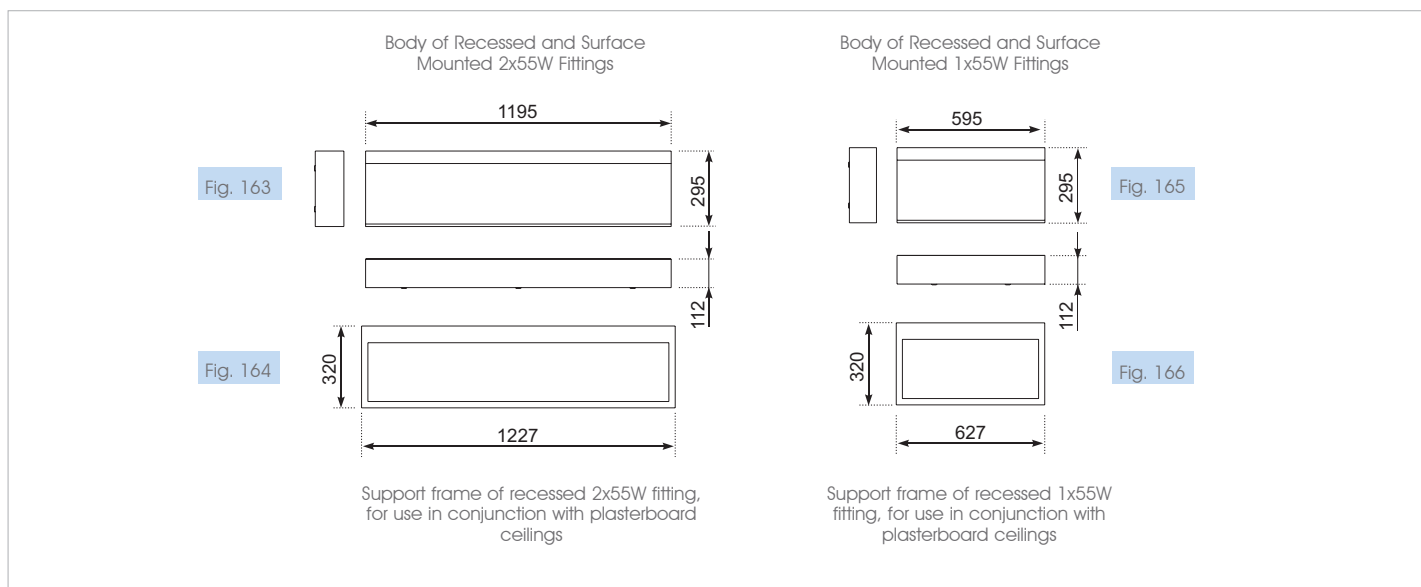
VELHO

	VELHO	Code	Dimensions
1 x 55W	Surface mounted fitting c/w lamp	AVS1 55HFL	Fig 165
2 x 55W	Surface mounted fitting c/w lamps	AVS2 55HFL	Fig 163
1 x 55W	Recessed fitting c/w lamp	AVR1 55HFL	Fig 165
2 x 55W	Recessed fitting c/w lamps	AVR2 55HFL	Fig 163
1 x 55W	Recessed fitting c/w lamp for use in conjunction with plasterboard ceilings	AVR1 55HFLPF1	Fig 166
2 x 55W	Recessed fitting c/w lamps for use in conjunction with plasterboard ceilings	AVR2 55HFLPF2	Fig 164

Note - minimum plasterboard ceiling thickness - 10mm
maximum plasterboard ceiling thickness - 50mm



White powder coated steel body and under ceiling picture frame. Ultra high purity bright anodised asymmetric reflector. Recessed versions are compatible with 15mm and 25mm exposed tee ceiling frame systems and most plasterboard ceilings.



VELHO

- **Ballasts** - all ballasts are high frequency for the above fittings
- For 3HR maintained integral emergency add **EM** to the end of the above product codes for example AVS155HF**LEM**
- **Other lamp versions** - available on request
- For **40W lamp versions** of the Velho replace **55** with **40** in the above codes eg AVS**240**HFL
- **Dimming versions** - available on request
- **Colour choice** - available on application
- For lamp colour temperatures - See page 100
- **IP20** - 240 Volts 50Hz - Nominal supply

Wall Mounted $\frac{1}{4}$ Sphere Uplighters **2x18W - 200W**

TOLOSA

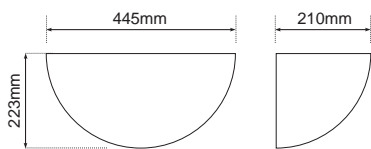


Fig. 83

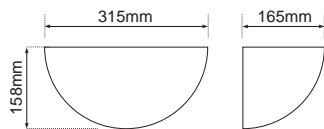


Fig. 84

Dimming -

Tungsten Halogen Can be dimmed using a resistive load type dimmer

Compact fluorescent 3 - 100% digital dimming systems are available for all compact fluorescent versions of the Tolosa

IP20 - 240 Volts, 50Hz Nominal supply

PL fittings c/w ballast & Lamps	Diameter	Code	Dimensions
2 X 18W c/w switch-start ballast	315	ULT32 18L	Fig 84
2 X 18W c/w switch-start ballast	445	ULT42 18L	Fig 83
2 X 26W c/w switch-start ballast	315	ULT32 26L	Fig 84
2 X 26W c/w switch-start ballast	445	ULT42 26L	Fig 83
2 X 32W c/w high frequency ballast	445	ULT42 32HFL	Fig 83
2 X 42W c/w high frequency ballast	445	ULT42 42HFL	Fig 83
2 X 57W c/w high frequency ballast	445	ULT42 57HFL	Fig 83

HID fittings c/w ballast & Lamp	Diameter	Code	Dimensions
70W Metal Halide RX7s	315	ULT3H 70TL	Fig 83
70W Metal Halide RX7s	445	ULT4H 70TL	Fig 84
150W Metal Halide RX7s-24	445	ULT4H 150TL	Fig 84
70W Ceramic Metal Halide RX7s	315	ULT3H 70TLC	Fig 83
150W Ceramic Metal Halide RX7s-24	445	ULT4H 150TLC	Fig 84

T. Halogen fittings c/w Lamp	Diameter	Code	Dimensions
200W RX7s	445	ULT4T 200L	Fig 84
200W RX7s	315	ULT3T 200L	Fig 83

White dry powder coated aluminium body and mild steel back-plate with 2 keyhole fixing slots. High purity aluminium reflector, integral control gear and toughened clear glass diffuser.

Wall Mounted Up/Downlighters **2x13W - 2x55W**

ASSIS



Fig. 158

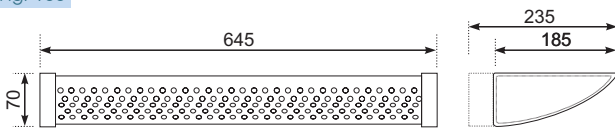
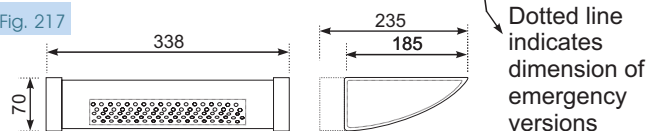


Fig. 217



Dotted line indicates dimension of emergency versions

ASSIS	Code	Dimensions
2 x 13W Fitting c/w high frequency ballast	UDLA 213HFL	Fig 217
2 x 18W Fitting c/w high frequency ballast	UDLA 218HFL	Fig 217
1 x 55W Fitting c/w high frequency ballast	UDLA1 55HFL	Fig 158
2 x 55W Fitting c/w high frequency ballast	UDLA2 55HFL	Fig 158

Spare glass - ASSIS	Code	Dimensions
Glass diffuser 1	UDLG1	Fig 158
Glass diffuser 2	UDLG2	Fig 217

White powder coated steel body, acrylic end caps and glass diffuser. Part perforated curved lower section c/w opal inner lining to provide a diffuse downlight component.

IP20 - 240 Volts, 50Hz Nominal supply

- **Lamps** c/w high frequency ballast fitted as standard
- **Other lamp versions** - available on request
- **Dimming versions** - available on request
- **Emergency versions** - available on request, contained in independent steel box located at the rear of the luminaire. See figs 158 and 217

MALLORCA

	Shallow horizontal fittings c/w lamp	Code	Dimensions
2 x 18W	G24d2 c/w switch-start ballast	SHM 218WL	Fig 232
2 x 26W	G24d3 c/w switch-start ballast	SHM 226WL	Fig 232

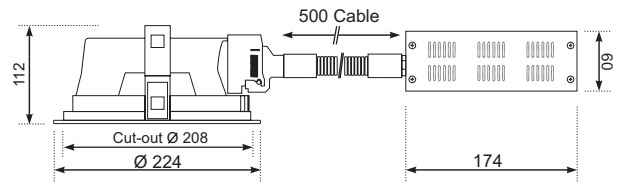
A light weight lamp housing comprising a white polycarbonate rim, faceted ultra high purity bright anodised aluminium reflector and a lampholder tilting facility to aid relamping. IP20 floating glass, IP40 recessed glass and IP44 flush glass options. Remote steel gear housing connected to lamp housing via 45cms of white flexible conduit

Accessories - MALLORCA		Code
Recessed patterned glass	design 9	MDGR9
Flush clear glass fully etched	design 6	MDGFLU6
Floating clear glass	design 1	MDGFL01
Floating light blue glass	design 2	MDGFL02
Floating halo glass clear etched	design 3	MDGFL03
Floating halo glass cobalt blue	design 5	MDGFL05
Floating clear glass fully etched	design 6	MDGFL06

Switch Start Only



Fig 232



Colour Chart

Colour	Indicates Missing Portion of Glass	Indicates Unetched Portion of Glass	Indicates Etched/patterned Portion of Glass
Clear (no colour) glass			
Light blue glass	n/a		
Clear patterned glass	n/a		
Cobalt blue glass			n/a

Design 1 Floating Clear glass		Design 2 Floating Light blue glass	
Design 3 Floating Halo glass clear etched		Design 5 Floating Halo glass cobalt blue	
Design 6 Floating Clear glass fully etched		Design 6 Flush Clear glass fully etched	
Design 9 Recessed Clear patterned glass			



MALLORCA

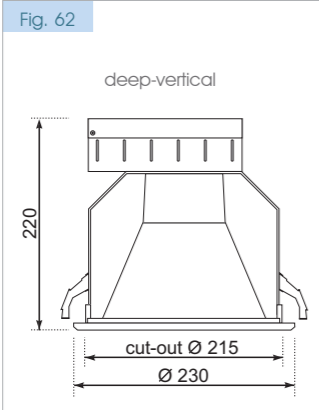
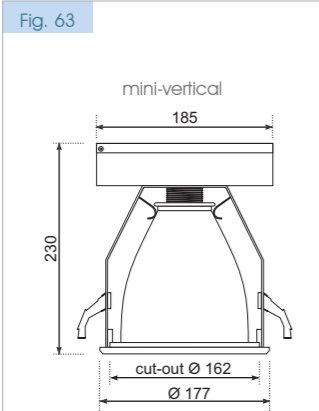
- High Frequency Ballast(s) add 'HF' in front of the 'L' of product code
- Emergency remote 3 hour emergency pack available for PL fittings see page
- IP 20/44 240Volts 50Hz - Nominal supply
- Colour temperature of Compact Fluorescent Lamps specify 2700K, 3500K or 4000K choice.
- All flush and floating glass designs can be retro-fitted to the Mallorca downlighter

Compact Fluorescent Downlights Metal Halide Downlights

10 - 42W
35 - 150W

GOYA

Choice of chrome or brass anodised zinc bezel or white die-cast aluminium bezel. Plated steel gear housing, ultra-high purity anodised faceted aluminium reflector, switch start unless otherwise stated. IP20 for open and floating glass versions, IP44 for flush glass versions. Lamps included.



PL mini vertical fittings c/w ballast, lamp and white bezel		Code	Dimensions
10W	G24d1 c/w switch-start ballast	MVG 10WL	Fig 63
13W	G24d1 c/w switch-start ballast	MVG 13WL	Fig 63
18W	G24d2 c/w switch-start ballast	MVG 18WL	Fig 63
26W	G24d3 c/w switch-start ballast	MVG 26WL	Fig 63
32W	G24q3 c/w high frequency ballast	MVG 32HFWL	Fig 63

HID mini vertical fittings c/w ballast, lamp and white bezel		Code	Dimensions
70W	E27 Metal Halide	MVGH 70TWLO	Fig 63
35W	G12, Ceramic Metal Halide	MVGH 35TWLC	Fig 63
70W	G12, Ceramic Metal Halide	MVGH 70TWLC	Fig 63

PL deep vertical fittings c/w ballast, lamp and white bezel		Code	Dimensions
10W	G24d1 c/w switch-start ballast	DVG 10WL	Fig 62
13W	G24d1 c/w switch-start ballast	DVG 13WL	Fig 62
18W	G24d2 c/w switch-start ballast	DVG 18WL	Fig 62
26W	G24d3 c/w switch-start ballast	DVG 26WL	Fig 62
32W	GX24q3 c/w high frequency ballast	DVG 32HFWL	Fig 62
42W	GX24q4 c/w high frequency ballast	DVG 42HFWL	Fig 62

HID deep vertical fittings c/w ballast, lamp and white bezel		Code	Dimensions
70W	E27 Metal Halide	DVGH 70TWLO	Fig 62
35W	G12, Ceramic Metal Halide	DVGH 35TWLC	Fig 62
70W	G12, Ceramic Metal Halide	DVGH 70TWLC	Fig 62
150W	G12, Ceramic Metal Halide	DVGH 150TWLC	Fig 62

Flush polycarbonate diffuser - Not available for Metal Halide

Accessories - FACTORY FITTED

Glass - floating/flush	See page 19
Polycarbonate - flush	See page 19

GOYA

- Polycarbonate flush diffuser - not available for metal halide versions.
- Ceramic Metal Halide Lamps are not open rated and must be used in conjunction with flush glass diffusers see page 19.
- Colour Temperature of Compact Fluorescent Lamps specify 2700K, 3500K or 4000K choice.
- Lamp colour temperatures - refer to page 100 for Metal Halide lamps
- High Frequency Ballast(s) Add 'HF' in front of the 'L' of product code
- Self-test emergency versions of all fluorescent luminaires are available on request
- Suffix 'O' indicates Open-Fixture Rated Lamp
- IP 20/44 240 Volts 50Hz - Nominal supply

1x10W - 2x32W Compact Fluorescent Downlights

GOYA

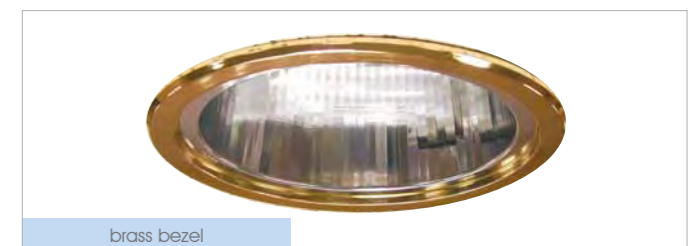
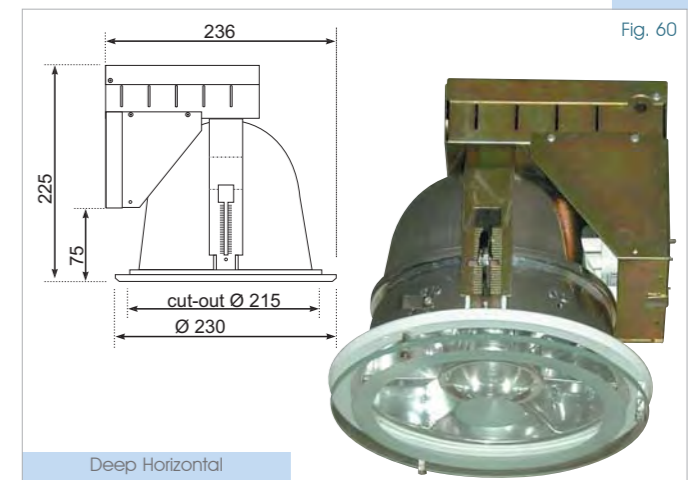
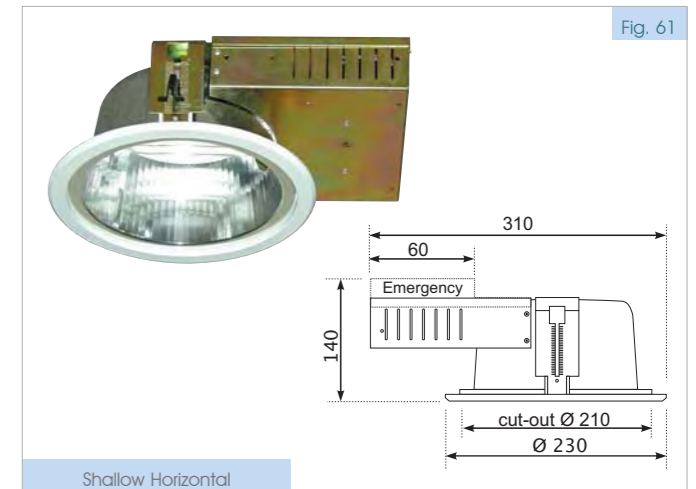
Choice of chrome or brass anodised zinc bezel or white die-cast aluminium bezel. Plated steel gear housing, ultra-high purity anodised faceted aluminium reflector, switch start unless otherwise stated. IP20 for open and floating glass versions, IP44 for flush glass versions. Lamps included.

PL shallow horizontal fittings c/w switch-start ballast, lamp & white bezel		Code	Dimensions
10W	G24d1 c/w switch-start ballast	SHG10WL	Fig 61
13W	G24d1 c/w switch-start ballast	SHG13WL	Fig 61
18W	G24d2 c/w switch-start ballast	SHG18WL	Fig 61
26W	G24d3 c/w switch-start ballast	SHG26WL	Fig 61
2 x 10W	G24d1 c/w switch-start ballast	SHG210WL	Fig 61
2 x 13W	G24d1 c/w switch-start ballast	SHG213WL	Fig 61
2 x 18W	G24d2 c/w switch-start ballast	SHG218WL	Fig 61
2 x 26W	G24d3 c/w switch-start ballast	SHG226WL	Fig 61

PL deep horizontal fittings c/w ballast, lamp & white bezel		Code	Dimensions
10W	G24d1 c/w switch-start ballast	DHG10WL	Fig 60
13W	G24d1 c/w switch-start ballast	DHG13WL	Fig 60
18W	G24d2 c/w switch-start ballast	DHG18WL	Fig 60
26W	G24d3 c/w switch-start ballast	DHG26WL	Fig 60
2 x 10W	G24d1 c/w switch-start ballast	DHG210WL	Fig 60
2 x 13W	G24d1 c/w switch-start ballast	DHG213WL	Fig 60
2 x 18W	G24d2 c/w switch-start ballast	DHG218WL	Fig 60
2 x 26W	G24d3 c/w switch-start ballast	DHG226WL	Fig 60
32W	GX24q3 c/w high frequency ballast	DHG32HFWL	Fig 60
2 x 32W	GX24q3 c/w high frequency ballast	DHG232HFWL	Fig 60

Accessories - FACTORY FITTED

Glass - floating/flush	See page 19
Polycarbonate - flush	See page 19
Chrome effect perforated trim	See page 19
Wall-wash	See page 20
Louvres	See page 20



Chrome and brass anodised zinc bezel options are available for all shallow horizontal, deep horizontal, mini vertical and deep vertical downlighters.

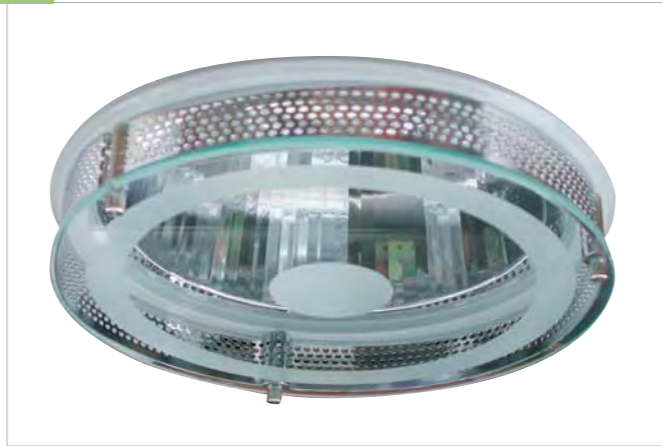
GOYA

- IP 20/44 240 Volts 50Hz - Nominal supply
- Low Glare Louvre - for DH only - specify by adding LVR to product code.
- Dimming - 3 - 100% digital dimming systems are available for all compact fluorescent versions of the Goya
- Remote 3 hour emergency pack available for PL fittings - see page 20
- Bezel Colour Choice - Replace W in the above codes with B for Brass and C for Chrome coloured bezels
- High Frequency Ballast(s) Add 'HF' in front of the 'L' of product code

GOYA Accessories

Eight basic designs of glass/polycarbonate are available for each of the downlighters, except Metal Halide Versions:

Glass Type c/w Fittings	IP Rating	Mini - Vertical (Fig 63)	Deep - Vertical Shallow - Horizontal Deep - Horizontal
Design 1 Flush Clear Glass	44	GDGMFLU1	GDGSFLU1
Design 1 Floating Clear Glass	20	GDGMFLO1	GDGSFLO1
Design 2 Flush Light Blue Glass	44	GDGMFLU2	GDGSFLU2
Design 2 Floating Light Blue Glass	20	GDGMFLO2	GDGSFLO2
Design 3 Floating Halo Glass Clear Etched	20	GDGMFLO3	GDGSFLO3
*Design 4 Flush Clear Polycarbonate	44	GDPMFLU4	GDPSFLU4
Design 5 Floating Halo Glass Cobalt Blue	20	GDGMFLO5	GDGSFLO5
Design 6 Floating Clear Glass Fully Etched	20	GDGMFLO6	GDGSFLO6
Design 6 Flush Clear Glass Fully Etched	44	GDGMFLU6	GDGSFLU6
*Design 7 Flush Opal Polycarbonate	44	GDPMFLU7	GDPSFLU7
*Design 8 Flush Clear Prismatic Polycarbonate	44	GDPMFLU8	GDPSFLU8



All versions of floating glass are also available c/w chrome effect perforated trim. Add T1 to the end of the floating glass order codes.

Colour Chart

Colour	Indicates Missing Portion of Glass	Indicates Unetched Portion of Glass or Polycarbonate	Indicates Etched/patterned Portion of Glass
Clear (no colour) glass			
Light blue glass	n/a		
Clear (no colour) polycarbonate	n/a		n/a
Cobalt blue glass			n/a
Opal polycarbonate	n/a		n/a

GOYA ACCESSORIES

- **Dimmable Control Gear** – Digital option on request for compact fluorescent fittings.
- **Glass and Colour Options** – other designs of glass diffuser available and other colours available on request.

GOYA Accessories

Accessory	Shallow Horizontal	Deep Vertical	Deep Horizontal								
Low-glare louvre	-	-	Add LGL to the end of product code								
Wall-wash louvre c/w chromium bezel	Add WWL to the end of product code	Add WWL to the end of product code	Add WWL to the end of product code								
LG3 Compliant egg - crate louvre c/w chromium bezel	Add CAT2L to the end of product code	Add CAT2L to the end of product code	Add CAT2L to the end of product code								
Hanging exit sign Please specify arrow direction: <table border="1" style="display: inline-table; vertical-align: middle;"><tr><td>AL</td><td>AR</td><td>AU</td><td>AD</td></tr><tr><td>Left</td><td>Right</td><td>Up</td><td>Down</td></tr></table>	AL	AR	AU	AD	Left	Right	Up	Down	Add HES to the end of product code	Add HES to the end of product code	Add HES to the end of product code
AL	AR	AU	AD								
Left	Right	Up	Down								

Three basic louvre designs and a hanging exit sign are available for all compact fluorescent versions of the shallow horizontal, deep horizontal and deep vertical downlighters

Note: The wall-wash and CAT2 egg-crate louvres can be supplied with white bezels



Low-glare louvre c/w white bezel



Wall-wash louvre c/w chrome bezel



LG3 compliant louvre c/w chrome bezel



Hanging Exit sign c/w white bezel

*Remote 3hr Emergency Packs for Compact Fluorescent, 1 lamp per fitting
Supplied pre-wired to fitting for ease of installation.

	Maintained	Non-maintained
10W	R10 EM	R10ENM
13W	R13 EM	R13ENM
18W	R18 EM	R18ENM
26W	R26 EM	R26ENM
32W	R32 EM	R32ENM
42W	R42 EM	R42ENM

*Not available for Metal Halide

Note: For the shallow horizontal version of the Goya, emergency gear is located in a box on the rear of the luminaire, see Fig 61, and the batteries in a remote box. For all other versions of the Goya both the emergency gear and batteries are remotely located.

Compact Fluorescent Downlights 1x18W - 2x42W

SIERRA MINI & MAXI



Plated steel/polycarbonate gear housing and partially faceted ultra-high purity anodised aluminium reflector. White painted aluminium, bezel and various designs of flush and floating glass. Low glare louvre also available. The Sierra is supplied c/w high frequency gear and lamps and is suitable for recessed mounting in ceilings up to 20mm in thickness.

Fig. 247

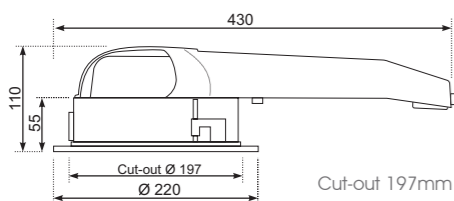
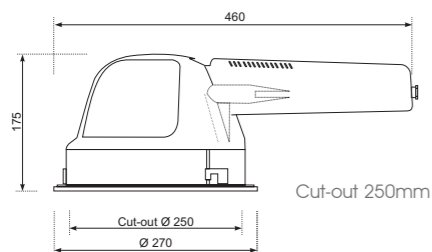


Fig. 248



SIERRA MINI PL shallow horizontal fittings c/w ballast, lamp & white bezel			
		Code	Dimensions
18W	G24q2 c/w high frequency ballast	SHS18HFWL	Fig 247
26W	G24q3 c/w high frequency ballast	SHS26HFWL	Fig 247
2x18W	G24q2 c/w high frequency ballast	SHS218HFWL	Fig 247
2x26W	G24q3 c/w high frequency ballast	SHS226HFWL	Fig 247

SIERRA MAXI PL shallow horizontal fittings c/w ballast, lamp & white bezel			
		Code	Dimensions
2x32W	GX24q3 c/w high frequency ballast	SHS232HFWL	Fig 248
2x42W	GX24q4 c/w high frequency ballast	SHS242HFWL	Fig 248

Floating Glass/Flush Glass Five basic designs of glass are available for both the mini and maxi versions of the Sierra. Designs 3, 4 and 6 are similar to the glass offered with the Goya range of downlighters where as designs 9 and 10 are unique to the Sierra. All of the Sierra glass accessories can be retro fitted.

Glass Type c/w Fittings	IP Rating	Sierra-Mini	Sierra-Maxi
Design 3 Floating Halo Glass Clear Etched	20	SDGMIFL03	SDGMAFL03
*Design 4 Flush Clear Glass	44	SDGMIFL04	SDGMAFL04
Design 6 Flush Clear Glass Fully Etched	44	SDGMIFL06	SDGMAFL06
*Design 9 Flush Clear Glass White Hatched Pattern	44	SDGMIFL09	SDGMAFL09
*Design 10 Flush Clear Glass	44	SDGMIFL10	SDGMAFL10

Low-glare Louvres
Available for both the mini and maxi versions of the Sierra and can be retro fitted.

Louvre Type	Sierra-Mini	Sierra-Maxi
Low Glare	SDMILGL	SDMALGL



Low-glare louvre



Floating halo glass clear etched



Flush clear glass with white hatched pattern

SIERRA MINI & MAXI

- IP 20/44 240 Volts 50Hz - Nominal supply.
- For remote 3hr emergency versions of the above fittings, 1 lamp per fitting, see page 20.
- For further information concerning colour coding of the glass designs see page 19
- Dimming - 3-100% digital dimming systems are available for all versions of the Sierra Mini & Maxi

18 - 2x42W Compact Fluorescent Downlights

ALEDO

	ALEDO	Code	Dimensions
18W	G24q2 c/w high frequency ballast	SHA18HFWL	Fig 249
26W	G24q3 c/w high frequency ballast	SHA26HFWL	Fig 249
32W	GX24q3 c/w high frequency ballast	SHA32HFWL	Fig 249
42W	GX24q4 c/w high frequency ballast	SHA42HFWL	Fig 249
2x18W	G24q2 c/w high frequency ballast	SHA218HFWL	Fig 249
2x26W	G24q3 c/w high frequency ballast	SHA226HFWL	Fig 249
2x32W	GX24q3 c/w high frequency ballast	SHA232HFWL	Fig 249
2x42W	GX24q4 c/w high frequency ballast	SHA242HFWL	Fig 249

Painted steel gear housing and ultra high purity anodised aluminium reflector. White painted steel bezel and various designs of flush and floating glass. Low glare CAT2 louvre also available. The Aledo is supplied c/w high frequency gear and lamps and panel mounted mains plug/socket arrangement c/w 0.9m mains cable. Suitable for recessed mounting in ceilings up to 20mm in thickness.

Glass Type c/w Fittings	IP Rating	Aledo
Design 11 Flush Clear Glass	44	ADGFLU11
Design 12 Flush Clear Glass Fully Etched	44	ADGFLU12
Design 13 Flush Clear Glass Outer Edge Etched	44	ADGFLU13
Design 14 Floating Clear Glass Outer Edge Etched	20	ADGFLO14
Design 15 Floating Clear Glass Outer Edge Etched, Inner Missing	20	ADGFLO15

Floating Glass/Flush Glass Five basic designs of glass are available for the Aledo all of which can be retro fitted.

13-18W

Compact Fluorescent Downlights

TORRES

	TORRES	Code	Dimensions
13W	GX24q1 c/w high frequency ballast and lamp	MVT13HFWL	Fig 250
18W	GX24q2 c/w high frequency ballast and lamp	MVT18HFWL	Fig 250

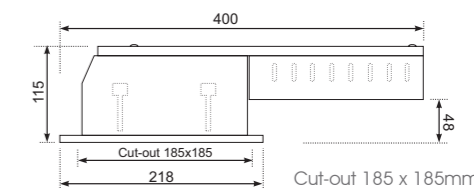
Mini-vertical downlighter for use with 13-18W triple turn compact fluorescent lamps. Plated steel gear housing, ultra high purity part dimpled aluminium reflector and white painted steel rim. The Torres is supplied c/w high frequency gear and lamp and 0.9m mains cable.

- IP20 240Volts, 50Hz - Nominal supply



- IP20/44 240Volts, 50Hz - Nominal supply

Fig. 249

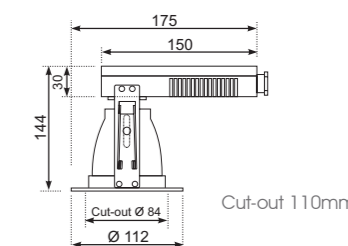


Low-glare Louvres
The ALEDO low-glare (CAT2) louvre can be retro fitted

Louvre Type	ALEDO
Low-glare	ADLGL



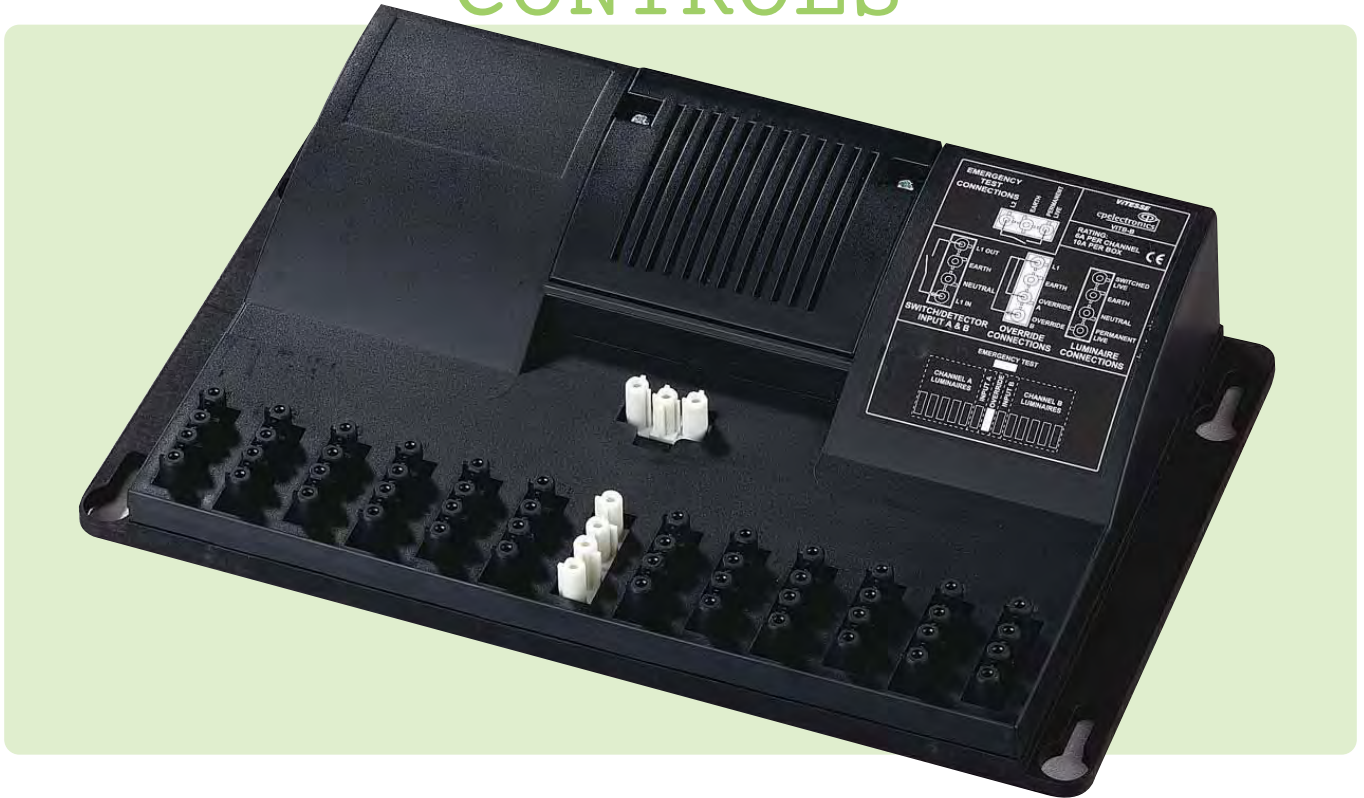
Fig. 250



ALEDO & TORRES

- For remote 3hr emergency versions of the above fittings, 1 lamp per fitting, see page 20.
- For further information concerning colour coding of the glass designs see page 19

ENERGY MANAGEMENT CONTROLS



Hilclare now offers a comprehensive design package for energy management controls for lighting systems in commercial, public and industrial buildings.

Part L2A (2006) of the Building Regulations makes stringent demands on the conservation of fuel and power in new buildings other than dwellings. The contribution made by lighting to the total energy consumption of the typical workplace is significant and can be reduced by employing an appropriate control system.

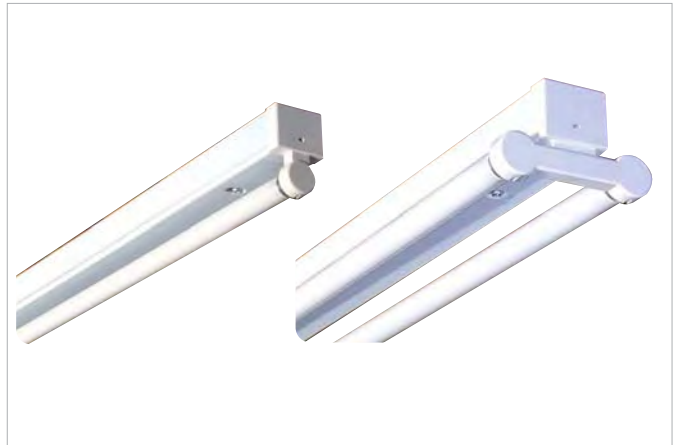
These include a range of passive infra-red and microwave movement detectors, constant light level and dimming controllers and interconnecting systems including marshalling boxes.



Contact our Technical Department for discussion of your requirements with one of our qualified lighting engineers.

HILCLARE
LIGHTING MANUFACTURER

Unit 1, Bond St Ind Estate, Mancunian Way,
Manchester M12 6HW, England
T: +44 (0) 161 274 3626
F: +44 (0) 161-274-3731
E: sales@hilclare.com

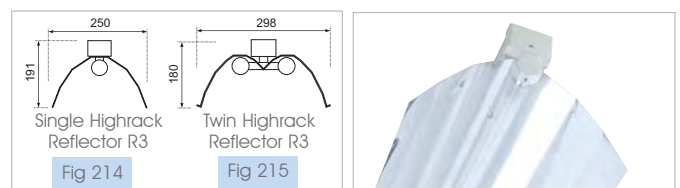
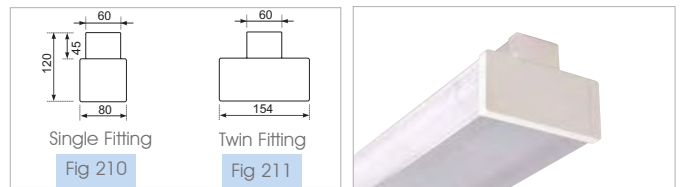
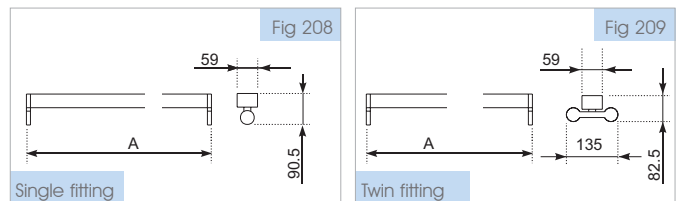


T8 Battens		Code	Dimensions	
			A (mm)	
1 x 18W	c/w switch-start ballast	BT8A 18	617	Fig 208
2 x 18W	c/w high frequency ballast	BT8A2 18	617	Fig 209
1 x 36W	c/w switch-start ballast	BT8A 36	1228	Fig 208
2 x 36W	c/w high frequency ballast	BT8A2 36	1228	Fig 209
1 x 58W	c/w switch-start ballast	BT8A 58	1528	Fig 208
2 x 58W	c/w high frequency ballast	BT8A2 58	1528	Fig 209
1 x 70W	c/w switch-start ballast	BT8A 70	1792	Fig 208
2 x 70W	c/w high frequency ballast	BT8A2 70	1792	Fig 209

A highly functional family of luminaires with a comprehensive range of lamp wattages and accessories

Accessories - ARAXA	Code	Dimensions
Polystyrene Prismatic Diffusers (Clear & Opal) & ABS Endcaps		
Clear prismatic diffuser & end caps	Add D1 to end of the above codes eg BT8A18D1	Figs 210 & 211
Opal prismatic diffuser & end caps	Add D2 to end of the above codes eg BT8A18D2	Figs 210 & 211
Symmetrical Economy Reflectors R1 and R2		
High brightness aluminium economy reflector type R1	Add R1 to end of the above codes eg BT8A258R1	Figs 212 & 213
White dry powder coated steel economy reflector type R2	Add R2 to end of the above codes eg BT8A258R1	Figs 212 & 213
Highrack (Narrow Beam) Reflector R3		
High brightness aluminium highrack reflector type R3	Add R3 to end of the above codes eg BT8A70R3	Figs 214 & 215
Asymmetric Reflector R4		
White dry powder coated steel asymmetric reflector type R4 (for single lamp Araxas only)	Add R4 to the end of the above codes eg BT8A58R4	Fig 216

		Dimensions		
Wire Guards		A	B	Length
1 x 58W	BT8A58WG	110	205	1558
2 x 58W	BT8A258WG	110	205	1558
1 x 70W	BT8A70WG	110	205	1822
2 x 70W	BT8A270WG	110	205	1822



ARAXA

- For High frequency versions of the above single lamp fittings add **HF** to the end of the product codes eg BT8A58**HF**
- **IP20** 240Volts, 50Hz Nominal supply
- **Lamps (T8)** – Not included. Other lamp options by request
- **Dimming** – Dimmable ballast details available on request
- **Electronic starter** – Specify when ordering where required
- **Power Factor** – Power Factor Correction capacitor standard
- **Emergency options** - available on request. Fixing or cable entry via the central hole in the base is not available with emergency versions of the Araxa
- **Accessories** - Comprehensive range available

T5 Battens

1x14W - 2x35W

OTONI



Fig.152

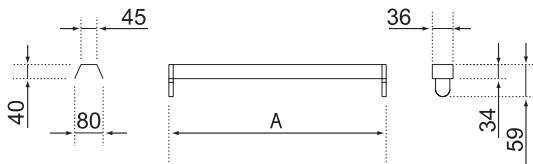
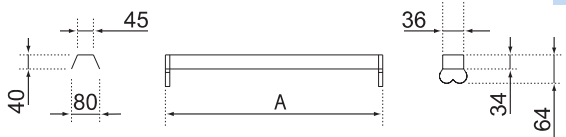


Fig.153



T5 Battens		Code	Dimensions	
			A (mm)	
1 x 14W	c/w high frequency ballast & lamp	BT50 14HFL	582	Fig 152
2 x 14W	c/w high frequency ballast & lamps	BT502 14HFL	582	Fig 153
1 x 28W	c/w high frequency ballast & lamp	BT50 28HFL	1182	Fig 152
2 x 28W	c/w high frequency ballast & lamps	BT502 28HFL	1182	Fig 153
1 x 35W	c/w high frequency ballast & lamp	BT50 35HFL	1482	Fig 152
2 x 35W	c/w high frequency ballast & lamps	BT502 35HFL	1482	Fig 153

Accessories - OTONI		Code	Dimensions
White Dry Powder-Coated Steel Reflector (Referred to as R2)			
1 x 14W	1x14W reflector R2	BT5014R2	Fig 152
2 x 14W	2x14W reflector R2	BT50214R2	Fig 153
1 x 28W	1x28W reflector R2	BT5028R2	Fig 152
2 x 28W	2x28W reflector R2	BT50228R2	Fig 153
1 x 35W	1x35W reflector R2	BT5035R2	Fig 152
2 x 35W	2x35W reflector R2	BT50235R2	Fig 153

IP20 240Volts, 50Hz Nominal supply

Surface Fluorescent

2x14W - 2x54W

CATALUNA

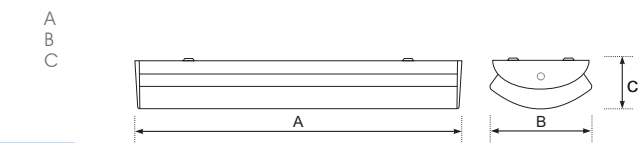


Fig 235

White dry powder coated steel base and prismatic clear polycarbonate diffuser secured to polycarbonate end caps by tamperproof bolts. Wide range of applications including offices, schools, stores and retail areas.

T5 Luminaires		Code	Dimensions
2 x 14W	c/w high frequency ballast & lamp	SFC214HFL	Fig 235
2 x 28W	c/w high frequency ballast & lamp	SFC228HFL	Fig 235
2 x 35W	c/w high frequency ballast & lamp	SFC235HFL	Fig 235
2 x 49W	c/w high frequency ballast & lamp	SFC249HFL	Fig 235
2 x 54W	c/w high frequency ballast & lamp	SFC254HFL	Fig 235

	A	B	C
2 x 14W	580mm	184mm	85mm
2 x 28W	1175mm	184mm	85mm
2 x 35W	1483mm	184mm	85mm
2 x 49W	1483mm	184mm	85mm
2 x 54W	1175mm	184mm	85mm

CATALUNA

- For 3hrs maintained integral emergency add **EM** to the end of the above product codes, eg SFP254**EM**
- IP20 240Volts, 50Hz Nominal supply

- T5 lamp included
- Dimmable ballasts - available on request
- Other lamp versions - available on request

When people talk about quality they mean TridonicAtco.

www.tridonicatco.com

Quality at TridonicAtco is never an end to itself but the basis of a long-term concept that offers our partners an outstanding cost/benefit ratio. This interplay between reliability, innovation and excellent service results in tangible added value. Multi-stage test programs, production tests and final inspection tests guarantee a consistently high level of quality. All processes in our quality and environment management systems are ISO-certified and there are regular audits. Luminaire manufacturers, distributors, electrical wholesalers, lighting planners, electrical installers and end consumers all benefit from lean management, the 6-Sigma philosophy and our internal culture values.



a world of bright ideas®

TRIDONIC.ATCO





3x18W — 4x36W Clean Area Fluorescent Luminaires

(surface mounted) VOLTA

	VOLTA - Surface Mounted	Code	Dimensions
3 x 18W	c/w high frequency ballast	CAV3 18HF	634 x 620 x 86mm
3 x 36W	c/w high frequency ballast	CAV3 36HF	634 x 1230 x 86mm
4 x 18W	c/w high frequency ballast	CAV4 18HF	634 x 620 x 86mm
4 x 36W	c/w high frequency ballast	CAV4 36HF	634 x 1230 x 86mm

Accessories - VOLTA	(Add to end of above product code)
Flat polystyrene prismatic diffuser, fire rating: Tp(b), for use with 634 x 620 fittings	D1
Flat polystyrene prismatic diffuser, fire rating: Tp(b), for use with 634 x 1230 fittings	D5
Flat acrylic prismatic diffuser, fire rating: Tp(a), for use with 634 x 620 fittings	D2
Flat acrylic prismatic diffuser, fire rating: Tp(a), for use with 634 x 1230 fittings	D6
Flat p.e.t.g. prismatic diffuser, fire rating: Tp(a), for use with 634 x 620 fittings	D3
Flat p.e.t.g. prismatic diffuser, fire rating: Tp(a), for use with 634 x 1230 fittings	D7
Flat polycarbonate prismatic diffuser, fire rating: Tp(a), for use with 634 x 620 fittings	D4
Flat polycarbonate prismatic diffuser, fire rating: Tp(a), for use with 634 x 1230 fittings	D8



Both the Volta and Otara are fully boxed with white powder coated steel bodies and diffuser holder c/w a comprehensive range of diffusers. Ideal for clean room, laboratory, and food preparation areas.

	OTARA - Recessed	Code	Dimensions
3 x 18W	c/w high frequency ballast	CAO3 18HF	595 x 595 x 105mm
3 x 36W	c/w high frequency ballast	CAO3 36HF	595 x 1195 x 105mm
4 x 18W	c/w high frequency ballast	CAO4 18HF	595 x 595 x 105mm
4 x 36W	c/w high frequency ballast	CAO4 36HF	595 x 1195 x 105mm

Accessories - OTARA	(Add to end of above product code)
Flat polystyrene prismatic diffuser, fire rating: Tp(b), for use with 595 x 595 fittings	D1
Flat polystyrene prismatic diffuser, fire rating: Tp(b), for use with 595 x 1195 fittings	D5
Flat acrylic prismatic diffuser, fire rating: Tp(a), for use with 595 x 595 fittings	D2
Flat acrylic prismatic diffuser, fire rating: Tp(a), for use with 595 x 1195 fittings	D6
Flat p.e.t.g. prismatic diffuser, fire rating: Tp(a), for use with 595 x 595 fittings	D3
Flat p.e.t.g. prismatic diffuser, fire rating: Tp(a), for use with 595 x 1195 fittings	D7
Flat polycarbonate prismatic diffuser, fire rating: Tp(a), for use with 595 x 595 fittings	D4
Flat polycarbonate prismatic diffuser, fire rating: Tp(a), for use with 595 x 1195 fittings	D8

(recessed) OTARA



Dimming – Dimmable ballast details available on request.

VOLTA and OTARA

- For 3hrs maintained emergency versions of the above fittings add **EM** to the product codes, for example CAV418**EM**
- **Lamps (T8)** - Not included
- **IP55** 240 Volts 50Hz – Nominal supply



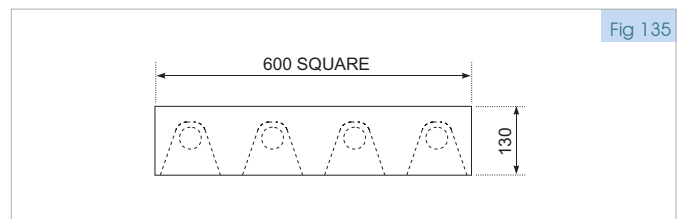
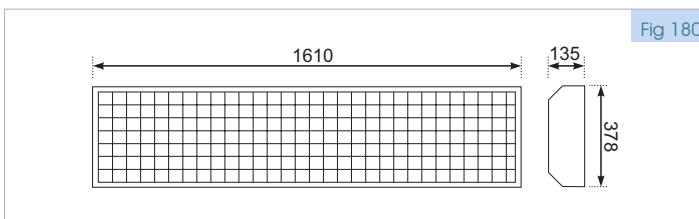
4x54W – 4x58W Surface/Suspended Sports-Hall Luminaire

CRUZ

	CRUZ	Code	Dimensions
4 x 54W	T5 c/w high frequency ballast & lamps	SHC4 54HFL	Fig 180
4 x 55W	TCL c/w high frequency ballast & lamps	SHC4 55HFL	Fig 135
4 x 58W	T8 c/w high frequency ballast	SHC4 58HF	Fig 180

A fully boxed white powder coated steel base and hinged protective gridded cover. Grille cover secured to base by steel, snap action fasteners. Applications include sports-halls, gymnasia and many commercial/industrial environments.

Other lamp versions available on request



4x55W – 8x55W IP22 Compact Fluorescent Low Bay

VARAS

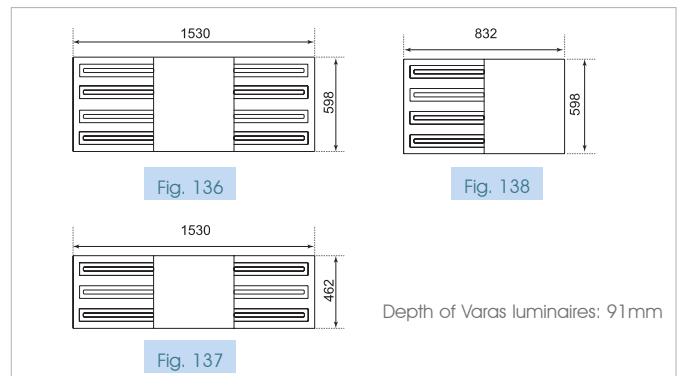
	VARAS	Code	Dimensions
4 x 55W	TCL Fitting c/w integral high frequency ballast & lamps	LBV4 55HFL	Fig 138
6 x 55W	TCL Fitting c/w integral high frequency ballast & lamps	LBV6 55HFL	Fig 137
8 x 55W	TCL Fitting c/w integral high frequency ballast & lamps	LBV8 55HFL	Fig 136

Low profile, white pre-coated polyester, steel construction. Detachable gear housing cover for easy access to gear. Ultra-high purity bright finish anodised reflector. Direct mounting either to trunking or ceiling plus the capability for suspension by chain or steel wire.

Accessories - VARAS	Code
Clear polycarbonate diffuser for 3 lamps (2 units required for 6 lamp version)	LBVCPD3
Clear polycarbonate diffuser for 4 lamps (2 units required for 8 lamp version)	LBVCPD4
Wire guard for 3 lamps (2 units required for 6 lamp version)	LBWVG3
Wire guard for 4 lamps (2 units required for 8 lamp version)	LBWVG4
Auto locking suspension kit c/w 1.5mm dia steel wire sufficient to suspend a single Varas luminaire. 1.7m max distance from suspension point to luminaire.	LBVASK
Trunking Fixing Kit	LBVTK

Higher IP rated versions of the Varas are available on request

For versions c/w racking reflector insert R before L in product code eg LBV455HFRL



CRUZ and VARAS

- Integral 3 hour maintained emergency systems - available on request.
- High frequency digital dimming gear - available on request.
- Alternate lamp switching facility - available on request.
- Mounting heights 5 -10m.
- For lamp colour temperatures - See page 100
- IP20 - 240 Volts 50Hz - Nominal supply
- Integral pir/motion detectors and energy management systems available with the Varas

Starcoat™ T5

High Efficiency and High Output with 30 000 hours life!

The elegant, slim Starcoat™ T5 fluorescent lamps are environmentally friendly, have an extremely long life and save energy.

High Efficiency:

- Offers High Lumens per Watt
- Ideally suited to commercial and retail application in both direct and combined direct/indirect luminaires.
- Saves energy

High Output:

- Offers High Lumen Package
- Ideally suited for indirect luminaires and uplighting in warehouses and high-bay applications

Lamp Operation:

- Starcoat™ T5 lamps were designed to reach their maximum luminous flux at an ambient draft-free air temperature of 35°C. As the cold spot is situated near the metal cap, the temperature of the cap can tell how close the mercury vapour pressure is to the optimum: a cap temperature of approx. 43°-45°C corresponds to conditions resulting in maximum light output in a stabilized T5 lamp.

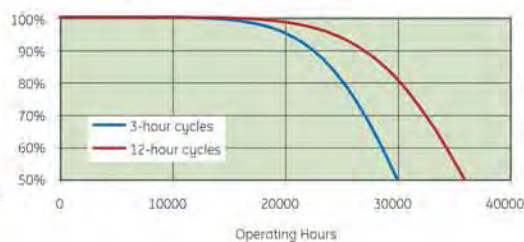
System Design Considerations:

- If the design of the luminaire allows higher or lower ambient temperature than 35°C the luminous output will be different from the designed maximum light output. In cases where additional cathode heating is applied by an electronic ballast during lamp operation, power dissipation may substantially increase the temperature of the cold chamber located behind the electrode. This might result in a shift of the peak light output toward temperature ranges below 35°C. Air movement within the luminaires can also substantially affect the light output of the T5 lamps since it may also change the cold spot temperature. Consult OEM fixture Manufacturer Photometric tests for more detail on thermal and light output effects (photometrics).

Lamp Service Life



Lamp Survival Rate



GE imagination at work

CAZORLA

T8		Dimensions (Fig 39)			
		A	B	C	
1 x 18W	c/w switch-start ballast	CR 18	570mm	100mm	90mm
2 x 18W	c/w high frequency ballast	CR 218	570mm	160mm	90mm
1 x 36W	c/w switch-start ballast	CR 36	1280mm	100mm	90mm
2 x 36W	c/w high frequency ballast	CR 236	1280mm	160mm	90mm
1 x 58W	c/w switch-start ballast	CR 58	1580mm	100mm	90mm
2 x 58W	c/w high frequency ballast	CR 258	1580mm	160mm	90mm
1 x 70W	c/w switch-start ballast	CR 70	1880mm	110mm	100mm
2 x 70W	c/w high frequency ballast	CR2 70	1880mm	170mm	100mm

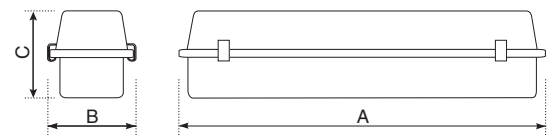
Injection moulded grey polycarbonate body, clear prismatic polycarbonate diffuser, c/w stainless steel securing clips and closed cell silicone gasket. Pre-coated gear tray secured by 90° turn buckles, with suspension lanyards for easy installation and maintenance. Stainless steel securing brackets are available to help maintain the IP integrity of the body moulding when either surface mounting or suspending the Cazorla range of luminaires.

T5		Dimensions (Fig 39)		
	c/w high frequency ballast and lamp(s)	A	B	C
1 x 28W	CR28HFL	1280mm	100mm	90mm
2 x 28W	CR228HFL	1280mm	160mm	90mm
1 x 35W	CR35HFL	1580mm	100mm	90mm
2 x 35W	CR235HFL	1580mm	160mm	90mm
1 x 49W	CR49HFL	1580mm	100mm	90mm
2 x 49W	CR249HFL	1580mm	160mm	90mm
1 x 54W	CR54HFL	1280mm	100mm	90mm
2 x 54W	CR254HFL	1280mm	160mm	90mm
1 x 80W	CR80HFL	1580mm	100mm	90mm
2 x 80W	CR280HFL	1580mm	160mm	90mm

Accessories - CAZORLA	Code
Suspension securing kit for single lamp Cazorla	CRSSB1
Suspension securing kit for twin lamp Cazorla	CRSSB2



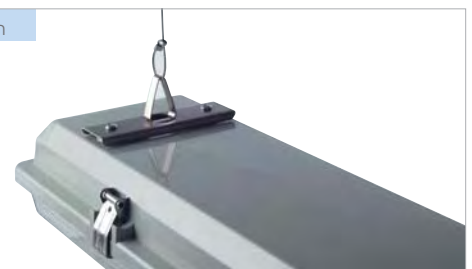
Fig. 39



Single Suspension



Twin Suspension



CAZORLA

- For High frequency versions of the above T8 single fittings add **HF** to the end of the product codes for example CR18**HF**
- **IP 65** 240 Volts 50Hz - Nominal supply
- **Lamps (T8)** - Not included
- **Stainless steel clips** - Supplied as standard - can be provided with security screws
- **Installation** - By chain suspension, or direct onto non-flammable surface
- Maintained emergency not available in the 2 x 80W Cazorla
- **Lamps (T5)** - included
- Maintained emergency versions of the Cazorla are only available with high frequency gear
- For 3HR maintained integral emergency add **EM** to the end of the above product codes for example CR236 **HFEM**
- For non-maintained add **ENM** to the end of the above product codes for example CR18**ENM**
- **Optional Extras** - Specify when ordering
Electronic Starter
High Power Factor versions for 18W
- Power Factor Correction Capacitor fitted as standard in all 36W, 58W and 70W switch-start versions

PADRENA

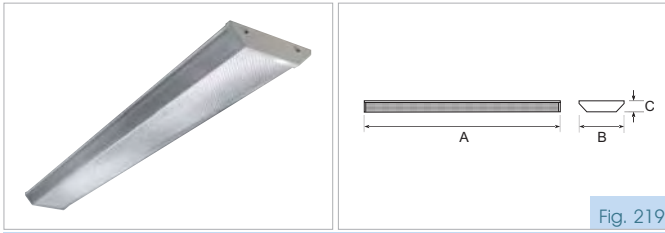


Fig. 219

Surface mounted luminaire designed for corridors, study rooms and other school areas. White powder coated steel base and prismatic polycarbonate diffuser. Polycarbonate end caps secured by tamper proof or conventional steel bolts. The Padrena is supplied c/w high frequency ballasts and lamp(s).

	Code	Dimensions			
		A	B	C	
1 x 28W	VRP28HFL	1190	200	50	Fig 219
2 x 28W	VRP228HFL	1190	200	50	Fig 219
1 x 35W	VRP35HFL	1480	200	50	Fig 219
2 x 35W	VRP235HFL	1480	200	50	Fig 219
1 x 49W	VRP49HFL	1480	200	50	Fig 219
2 x 49W	VRP249HFL	1480	200	50	Fig 219

Accessories - PADRENA		Code
End-cap tamper proof securing screws		VRPTS
IP20 - 240 Volts, 50Hz Nominal supply		

ALMERIA

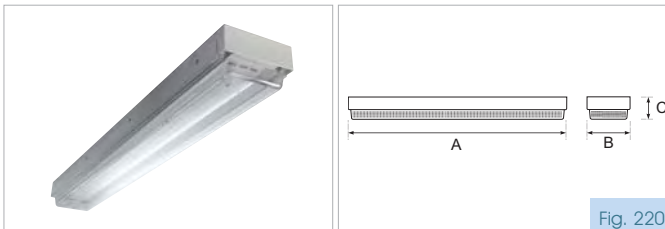


Fig. 220

Surface mounted luminaire designed for secure areas. Rigid white powder coated steel base and prismatic polycarbonate diffuser secured by tamper proof steel bolts. The Almeria is supplied c/w high frequency ballasts and lamp(s).

	Code	Dimensions			
		A	B	C	
1 x 28W	VRA28HFL	1270	180	110	Fig 220
2 x 28W	VRA228HFL	1270	180	110	Fig 220
1 x 35W	VRA35HFL	1573	180	110	Fig 220
2 x 35W	VRA235HFL	1573	180	110	Fig 220
1 x 49W	VRA49HFL	1573	180	110	Fig 220
2 x 49W	VRA249HFL	1573	180	110	Fig 220
1 x 54W	VRA54HFL	1270	180	110	Fig 220
2 x 54W	VRA254HFL	1270	180	110	Fig 220

IP54 - 240 Volts, 50Hz Nominal supply

MANGA

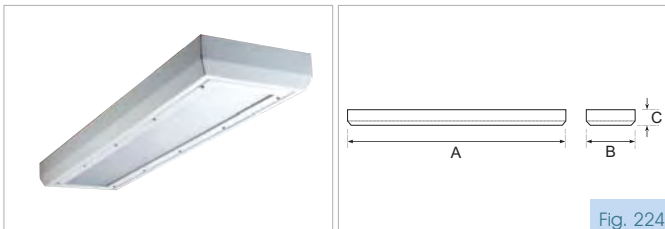


Fig. 224

Surface mounted luminaire with the added security of a flat diffuser and a low profile. Rigid white powder coated steel base and diffuser frame and clear prismatic polycarbonate diffuser secured by tamper proof bolts. The Manga is supplied c/w high frequency ballasts and lamp(s).

	Code	Dimensions			
		A	B	C	
2 x 14W	VRM214HFL	710	235	73	Fig 224
2 x 28W	VRM228HFL	1320	235	73	Fig 224
2 x 35W	VRM235HFL	1630	235	73	Fig 224
2 x 55W	VRM255HFL	680	235	73	Fig 224

IP54 - 240 Volts, 50Hz Nominal supply

TARIFA

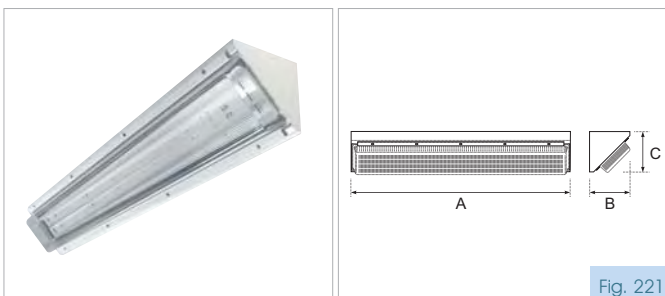


Fig. 221

Surface mounted cornice luminaire designed for secure areas. Rigid white powder coated steel base and clear prismatic polycarbonate diffuser secured by tamper proof steel bolts. The Tarifa is supplied c/w high frequency ballasts and lamp(s).

	Code	Dimensions			
		A	B	C	
1 x 28W	VRT28HFL	1270	154	154	Fig 221
2 x 28W	VRT228HFL	1270	154	154	Fig 221
1 x 35W	VRT35HFL	1573	154	154	Fig 221
2 x 35W	VRT235HFL	1573	154	154	Fig 221
1 x 49W	VRT49HFL	1573	154	154	Fig 221
2 x 49W	VRT249HFL	1573	154	154	Fig 221
1 x 54W	VRT54HFL	1270	154	154	Fig 221
2 x 54W	VRT254HFL	1270	154	154	Fig 221

IP54 - 240 Volts, 50Hz Nominal supply

	Code	Dimensions			
		A	B	C	
1 x 28W	VRG28HFL	1270	154	154	Fig 222
2 x 28W	VRG228HFL	1270	154	154	Fig 222
1 x 35W	VRG35HFL	1573	154	154	Fig 222
2 x 35W	VRG235HFL	1573	154	154	Fig 222
1 x 49W	VRG49HFL	1573	154	154	Fig 222
2 x 49W	VRG249HFL	1573	154	154	Fig 222
1 x 54W	VRG54HFL	1270	154	154	Fig 222
2 x 54W	VRG254HFL	1270	154	154	Fig 222

IP54 - 240 Volts, 50Hz Nominal supply

	Code	Dimensions			
		A	B	C	
1 x 28W	VRL28HFL	1320	160	154	Fig 223
2 x 28W	VRL228HFL	1320	160	154	Fig 223
1 x 35W	VRL35HFL	1630	160	154	Fig 223
2 x 35W	VRL235HFL	1630	160	154	Fig 223
1 x 49W	VRL49HFL	1630	160	154	Fig 223
2 x 49W	VRL249HFL	1630	160	154	Fig 223

IP54 - 240 Volts, 50Hz Nominal supply

		Code	Dimensions
16W2D	c/w high frequency Ballast	DLS2D16BPHFLSS	Fig 57
28W2D	c/w high frequency Ballast	DLS2D28BPHFLSS	Fig 57
38W2D	c/w high frequency Ballast	DLS2D38BPHFLSS	Fig 57

IP65 - 240 Volts, 50Hz Nominal supply

White base and/or opal diffuser and integral emergency versions are also available

		Code	Dimensions
16W2D	c/w high frequency Ballast	DLV2D16BPHFLSS	Fig 106
28W2D	c/w high frequency Ballast	DLV2D28BPHFLSS	Fig 106
38W2D	c/w high frequency Ballast	DLV2D38BPHFLSS	Fig 106

IP65 - 240 Volts, 50Hz Nominal supply

White base and/or opal diffuser and integral emergency versions are also available

	Code	Dimensions			
		A	B		
16W2D	c/w high frequency Ballast	SDLA164HFL	530	125	Fig 225
16W2D	c/w high frequency Ballast	SDLA165HFL	620	125	Fig 225
28W2D	c/w high frequency Ballast	SDLA284HFL	530	125	Fig 225
28W2D	c/w high frequency Ballast	SDLA285HFL	620	125	Fig 225
2x26WPLC	c/w high frequency Ballast	SDLA2264HFL	530	125	Fig 225
2x26WPLC	c/w high frequency Ballast	SDLA2265HFL	620	125	Fig 225
3x26WPLC	c/w high frequency Ballast	SDLA3265HFL	620	125	Fig 225

IP20 - 240 Volts, 50Hz Nominal supply

Integral emergency versions also available

GUARO

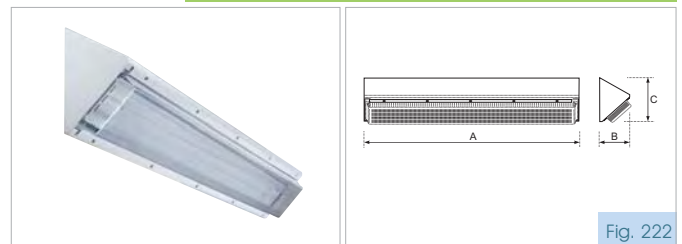


Fig. 222

Surface mounted cornice/wall luminaire with a top face sloping downwards for added security. Rigid white powder coated steel base and prismatic polycarbonate diffuser secured by tamper proof steel bolts. The Guaro is supplied c/w high frequency ballast and lamp(s)

LORCA

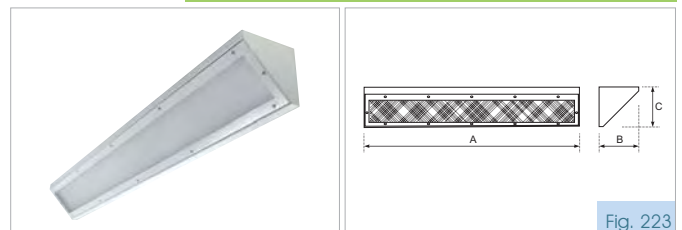


Fig. 223

Surface mounted cornice luminaire with the added security of a flat diffuser. Rigid white powder coated steel base and prismatic polycarbonate diffuser secured by tamper proof bolts. The Lorca is supplied c/w high frequency ballast and lamp(s)

SANTOS

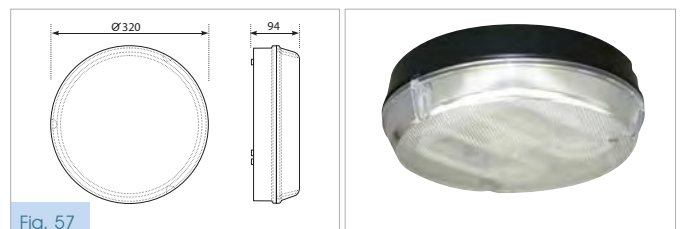


Fig. 57

Surface mounted luminaire with black powder coated resilient diecast aluminium base and prismatic polycarbonate diffuser. Diffuser secured by tamper proof bolts. The Santos is supplied c/w high frequency ballast and lamp.

VIGO

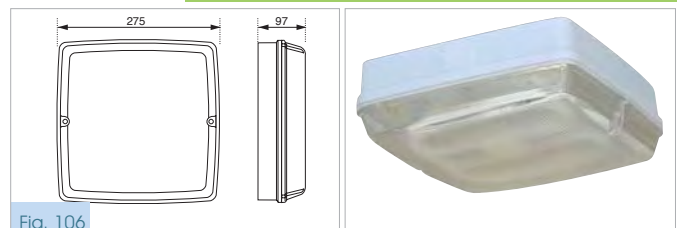


Fig. 106

Surface mounted luminaire with black powder coated resilient diecast aluminium base and prismatic polycarbonate diffuser. Diffuser secured by tamper proof bolts. The Vigo is supplied c/w high frequency ballast and lamp.

DELGADO 3

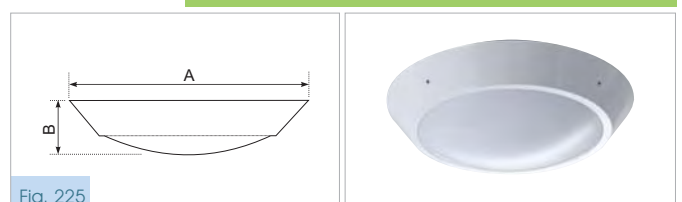


Fig. 225

Surface mounted luminaire for secure areas. Resilient opal polycarbonate diffuser bolted to rigid white powder coated steel base. Rigid white powder coated steel outer skirt, with angled profile for additional security, secured to the base by four tamper proof bolts. The Delgado 3 is supplied c/w high frequency ballast and lamp.



16 – 38W IP54 Amenity Circular Bulkhead

COMO

A versatile and attractive range of circular surface/semi-recessed luminaries with a snap fit diffuser suitable for interior and exterior locations. White base, opal polycarbonate diffuser.

White polycarbonate base, opal polycarbonate diffuser

		Code	Dimensions
16W2D	c/w switch-start ballast and lamp	DLC2D 16L	Fig 130
28W2D	c/w switch-start ballast and lamp	DLC2D 28L	Fig 130
38W2D	c/w switch-start ballast and lamp	DLC2D 38L	Fig 130

White polycarbonate base, opal polycarbonate diffuser high frequency ballast & lamp

		Code	Dimensions
16W2D	c/w high frequency ballast and lamp	DLC2D 16HFL	Fig 130
28W2D	c/w high frequency ballast and lamp	DLC2D 28HFL	Fig 130
38W2D	c/w high frequency ballast and lamp	DLC2D 38HFL	Fig 130

Accessories - COMO	Code	Dimensions
Decorative trim 1, white	DLCT1W	Fig 131
Decorative trim 1, chrome (for internal use only)	DLCT1C	Fig 131
Decorative trim 1, stainless steel	DLCT1S	Fig 131
Decorative trim 2, white	DLCT2W	Fig 132
Decorative trim 2, chrome (for internal use only)	DLCT2C	Fig 132
Decorative trim 2, stainless steel	DLCT2S	Fig 132
Semi-Recessing Kit	DLC2SRK	

- The Como is available with 16W and 28W integral maintained or non-maintained emergency units with switch-start/h.f. ballast options.
- For maintained emergency versions add **EM** and for non-maintained add **NEM** to the end of the product codes
- **IP 54** 240 Volts 50Hz - Nominal supply

Note: other colours of decorative trim are available on request

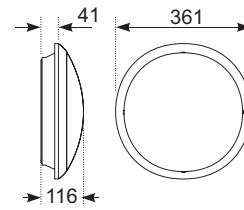
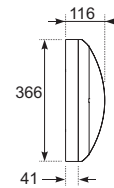


Fig. 130



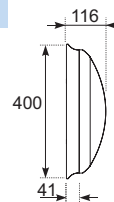
Cut-out for semi-recessing \varnothing 320

Fig. 131



Luminaire c/w chrome decorative trim 1

Fig. 132



Luminaire c/w stainless steel decorative trim 2

16 – 2x26W Slimline Decorative Surface

CASMA

425mm diameter, opal diffuser, white translucent base

		Code	Dimensions
16W2D	c/w switch-start ballast and lamp	SDC 164WOL	Fig 133
28W2D	c/w switch-start ballast and lamp	SDC 284WOL	Fig 133
38W2D	c/w switch-start ballast and lamp	SDC 384WOL	Fig 133
2 x 26W PLC	c/w switch-start ballast and lamp	SDC2 264WOL	Fig 133

- **COLOUR OPTIONS** - Specify when ordering
Clear prismatic diffuser replace **O** with **CP** in the above codes
White translucent base c/w chrome trim place **C** after **W** in the above codes
White translucent base c/w brass trim place **B** after **W** in the above codes
Fully metallised chromed base and trim replace **W** with **MC** in the above codes
Fully metallised brass base and trim replace **W** with **MB** in the above codes
Translucent blue base replace **W** with **B** in the above codes
Translucent green base replace **W** with **G** in the above codes
Translucent red base replace **W** with **R** in the above codes

- **High Frequency Emergency** versions are available for 16W, 28W and 38W. Replace **L** with **HFLEM** in the above codes.
- High Frequency Ballast(s) Add **'HF'** in front of the **'L'** of product code e.g. SDC284W**HF**L
- A number of **decorative trims** are available for the Casma on request
- **Semi-Recessing Kit** Specify code **SDCSRK**
- **IP 20** 240 Volts 50Hz - Nominal supply

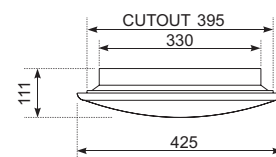
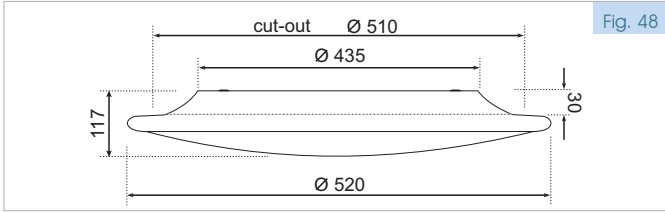
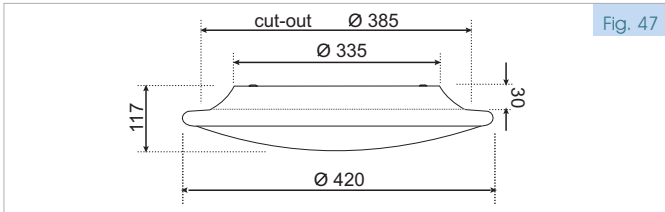
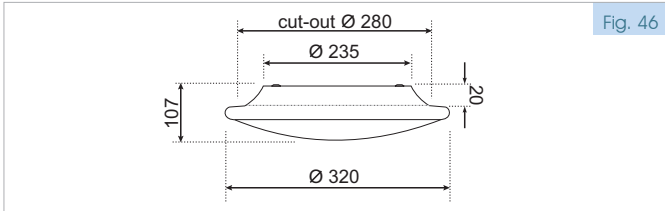


Fig. 133

Injection moulded circular polycarbonate base and snap fit polycarbonate diffuser. Base is available in numerous semi-transparent colours giving an attractive halo effect and either trimmed or fully metallised with a brass or chrome finish.

DELGADO 1



Spun aluminium circular base, white dry powder coated and other mild steel versions with various colour effects. Opal or clear prismatic polycarbonate diffuser, snap-fit secured to base via 4 spring clips. Switch-start ballast standard, lamp included. Unique coloured halo option also available.

		Code	Dimensions
16W 2D	Fitting c/w white base switch-start ballast & lamp	SDL 163L	Fig 46
28W 2D	Fitting c/w white base switch-start ballast & lamp	SDL 283L	Fig 46
38W 2D	Fitting c/w white base switch-start ballast & lamp	SDL 383L	Fig 46

Emergency - Remote only. Maintained or non-maintained

		Code	Dimensions
16W 2D	Fitting c/w white base switch-start ballast & lamp	SDL 164L	Fig 47
28W 2D	Fitting c/w white base switch-start ballast & lamp	SDL 284L	Fig 47
38W 2D	Fitting c/w white base switch-start ballast & lamp	SDL 384L	Fig 47
2 x 26W PLC	Fitting c/w white base switch-start ballast & lamp	SDL 2264L	Fig 47

Emergency Versions - see page 38

		Code	Dimensions
16W 2D	Fitting c/w white base switch-start ballast & lamp	SDL 165L	Fig 48
28W 2D	Fitting c/w white base switch-start ballast & lamp	SDL 285L	Fig 48
38W 2D	Fitting c/w white base switch-start ballast & lamp	SDL 385L	Fig 48
2 x 26W PLC	Fitting c/w white base switch-start ballast & lamp	SDL 2265L	Fig 48
3 x 26W PLC	Fitting c/w white base switch-start ballast & lamp	SDL 3265L	Fig 48

Emergency Versions - see page 38

DELGADO 1

- **IP 20** 240 Volts 50Hz - Nominal supply
- **Base Colour Choice** - Add suffix to product code as follows:
 'W' - White painted aluminium
 'B' - Brass effect painted aluminium
 'S' - Silver anodised aluminium
 'BP' - Brass plated steel
 'CP' - Chrome plated steel
- **Diffuser Choice** - Add suffix to product code as follows:
 'O' - Opal 'P' - Prismatic
- **High Frequency Ballast(s)** - Add 'HF' in front of the 'L' of product code e.g. SDL384HFL
- **Night Light Facility** (for SDL520mmØ) 5WPL separate facility on request
- **Semi-Recessing Kit** - Specify code SDL SRK
- **Dimming** - Dimmable ballast details available on request
- **Legends** - various emergency and general signage legends are available on request.
- **Halo Effect** - A discreet and attractive halo effect is produced by the incorporation of several miniature halo windows on the underside of the luminaire rim. Colour options are clear, red, amber, green and blue. Add **HC** or **HR** etc to the end of the product code eg SDL165LHR. White mounting surfaces are recommended to optimise the halo effect.

DELGADO 2

Spun mild steel circular base, with dry white powder coat finish c/w opal polycarbonate diffuser secured by 3 nuts to threaded studs in base. Switch-start ballast standard, lamp included. Supplied c/w special nut-driver.

	Ø320	Code	Dimensions
16W 2D	Fitting c/w white base switch-start ballast & lamp	SDLE 163L	Fig 72
28W 2D	Fitting c/w white base switch-start ballast & lamp	SDLE 283L	Fig 72
38W 2D	Fitting c/w white base switch-start ballast & lamp	SDLE 383L	Fig 72

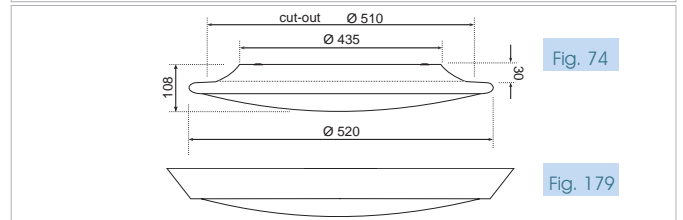
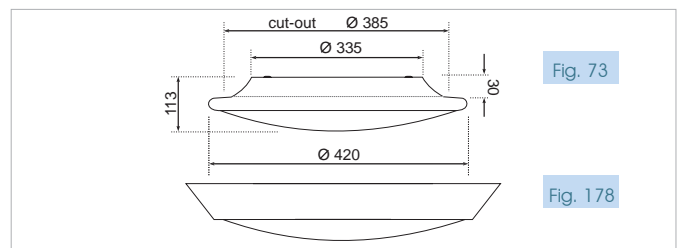
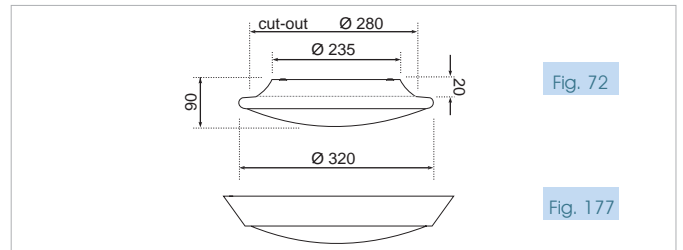
Accessory	Code	Dimensions
White decorative trim	DTW320	Fig 73

	Ø420	Code	Dimensions
16W 2D	Fitting c/w white base switch-start ballast & lamp	SDLE 164L	Fig 73
28W 2D	Fitting c/w white base switch-start ballast & lamp	SDLE 284L	Fig 73
38W 2D	Fitting c/w white base switch-start ballast & lamp	SDLE 384L	Fig 73
2 x 26W PLC	Fitting c/w white base switch-start ballast & lamp	SDLE 2264L	Fig 73

Accessory	Code	Dimensions
White decorative trim	DTW420	Fig 178

	Ø520	Code	Dimensions
16W 2D	Fitting c/w white base switch-start ballast & lamp	SDLE 165L	Fig 74
28W 2D	Fitting c/w white base switch-start ballast & lamp	SDLE 285L	Fig 74
38W 2D	Fitting c/w white base switch-start ballast & lamp	SDLE 385L	Fig 74
2 x 26W PLC	Fitting c/w white base switch-start ballast & lamp	SDLE 2265L	Fig 74
3 x 26W PLC	Fitting c/w white base switch-start ballast & lamp	SDLE 3265L	Fig 74

Accessory	Code	Dimensions
White decorative trim	DTW520	Fig 179



Emergency – Add codes indicated to SDL & SDLE product codes.

Watt	Remote (any fitting)			Diameter Ø Fittings	Integral	
	M Maintained	NM Non Maintained	M Maintained		Ballast Type	
					Switch Start (SS)	High Frequency (HF)
16	–	RENM	EM	420mm or 520mm	SS or	HF
28	–	RENM	EM	420mm or 520mm	SS or	HF
38	–	RENM	EM	420mm or 520mm	–	HF only
1X26	–	–	EM	420mm or 520mm	–	HF only
2X26	–	–	EM	420mm or 520mm	–	HF only
3X26	–	–	EM	520mm	–	HF only

DELGADO 2

- Different colour versions of the circular base are available on request
- **For Multi-Lamp Fittings** - Maintained emergency on one lamp only.
- **High Frequency Ballast(s)** - Specify by adding 'HF' in front of the 'L' in product code e.g. SDLE2265HFL
- **Anfi-ligature Versions** - of the Delgado 2 are available on request
- **Dimming** - Dimmable ballast details available on request
- **Night Light Option** - for SDLE 520mmØ - 5WPL separate circuit facility on request
- **Legends** - various emergency and general signage legends are available on request.
- **IP20** 240Volts 50Hz - Nominal supply



CASTELLAR

	CASTELLAR	Code	Dimensions
28W 2D	c/w high frequency & lamp	SDC28HFL	Fig 226
38W 2D	c/w high frequency ballast & lamp	SDC38HFL	Fig 226
2 x 24W TCL	c/w high frequency ballast & lamps	SDC224HFL	Fig 226

White dry powder coated mild steel base with slotted side panels offers a subtle horizontal backlight on mounting surface. Dry powder coated curved diffuser frame and opal polycarbonate diffuser secured by four decorative chromed bolts results in a highly attractive wall mounted luminaire.

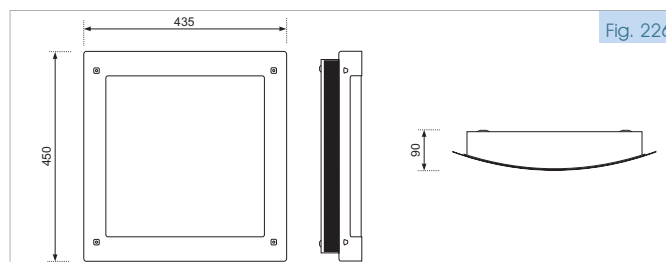


Fig. 226

LINDOSO

	LINDOSO	Code	Dimensions
2 x 14W T5	c/w high frequency ballast & lamp	SDL214HFL	Fig 227
2 x 24W T5	c/w high frequency ballast & lamp	SDL224HFL	Fig 227
2 x 40W TCL	c/w high frequency ballast & lamp	SDL240HFL	Fig 227
2 x 55W TCL	c/w high frequency ballast & lamp	SDL255HFL	Fig 227

The Lindoso is the rectangular shaped version of the Castellar with a white dry powder coated steel base and curved polycarbonate diffuser and steel frame secured by four decorative chromed bolts. Slotted side panels also offer an equivalent sideways backlight on the mounting surface. The Lindoso is supplied c/w lamps.

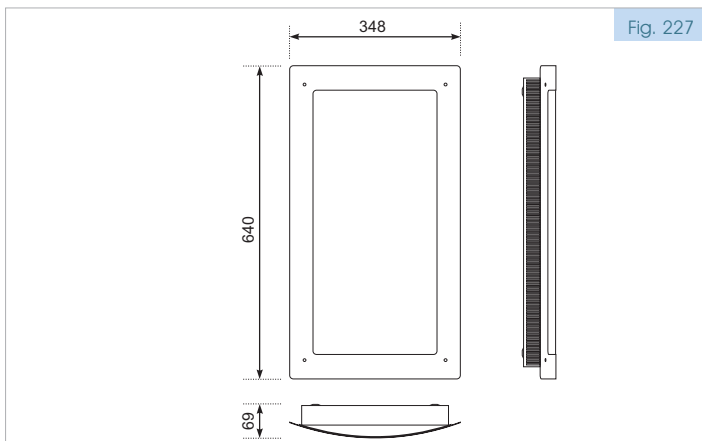


Fig. 227



CASTELLAR and LINDOSO

- **Dimming** - Dimmable ballast details available on request
- **Multi-lamp fittings** - Maintained emergency on one lamp only
- Integral emergency versions of the above luminaires are available on request
- Different colour versions of the Castellar and Lindoso are available on request
- Different designs of diffuser frame are also available on request
- **IP20** 240Volts 50Hz - Nominal supply

AVILA

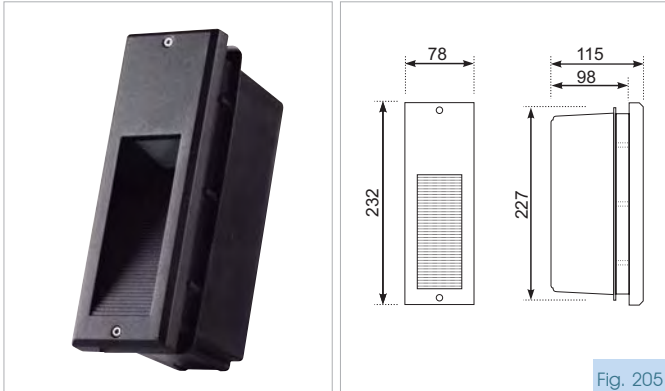


Fig. 205

A discrete low powder, low glare recessed wall luminaire with a range of coloured LED options. White fascia and reflector. For way/route indication and local area design enhancement

AVILA	Code	Dimensions
Light emitting diode (LED) lamp source (blue)	RWALB	Fig 205

For red, green, amber, white replace **B** with **R, G, A, W** in the code, eg RWAL**R**

JOSE

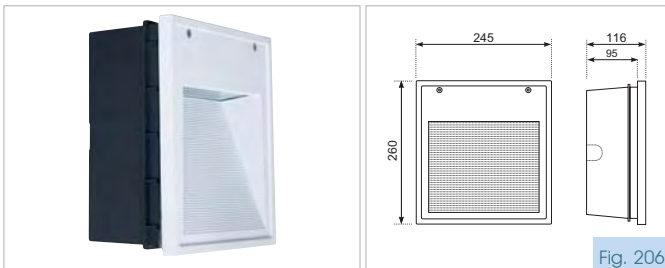


Fig. 206

A higher powered range of low glare recessed luminaires complimentary in appearance to the Avila. Metal halide and compact fluorescent lamp options and a range of coloured filters which offer a subdued colour effect

JOSE	Code	Dimensions
26W PL G24d3 c/w switch-start ballast & lamp	RWJPL26L	Fig 206
35W Ceramic metal halide c/w gear & lamp	RWJH35TLC	Fig 206

Accessory - JOSE	Code
Blue filter	RWJFB

For red, green, amber filter, replace **B** with **R, G, A** in the code, eg RWJ**F**R

MAHON

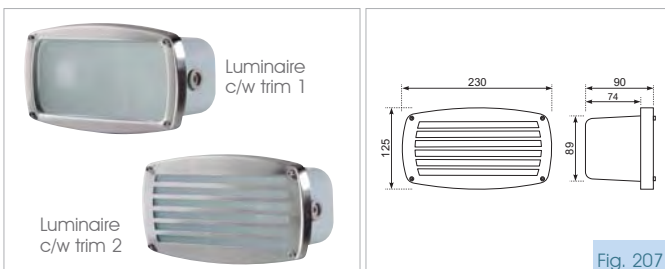


Fig. 207

For stainless steel trim 2 replace **1**, before **L**, with **2** in the order code, eg RWMPL18**2**L

A compact recessed wall/brick light complete with two attractive 316 grade stainless steel trim options and frosted glass diffuser

MAHON	Code	Dimensions
18W PL G24d2 c/w switch-start ballast, lamp & trim 1	RWMPL181L	Fig 207

Other lamp versions - available on request

AVILA, JOSE and MAHON

IP 44 240 Volts 50Hz - Nominal supply

Recessed & Surface Display Luminaires 35 - 150W

DEGANO

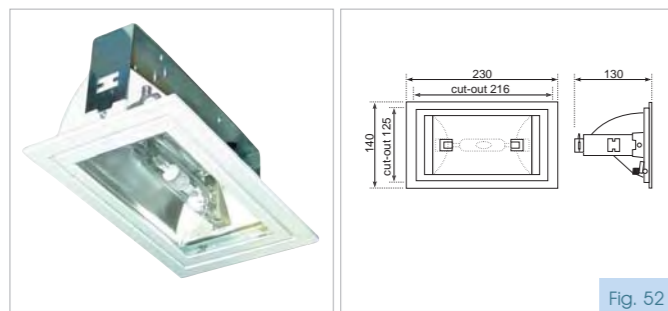


Fig. 52

	Recessed Adjustable c/w white bezel	Code	Dimensions
70W	Metal Halide	DDLH 70RTL	Fig 52
70W	Ceramic Metal Halide	DDLH 70RTL	Fig 52
150W	Metal Halide	DDLH 150RTL	Fig 52
150W	Ceramic Metal Halide	DDLH 150RTL	Fig 52

All Degano luminaires are c/w double-ended Rx7s lamp and lampholder and remotely boxed ballast, timed ignitor and capacitor.

DIMA



Fig. 53

	Recessed Adjustable Eyeball c/w white bezel	Code	Dimensions
35W	35W Ceramic Metal Halide	DDLH 35ETLC	Fig 53
70W	70W Metal Halide	DDLH 70ETL	Fig 53
70W	70W Ceramic Metal Halide	DDLH 70ETLC	Fig 53
150W	150W Metal Halide	DDLH 150ETL	Fig 53
150W	150W Ceramic Metal Halide	DDLH 150ETLC	Fig 53

All Dima luminaires are c/w G12 lamp and lampholder and remotely boxed ballast, timed ignitor and capacitor.

DONIS & DORIGA

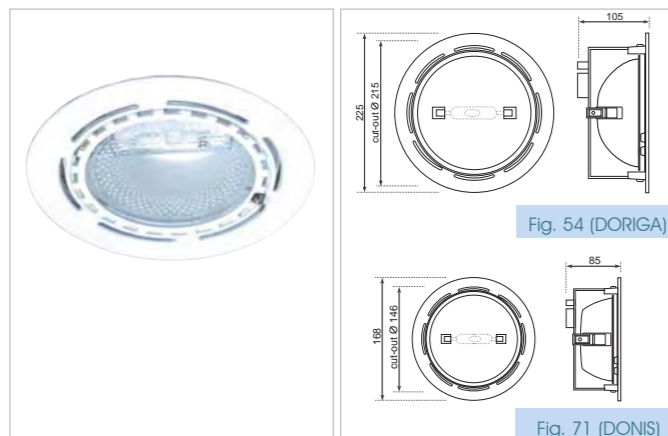


Fig. 54 (DORIGA)

Fig. 71 (DONIS)

	Recessed Fixed Downlighter c/w white bezel	Code	Dimensions
150W	Metal Halide (Doriga)	DDLH 150RCTL	Fig 54
150W	Ceramic Metal Halide (Doriga)	DDLH 150RCTLC	Fig 54

All Doriga luminaires are c/w double-ended Rx7s lamp and lampholder and remotely boxed ballast, timed ignitor and capacitor.

	Recessed Fixed Downlighter c/w white bezel	Code	Dimensions
70W	Metal Halide (Donis)	DDLH 70RCTL	Fig 71
70W	Ceramic Metal Halide (Donis)	DDLH 70RCTLC	Fig 71

All Donis luminaires are c/w double-ended Rx7s lamp and lampholder and remotely boxed ballast, timed ignitor and capacitor.

CIPRIAN



Fig. 233

	Surface projector c/w silver body and bracket	Code	Dimensions
70W	70W Metal Halide	DCLH 70STL	Fig 233
70W	70W Ceramic Metal Halide	DCLH 70STLC	Fig 233
150W	150W Metal Halide	DCLH 150STL	Fig 233
150W	150W Ceramic Metal Halide	DCLH 150STLC	Fig 233

All Ciprian luminaires are c/w double-ended Rx7s lamp and lampholder and integral ballast, timed ignitor and capacitor.

DEGANO, DIMA, DONIS, DORIGA and CIPRIAN

• IP 20 240 Volts 50Hz - Nominal supply

• Lamp colour temperature - refer to page 100

70 - 500W Surface Mounted Display Luminaires

DALLO

	Surface Projector c/w white body and bracket	Code	Dimensions
70W	Metal Halide	DDLH 70STL	Fig 51
70W	Ceramic Metal Halide	DDLH 70STLC	Fig 51
150W	Metal Halide	DDLH 150STL	Fig 51
150W	Ceramic Metal Halide	DDLH 150STLC	Fig 51

All Dallo luminaires are c/w double-ended Rx7s lampholder and integral ballast, timed ignitor, capacitor and lamp.

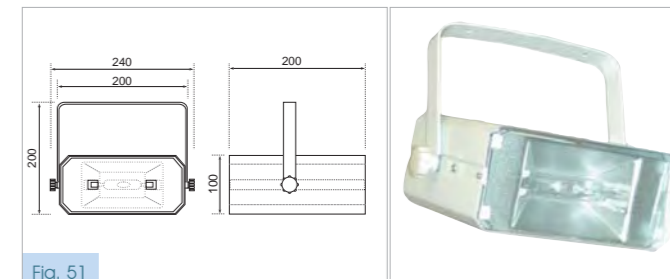


Fig. 51

	Surface Projector c/w white body and bracket	Code	Dimensions
300W	Tungsten halogen	DVTH 300S	Fig 167
500W	Tungsten halogen	DVTH 500S	Fig 167

All Villa luminaires are c/w double-ended R7s lampholder. Lamps are not included.

Accessory - VILLA	Code
Barn doors (factory fitted only)	DSLBD

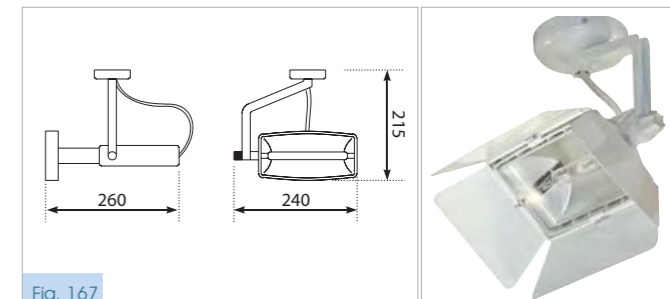


Fig. 167

VILLA

SERENA

	Surface Projector c/w white body and bracket	Code	Dimensions
70W	Metal Halide	DSLH 70STL	Fig 168
70W	Ceramic Metal Halide	DSLH 70STLC	Fig 168
150W	Metal Halide	DSLH 150STL	Fig 168
150W	Ceramic Metal Halide	DSLH 150STLC	Fig 168

All Serena luminaires are c/w double-ended Rx7s lampholder and integral ballast, timed ignitor, capacitor and lamp.

Accessory - SERENA	Code
Barn doors (factory fitted only)	DSLBD

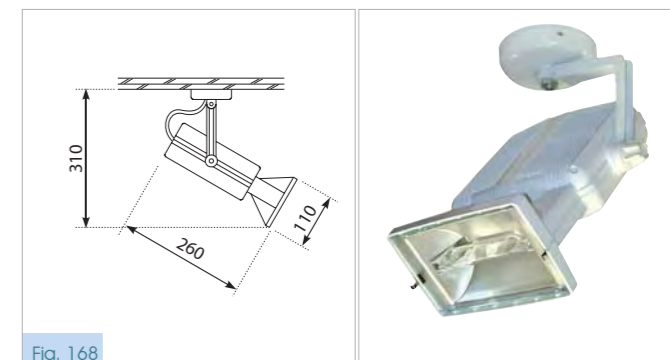


Fig. 168

ACARU

	Surface Projector c/w white body and bracket	Code	Dimensions
35W	Ceramic Metal Halide	DALH 35STLC	Fig 169
70W	Metal Halide	DALH 70STL	Fig 169
70W	Ceramic Metal Halide	DALH 70STLC	Fig 169
150W	Metal Halide	DALH 150STL	Fig 169
150W	Ceramic Metal Halide	DALH 150STLC	Fig 169

All Acaru luminaires are c/w G12 lampholder and integral ballast, timed ignitor, capacitor and lamp. Adjustable focus is available with the Acaru.

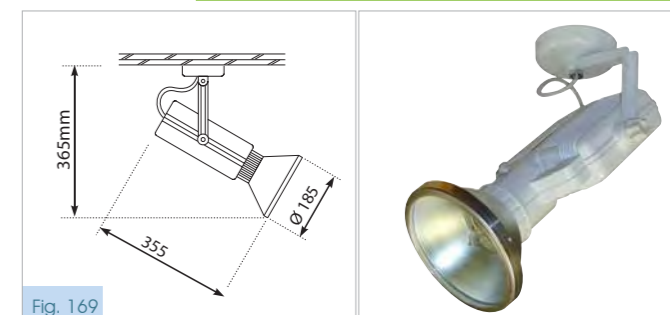


Fig. 169

DALLO, VILLA, SERENA and ACARU

• IP 20 240 Volts 50Hz - Nominal supply



OSRAM ENDURA®: Fit and forget for 60,000 hours.

ENDURA® is the electrodeless lighting system with a lamp life of 60,000 hours. Its extremely long lamp life makes it ideal for tunnel lighting, public areas or where relamping is done at great cost or inconvenience.

By using electronic control gear, ENDURA® enjoys benefits such as instant start and flicker free light. For more information email: csc@osram.co.uk or call us on 01744 812221 quoting ref: HILENDURA



SEE THE WORLD IN A NEW LIGHT



Emergency (now available with integral self auto-test)

ARCOS

ARCOS		Code	Dimensions
8W	maintained	BHA8M	Fig 228
8W	maintained c/w integral self auto-test	BHA8MAT	Fig 228
8W	non maintained	BHA8NM	Fig 228
8W	non maintained c/w integral self auto-test	BHA8NMAT	Fig 228
Accessories - ARCOS		Code	
Legend, arrow left		BHAALLEG	
Legend, arrow right		BHAARLEG	
Legend, arrow down		BHAADLEG	

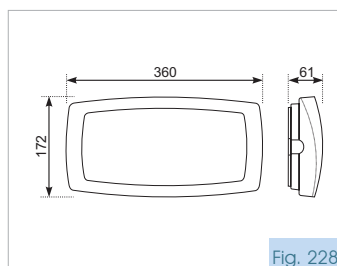


Fig. 228



Slimline and attractive self contained, maintained/non maintained 3 hr emergency luminaires for wall or ceiling mounting. Light grey polycarbonate base and clear polycarbonate diffuser with excellent broad light distribution.

BORJA

BORJA		Code	Dimensions
8W	maintained	BHB 8M	Fig 170
8W	maintained c/w integral self auto-test	BHB 8MAT	Fig 170
8W	non maintained	BHB8NM	Fig 170
8W	non maintained c/w integral self auto-test	BHB8NMAT	Fig 170
Accessories - BORJA		Code	Dimensions
Legend kit		BHBLK	Fig 170
Semi-recessing kit including bezel		BHBSRK	Fig 170
Wire guard		BHBWG	Fig 170

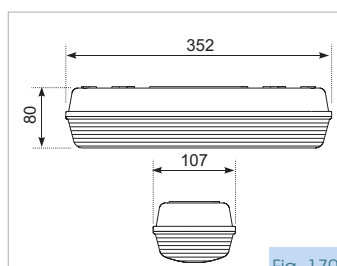


Fig. 170



Self contained 3 hour emergency luminaire with maintained and non maintained versions. Light grey ABS base with reeded polycarbonate diffuser, hinged gear tray and lamp.

OBEJO

OBEJO		Code	Dimensions
8W	maintained	BHO 8M	Fig 234
8W	maintained c/w integral self auto-test	BHO 8MAT	Fig 234
8W	non maintained	BHO 8NM	Fig 234
8W	non maintained c/w integral self auto-test	BHO 8NMAT	Fig 234
Accessories - OBEJO		Code	Dimensions
Legend kit		BHOLK	Fig 234
Semi-recessing kit including bezel		BHOSRK	Fig 234

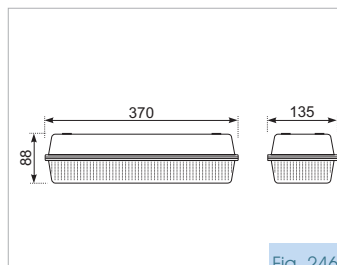


Fig. 246



Self contained 3 hour emergency luminaire with maintained and non maintained versions. Light grey ABS base with reeded polycarbonate diffuser, hinged gear tray and lamp.

GORDAZ

GORDAZ		Code	Dimensions
8W	maintained - white	ESG W8M	Fig 171
8W	maintained - brass	ESG B8M	Fig 171
8W	maintained - chrome	ESG C8M	Fig 171
8W	non maintained - white	ESG W8NM	Fig 171
8W	non maintained - brass	ESG B8NM	Fig 171
8W	non maintained - chrome	ESG C8NM	Fig 171
Please specify arrow direction		AL	AR
		Left	Right
			AD
			Down

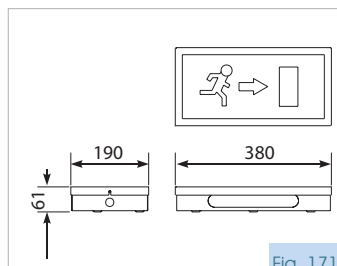


Fig. 171



Steel construction, white dry powder coated finish plus chrome and brass versions. Silk screen legend and opal downlight component, c/w lamp.

ARCOS, BORJA, OBEJO and GORDAZ

- **Note:** 240V non emergency versions of the above are available on request
- ACROS & GORDAZ **IP20** 240Volts 50Hz - Nominal supply
- BORJA & OBEJO **IP65** 240Volts 50Hz - Nominal supply

Emergency (now available with integral self auto-test)

MENORCA

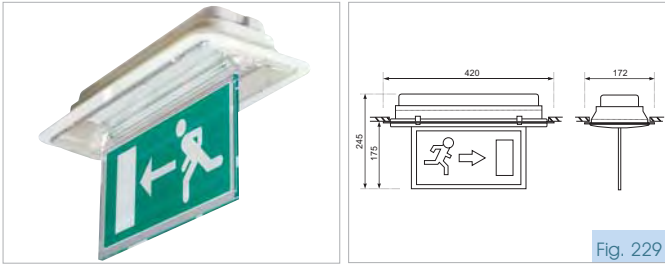


Fig. 229

Clear polycarbonate diffuser, white polycarbonate body and trim, recessed in ceiling tile. Clear plastic screened blade. Ideal for relatively low ceiling heights.

MENORCA		Code	Dimensions
8W	maintained	ESM8M	Fig 229
8W	maintained c/w integral self auto-test	ESM8MAT	Fig 229
8W	non maintained	ESM8NM	Fig 229
8W	non maintained c/w integral self auto-test	ESM8NMAT	Fig 229
Please specify arrow direction		AL Left	AR Right AD Down

CASTELLON

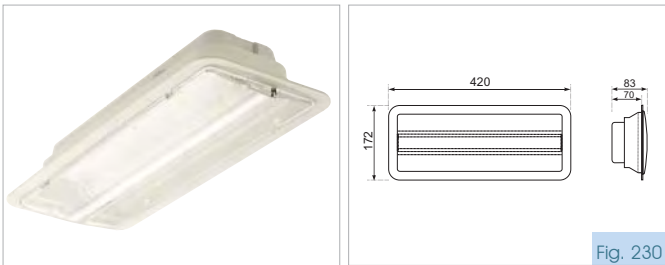


Fig. 230

Clear polycarbonate diffuser, white polycarbonate body and trim, recessed in ceiling tile. With a minimum protrusion below the ceiling tile the Castellon offers an excellent broad light distribution but maintains an unobtrusive and neat appearance.

CASTELLON		Code	Dimensions
8W	maintained	ESC8M	Fig 230
8W	maintained c/w integral self auto-test	ESC8MAT	Fig 230
8W	non maintained	ESC8NM	Fig 230
8W	non maintained c/w integral self auto-test	ESC8NMAT	Fig 230
Note: 240V non emergency versions of the Castellon are available on request			

SANTIDA

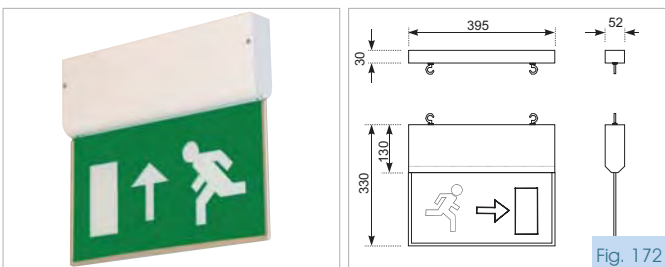


Fig. 172

Suspended luminaire with edge-lit illumination c/w 0.6 metre length decorative chain/wall/ceiling brackets. Large pictogram, c/w lamp available in brass, chrome or white finish.

SANTIDA Hanging Exit Sign		Code	Dimensions
8W	maintained/non-maintained - white	ESS W8M	Fig 172
8W	maintained/non-maintained - brass	ESS B8M	Fig 172
8W	maintained/non-maintained - chrome	ESS C8M	Fig 172

Accessories - SANTIDA		Code	Dimensions
Steel trim - white - covering edge of illuminated sign		ESSTW	Fig 172
Steel trim - brass - covering edge of illuminated sign		ESSTB	Fig 172

Please specify arrow direction		AL Left	AR Right AD Down
--------------------------------	--	------------	---------------------------

For integral self auto-test add **AT** to the end of the above product codes, eg ESSW8MAT

MENORCA, CASTELLON and SANTIDA

- IP 20 240 Volts 50Hz - Nominal supply

TORCAL

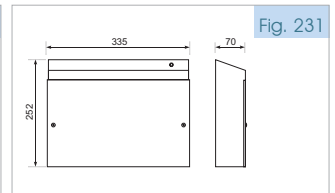
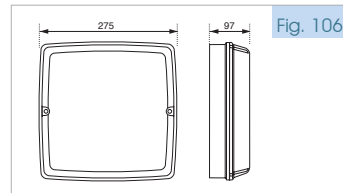
	TORCAL	Code	Dimensions
4 x 3W	white LED 3hr non maintained, black base, clear diffuser and remote gear pack	EST43WBP	Fig 106 & Fig 231
4 x 3W	white LED 3hr non maintained, white base, clear diffuser and remote gear pack	EST43WWP	Fig 106 & Fig 231

Luminaire with clear polycarbonate diffuser and black or white polycarbonate base for wall or ceiling mounting. 4 x 3 watt Luxeon Star high output LED light source with a wide operating temperature range -20°C to +25°C. Remote gear and battery pack, up to 20m from luminaire, contained in steel enclosure with an operating temperature range of 0°C to 25°C. Combination of luminaire and gear pack gives a 3 hr non maintained emergency facility. Ideal for cold stores and other refrigerated units.

IP65 Low voltage supply

Other LED versions available on request

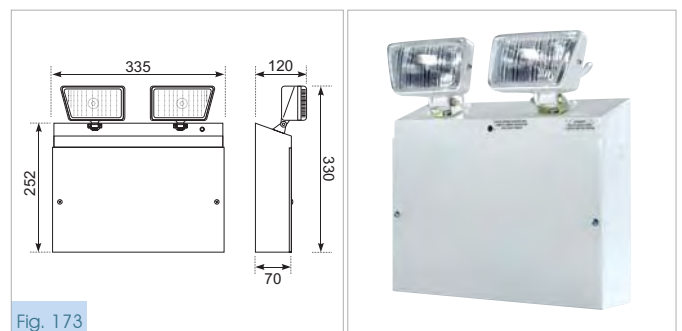
Note: The Torcal luminaire can only be used in conjunction with the specified Hilclare remote gear pack



	EMPO	Code	Dimensions
2 x 20W	3 hr non maintained	TSE 2ONM3	Fig 173
2 x 20W	3 hr non maintained c/w integral power-on timer	TSE 2ONM3IT1	Fig 173
2 x 55W	2 x 55W 1 hr non maintained	TSE 55NME	Fig 173
2 x 55W	2 x 55W 1 hr non maintained c/w integral power-on timer	TSE 55NM1IT1	Fig 173

Robust white dry powder coated steel body. LED indicator for charge current, mains healthy and lamp filament integrity

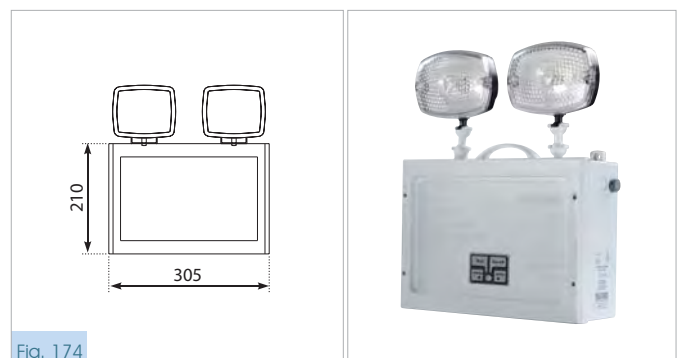
IP20 240 Volts 50 Hz - Nominal Supply



	MATO IP65 Twinspot	Code	Dimensions
2 x 21W	3 hr non maintained	TSM 21NM3	Fig 174
2 x 21W	3 hr non maintained c/w integral power-on timer	TSM 21NM3IT1	Fig 174

Resilient white polycarbonate body, lamp housing and lamp bracket. Clear prismatic polycarbonate diffuser. LED indicators for charge current and mains healthy. Manual switch test and lamps on/off in emergency mode also available as standard.

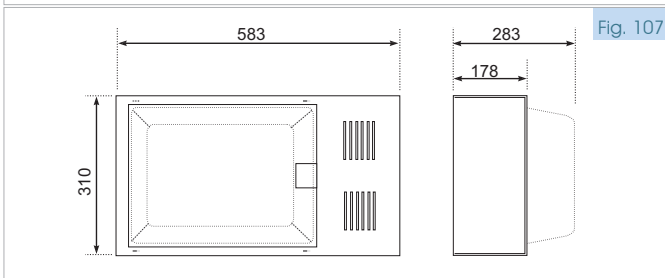
IP65 240 Volts 50 Hz - Nominal Supply



EMPO

- For versions of the Empo with remote mounted heads add **RH** to the end of the above product codes
- Integral power-on timer delay units are available and are factory set at 5-30 mins, specify when ordering
- Other timers available on request
- Additional brackets which allow a higher degree of lamp orientation are available. Use code **TSELEB** when ordering

BISCAY



White pre-coated polyester steel construction with detachable cover for easy access to gear and removable gear tray.

Mounting Heights:

Standard parabolic reflector	4 - 6m
Racking reflector	6 - 12m
Ultra-high rack reflector	12 - 18m

	BISCAY	Code	Dimensions
150W	SON Δ fitting c/w integral gear, timed ignitor & lamp	LBBS 150TL	Fig 107
250W	SON Δ fitting c/w integral gear, timed ignitor & lamp	LBBS 250TL	Fig 107
400W	SON Δ fitting c/w integral gear, timed ignitor & lamp	LBBS 400TL	Fig 107
250W	MBF fitting c/w integral gear & lamp	LBBM 250L	Fig 107
400W	MBF fitting c/w integral gear & lamp	LBBM 400L	Fig 107
150W	Metal Halide fitting c/w integral gear, timed ignitor & E40 lamp	LBBH 150TL	Fig 107
250W	Metal Halide fitting c/w integral gear, timed ignitor & lamp	LBBH 250TL	Fig 107
400W	400W Metal Halide fitting c/w integral gear, timed ignitor & lamp	LBBH 400TL	Fig 107

Accessories - BISCAY	Code
Dished polycarbonate diffuser 150-250W	LBDDC3
Dished clear polycarbonate diffuser 400W	LBDDC1
Flat toughened glass diffuser	LBGLC
Louvre	LBLVR
Wire guard	LBWG
Hinged mounting spine	LBSP
Racking reflector	LBRR
Ultra-high rack reflector (factory fitted only)	LBURR
Mains auxiliary standby module c/w E27 lampholder and 250W tungsten-halogen lamp	AUX
Chain suspension V-clip	CSVC

BISCAY

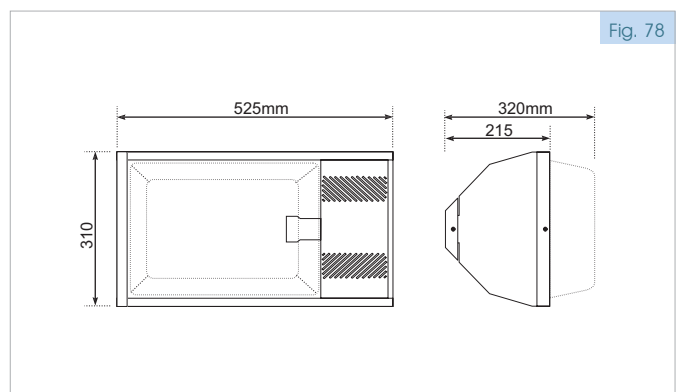
- **Mains Auxiliary Standby Module** Actuates on energising during arc run-up also on mains interruption until arc restoration. Rated for use with a single phase HID circuit up to and including 1kW Max. Aux Lamp max wattage 250W
- **Luxlift** The electric lowering & raising system for luminaires - [see page 63](#)
- **Ambient Operating Temperatures**
 -30° C to +25° C (SON)
 -20° C to +25° C (MBF & Metal Halide)
- **Metal Halide / Diffusers** - For Metal Halide lamps a diffuser is recommended - toughened glass or polycarbonate.
- **Mounting Spine** - For mounting methods other than chain suspension, the use of a mounting spine is recommended, to reduce heat transference, and also to facilitate rapid installation.
- **Polycarbonate Diffuser Life** - diffuser life can be extended by installing in conjunction with toughened glass, to reduce the degrading effect of lamp emissions.
- For lamp colour temperatures - [See page 100](#)
- **IP 22** 240 Volts 50Hz - Nominal supply

DOMINGO

	DOMINGO	Code	Dimensions
150W	SON Δ fitting c/w integral gear, timed ignitor & lamp	LBDS 150TL	Fig 78
250W	SON Δ fitting c/w integral gear, timed ignitor & lamp	LBDS 250TL	Fig 78
400W	SON Δ fitting c/w integral gear, timed ignitor & lamp	LBDS 400TL	Fig 78
250W	MBF fitting c/w integral gear & lamp	LBDM 250L	Fig 78
400W	MBF fitting c/w integral gear & lamp	LBDM 400L	Fig 78
150W	Metal Halide fitting c/w integral gear, timed ignitor & lamp E40	LBDH 150TL	Fig 78
250W	Metal Halide fitting c/w integral gear, timed ignitor & lamp	LBDH 250TL	Fig 78
400W	Metal Halide fitting c/w integral gear, timed ignitor & lamp	LBDH 400TL	Fig 78



Fig. 78



White powder-coated polyester, seam-welded steel body, c/w integral hinged mounting-spine. Flying-lead pre-wired via fused connector-block within the mounting spine facilitates rapid installation. Both mounting-spine and hinge-down easy-access gear-tray are secured by spring-clip sliding latches, requiring no tools and thus minimising installation and re-lamping time.

Accessories - DOMINGO	Code	Dimensions
Dished clear polycarbonate diffuser 150 - 250W	LBDDC3	
Dished clear polycarbonate diffuser 400W	LBDDC1	
Flat toughened glass diffuser	LBGLC	
Louvre	LBLVR	
Wire guard	LBWG	
Racking reflector	LBRR	
Ultra-high rack reflector (factory fitted only)	LBURR	
Mains auxiliary standby module c/w E27 lampholder and 250W tungsten-halogen lamp	AUX	

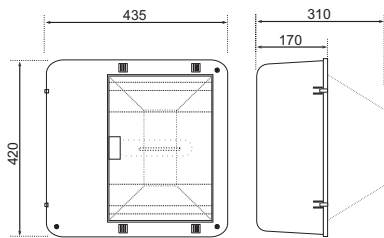
DOMINGO

- **IP 22** 240 Volts 50Hz - Nominal supply
- **Mounting Heights:**
Standard parabolic reflector - 4 - 6m
Racking reflector - 6 - 12m
Ultra-high rack reflector - 12 - 18m
- **Mains Auxiliary Standby Module** - Actuates on energising during arc run-up, also on mains interruption until arc restoration. Rated for use with single phase HID circuit up to and including 1kW Max. Aux Lamp Wattage 250W.
- **Ambient Operating Temperatures**
-30°C to +25°C (SON)
-20°C to +25°C (MBF & Metal Halide)
- **Polycarbonate Diffuser Life** - diffuser life can be extended by installing in conjunction with toughened glass, to reduce the degrading effect of lamp emissions.
- **Metal Halide / Diffusers** - For Metal Halide lamps a diffuser is recommended - toughened glass or polycarbonate.
- **For lamp colour temperatures** - See page 100

ESPINA



Fig. 59



Dry powder coated die-cast aluminium body c/w galvanised steel universal mounting kit and hinged die-cast aluminium lid, with integral gear and either toughened glass, or plain or prismatic (wide angle light distribution) polycarbonate diffuser.

ESPINA White		Code	Dimensions
150W	SON Δ fitting c/w integral gear, timed ignitor & lamp	LBES 150TL	Fig 59
250W	SON Δ fitting c/w integral gear, timed ignitor & lamp	LBES 250TL	Fig 59
400W	SON Δ fitting c/w integral gear, timed ignitor & lamp	LBES 400TL	Fig 59
150W	Metal Halide fitting c/w integral gear, timed ignitor & lamp, E40	LBEH 150TL	Fig 59
250W	Metal Halide fitting c/w integral gear, timed ignitor & lamp	LBEH 250TL	Fig 59
400W	Metal Halide fitting c/w integral gear, timed ignitor & lamp	LBEH 400TL	Fig 59
250W	MBF fitting c/w integral gear & lamp	LBEM 250L	Fig 59




ESPINA Black		Code	Dimensions
150W	SON Δ fitting c/w integral gear, timed ignitor & lamp	LBES 150BTL	Fig 59
250W	SON Δ fitting c/w integral gear, timed ignitor & lamp	LBES 250BTL	Fig 59
400W	SON Δ fitting c/w integral gear, timed ignitor & lamp	LBES 400BTL	Fig 59
150W	Metal Halide fitting c/w integral gear, timed ignitor & lamp, E40	LBEH 150TL	Fig 59
250W	Metal Halide fitting c/w integral gear, timed ignitor & lamp	LBEH 250BTL	Fig 59
400W	Metal Halide fitting c/w integral gear, timed ignitor & lamp	LBEH 400BTL	Fig 59
250W	MBF fitting c/w integral gear & lamp	LBEM 250BL	Fig 59

Accessories - ESPINA	Code	Dimensions
Dished clear polycarbonate diffuser (for 4 - 6m mounting heights) 150W & 250W versions only	LBEDDC	Fig 59
Dished prismatic wide angle polycarbonate diffuser (2.5 - 6m mounting heights) 150W & 250W versions only	LBEDDP	Fig 59
Flat toughened glass diffuser (for 4 - 6m mounting heights)	LBEGLC	Fig 59
Mains auxiliary standby module c/w E27 lampholder and 250W tungsten-halogen lamp	AUX	

ESPINA

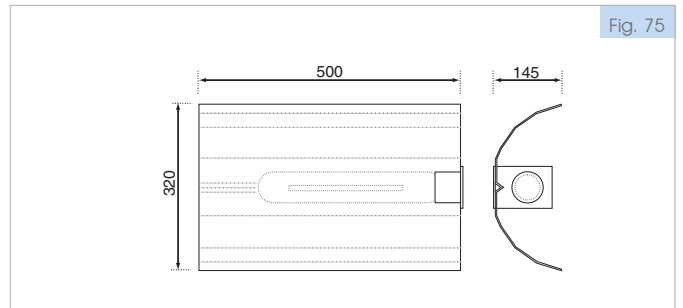
- IP 65 240 Volts 50Hz - Nominal supply
- Please specify diffuser type when ordering IP65 low bay fittings.
- Ambient Operating Temperatures -30°C to +25°C (SON)
- -20°C to +25°C (MBF & Metal Halide)
- For lamp colour temperatures - See page 100

CULTIVA

	ALTA	* Max distance from Gearbox to Lampholder	Code	Dimensions
250W	SON 	12m	HCS 250TL	Fig 75
400W	SON 	12m	HCS 400TL	Fig 75
600W	SON 	10m	HCS 600TL	Fig 75
250W	Metal Halide	12m	HCH 250TL	Fig 75
400W	Metal Halide	12m	HCH 400TL	Fig 75

Supplementary lighting to extend horticultural growing season

Fitting comprises an open reflector of anodised aluminium c/w E40 lampholder, lamp & mounting brackets. Includes black dry powder-coated remote IP65 gearbox, and 3m mains cable c/w 13 amp plug, and 1m silicone cable for connection to the lampholder.



CULTIVA

- **IP 20/65** 240 Volts 50Hz - Nominal supply
- **Longer cable lengths than the standard 1m** - between the 13 amp plug and lampholder, can be supplied on request.
- **Reflector System** - designed to provide optimum distribution of light from a mounting height 0.5m - 1.5m above the crop.
- **Ambient Operating Temperatures**
-30°C to +25°C (SON)
-20°C to +25°C (MBF & Metal Halide)
- **Hiclare Technical Department** will advise on lighting requirements for a particular crop application on receipt of the following information:
 - Mounting Height
 - Crop
 - Area to be illuminated
 - Plant Variety
 - Growing Cycle
- **For lamp colour temperatures** - See page 100

ALTA

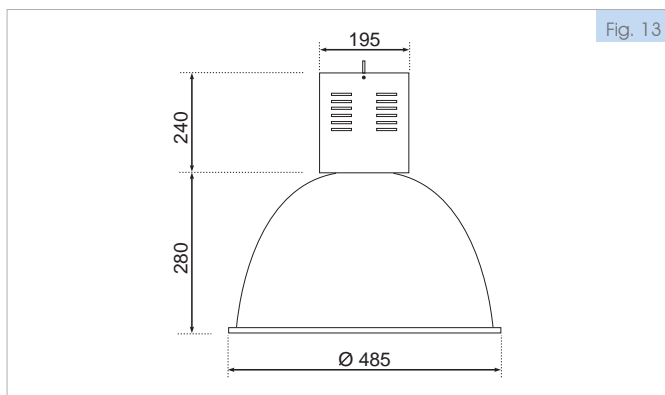


Fig. 13

Silver dry powder coated steel gear housing, with easy access detachable panel, c/w spun aluminium parabolic reflector. For 6 - 12m mounting heights depending upon application.

ALTA	Code	Dimensions
150W SON Δ fitting c/w integral gear, timed ignitor & lamp	HBAS 150TL	Fig 13
250W SON Δ fitting c/w integral gear, timed ignitor & lamp	HBAS 250TL	Fig 13
400W SON Δ fitting c/w integral gear, timed ignitor & lamp	HBAS 400TL	Fig 13
250W MBF fitting c/w integral gear & lamp	HBAM 250L	Fig 13
400W MBF fitting c/w integral gear & lamp	HBAM 400L	Fig 13
250W Metal Halide fitting c/w integral gear, timed ignitor & lamp (enclosed fixture rated)	HBAH 250TL	Fig 13
400W Metal Halide fitting c/w integral gear, timed ignitor & lamp (enclosed fixture rated)	HBAH 400TL	Fig 13
150W Metal Halide fitting c/w integral gear, timed ignitor & lamp, E40	HBAH 150TLO	Fig 13
250W Metal Halide fitting c/w integral gear, timed ignitor & lamp	HBAH 250TLO	Fig 13
400W Metal Halide fitting c/w integral gear, timed ignitor & lamp	HBAH 400TLO	Fig 13

Accessories - ALTA	Code	Dimensions
Toughened clear glass diffuser	HBAMGLC	Fig 13
Fixing for toughened clear glass diffuser (cannot be used with wire guard)	HBAMGSS	Fig 13
Clear polycarbonate dished diffuser 150W & 250W	HBAMDDC1	Fig 13
Clear polycarbonate dished diffuser 400W	HBAMDDC2	Fig 13
Fixing for clear polycarbonate dished diffuser	HBAMPSS	Fig 13
Fixing for the clear dished polycarbonate and toughened clear glass diffusers combined	HBAMGPSS	Fig 13
Wire guard	HBAMWG	Fig 13
Fixing for wire guard	HBAMWSS	Fig 13
Fixing for combined toughened clear glass diffuser & wire guard	HBAMGWSS	Fig 13
Spare aluminium reflector	HBAMREF	Fig 13
Mains auxiliary standby module c/w E27 lampholder and 250W tungsten-halogen lamp	AUX	Fig 13

ALTA

- **IP 22** 240 Volts 50Hz - Nominal supply
- **Suffix 'O'** indicates Open-Fixture Rated Lamp
- **Open-Fixture Rated Lamps** - Provide a higher Lumen Package than enclosed-fixture lamps, optimised by elimination of the lumen losses associated with using a glass diffuser.
- **Metal Halide / Diffusers** - For open-fixture rated Metal Halide Lamps, a diffuser or glass cover is not required. For all other Metal Halide lamps a diffuser is recommended - toughened glass or dished- polycarbonate
- **Polycarbonate Diffuser Life** - diffuser life can be extended by installing in conjunction with toughened glass, to reduce the degrading effect of lamp emissions.
- **Safety Suspension Chain** - forms part of each Accessory Fixing Set supplied.

150 – 400W High Bay with Adjustable Lampholder

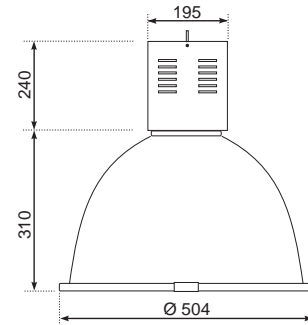
AXPE

	AXPE	Code	Dimensions
150W	SON Δ fitting c/w integral gear, timed ignitor & lamp	HBAXS 150TL	Fig 69
250W	SON Δ fitting c/w integral gear, timed ignitor & lamp	HBAXS 250TL	Fig 69
400W	SON Δ fitting c/w integral gear, timed ignitor & lamp	HBAXS 400L	Fig 69
250W	MBF fitting c/w integral gear & lamp	HBAXM 250L	Fig 69
400W	MBF fitting c/w integral gear & lamp	HBAXM 400L	Fig 69
250W	Metal Halide fitting c/w integral gear, timed ignitor & lamp (enclosed fixture rated)	HBAXH 250TL	Fig 69
400W	Metal Halide fitting c/w integral gear, timed ignitor & lamp (enclosed fixture rated)	HBAXH 400TL	Fig 69
150W	Metal Halide fitting c/w integral gear, timed ignitor & lamp, E40	HBAXH 150TLO	Fig 69
250W	Metal Halide fitting c/w integral gear, timed ignitor & lamp	HBAXH 250TLO	Fig 69
400W	Metal Halide fitting c/w integral gear, timed ignitor & lamp	HBAXH 400TLO	Fig 69

Silver dry powder coated steel gear housing, c/w high purity spun aluminium reflector. For 6 - 18m mounting heights depending on application.



Fig. 69

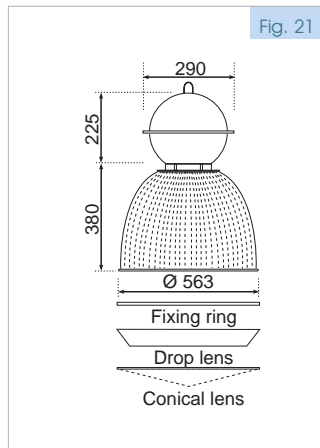
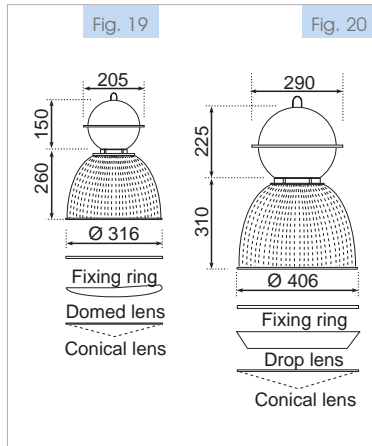


Accessories - AXPE	Code	Dimensions
Toughened clear glass diffuser c/w gasket and 3 fixings	HBALGLCK	
Dished polycarbonate diffuser (factory fitted only)	HBALDDC	
Mains auxiliary standby module c/w E27 lampholder and 250W tungsten-halogen lamp	AUX	

AXPE

- **IP 22** 240 Volts 50Hz - Nominal supply
- **Suffix 'O'** indicates Open-Fixture Rated Lamp
- **Open-Fixture Rated Lamps** Provide a higher Lumen Package than enclosed-fixture lamps, optimised by elimination of the lumen losses associated with using a glass diffuser.
- Where a dished polycarbonate diffuser **HBALDDC** is required, it can only be used in conjunction with flat toughened glass diffuser **HBALGLCK**.
- **Safety Suspension Chain** - forms part of each Accessory Fixing Set
- **supplied.**
- **Metal Halide / Diffusers** - For open-fixture rated Metal Halide Lamps, a diffuser or glass cover is not required. For all other Metal Halide lamps a diffuser is recommended - toughened glass or polycarbonate
- **Beam Pattern Range** - Wide to narrow depending on the lampholder position and the mounting height.
- **For lamp colour temperatures** - See page 100

CORDOBA



Silver dry powder coated spun aluminium spherical gear housing c/w prismatic acrylic reflexor, creating approx. 17-24% uplight and 83-76% downlight components. For 6-12m mounting heights, depending on application.

Accessories - CORDOBA	Code	Dimensions
Stainless steel fixing ring	HBPSSR HBPMRSR HBPLSR	Fig 19 Fig 20 Fig 21
Clear acrylic domed lens	HBPSDDC	Fig 19
Prismatic acrylic drop lens	HBPMDD HBPLDD	Fig 20 Fig 21
Prismatic acrylic conical lens	HBPSDC HBPMDC HBPLDC	Fig 19 Fig 20 Fig 21
Mains auxiliary standby module c/w E27 lampholder and 250W tungsten-halogen lamp	AUX	Fig 20 - 21

CORDOBA - PL		Code	Dimensions
26W	Compact fluorescent fitting c/w integral high frequency gear & lamp	HBC 26HFL	Fig 19
32W	Compact fluorescent fitting c/w integral high frequency gear & lamp	HBC 32HFL	Fig 19
42W	Compact fluorescent fitting c/w integral high frequency gear & lamp	HBC 42HFL	Fig 19
57W	Compact fluorescent fitting c/w integral high frequency gear & lamp	HBC 57HFL	Fig 19
70W	Compact fluorescent fitting c/w integral high frequency gear & lamp	HBC 70HFL	Fig 20
4x32W	Compact fluorescent fitting c/w integral high frequency gear & lamps	HBC 432HFL	Fig 21
4x42W	Compact fluorescent fitting c/w integral high frequency gear & lamps	HBC 442HFL	Fig 21

CORDOBA - HID		Code	Dimensions
70W	Ceramic Metal Halide fitting c/w integral gear, timed ignitor & lamp, G12 (enclosed fixture rated)	HBCH 70TLC	Fig 19
150W	Ceramic Metal Halide fitting c/w integral gear, timed ignitor & lamp, G12 (enclosed fixture rated)	HBCH 150TLC	Fig 19
70W	Metal Halide fitting c/w integral gear, timed ignitor & lamp, E27	HBCH 70TLO	Fig 19
150W	Metal Halide fitting c/w integral gear, timed ignitor & lamp, E27	HBCH 150TLESO	Fig 19
250W	Metal Halide fitting c/w integral gear, timed ignitor & lamp (enclosed fixture rated)	HBCH 250TL	Fig 20
400W	Metal Halide fitting c/w integral gear, timed ignitor & lamp (enclosed fixture rated)	HBCH 400TL	Fig 21
150W	Metal Halide fitting c/w integral gear, timed ignitor & lamp, E40	HBCH 150TLO	Fig 20
250W	Metal Halide fitting c/w integral gear, timed ignitor & lamp	HBCH 250TLO	Fig 20
400W	Metal Halide fitting c/w integral gear, timed ignitor & lamp	HBCH 400TLO	Fig 21

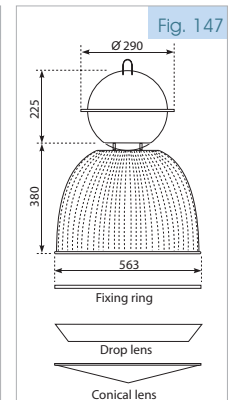
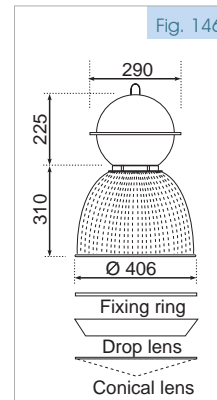
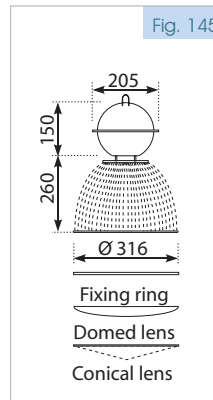
CORDOBA

- Suffix 'O' indicates Open Fixture Rated Lamp
- 'C' at end of code - Ceramic Metal Halide
- IP 22 240 Volts 50Hz - Nominal supply
- **Open-fixture Rated Lamps** - Provide a higher Lumen Package than enclosed-fixture lamps, optimised by elimination of the lumen losses associated with using a diffuser.
- **Metal Halide / Diffusers** - For open-fixture rated Metal Halide Lamps, a diffuser or glass cover is not required. For all other Metal Halide/Ceramic Metal Halide lamps a diffuser is recommended - toughened glass, acrylic or polycarbonate.
- **Optional Extras**
Colour Choice - Reflexor - Fig 19 only - Blue, green, red, amber
Decorative 'Halo' version - Small/medium/large Ø
- Reflective baffle attached to underside of gear housing
- **Dimming** - 3 - 100% digital dimming systems are available for all compact fluorescent versions of the Cordoba
- **Ceramic Metal Halide** - 250W and 400W versions available on request.

TARIJ

TARIJ - PL	Code	Dimensions
26W Compact fluorescent fitting c/w integral high frequency gear & lamp	HBT 26HFL	Fig 145
32W Compact fluorescent fitting c/w integral high frequency gear & lamp	HBT 32HFL	Fig 145
42W Compact fluorescent fitting c/w integral high frequency gear & lamp	HBT 42HFL	Fig 145
57W Compact fluorescent fitting c/w integral high frequency gear & lamp	HBT 57HFL	Fig 145
70W Compact fluorescent fitting c/w integral high frequency gear & lamp	HBT 70HFL	Fig 146
4x32W Compact fluorescent fitting c/w integral high frequency gear & lamps	HBT 432HFL	Fig 147
4x42W Compact fluorescent fitting c/w integral high frequency gear & lamps	HBT 442HFL	Fig 147

TARIJ - HID	Code	Dimensions
70W Ceramic Metal Halide fitting c/w integral gear, timed ignitor & lamp, G12 (enclosed fixture rated)	HBTH 70TLC	Fig 145
150W Ceramic Metal Halide fitting c/w integral gear, timed ignitor & lamp, G12 (enclosed fixture rated)	HBTH 150TLC	Fig 145
70W Metal Halide fitting c/w integral gear, timed ignitor & lamp, E27	HBTH 70TLO	Fig 145
150W Metal Halide fitting c/w integral gear, timed ignitor & lamp, E27	HBTH 150TLESO	Fig 145
250W Metal Halide fitting c/w integral gear, timed ignitor & lamp (enclosed fixture rated)	HBTH 250TL	Fig 146
400W Metal Halide fitting c/w integral gear, timed ignitor & lamp (enclosed fixture rated)	HBTH 400TL	Fig 147
150W Metal Halide fitting c/w integral gear, timed ignitor & lamp, E40	HBTH 150TLO	Fig 146
250W Metal Halide fitting c/w integral gear, timed ignitor & lamp	HBTH 250TLO	Fig 146
400W Metal Halide fitting c/w integral gear, timed ignitor & lamp	HBTH 400TLO	Fig 147



Silver dry powder coated spun aluminium spherical gear housing c/w frosted prismatic acrylic reflexors creating approx. 15-19% upright and 85-81% downlight components. For 6-12m mounting heights, depending on application.

Accessories - TARIJ	Code	Dimensions
Stainless steel fixing ring	HBPSSR HBPMSR HBPLSR	Fig 145 Fig 146 Fig 147
Clear acrylic domed lens	HBPSDDC	Fig 145
Prismatic acrylic drop lens	HBPMDD HBPLDD	Fig 146 Fig 147
Prismatic acrylic conical lens	HBPSDC HBPMDC HBPLDC	Fig 145 Fig 146 Fig 147
Mains auxiliary standby module c/w E27 lampholder and 250W tungsten-halogen lamp	AUX	

TARIJ

- **Suffix 'O'** indicates Open Fixture Rated Lamp
- **'C'** at end of code - Ceramic Metal Halide
- **IP 22** 240 Volts 50Hz - Nominal supply
- **Open-fixture Rated Lamps** - Provide a higher Lumen Package than enclosed-fixture lamps, optimised by elimination of the lumen losses associated with using a diffuser.
- **Metal Halide / Diffusers** - For open-fixture rated Metal Halide Lamps, a diffuser or glass cover is not required. For all other Metal Halide/Ceramic Metal Halide lamps a diffuser is recommended - toughened glass, acrylic or polycarbonate.
- **Optional Extras** Decorative 'Halo' version - Small/medium/large Ø
Decorative 'Halo' version - Reflective baffle attached to underside of gear housing
- **Dimming** - 3 - 100% digital dimming systems are available for all compact fluorescent versions of the Tarij
- **Ceramic Metal Halide** - 250W and 400W versions available on request.

DAROCA

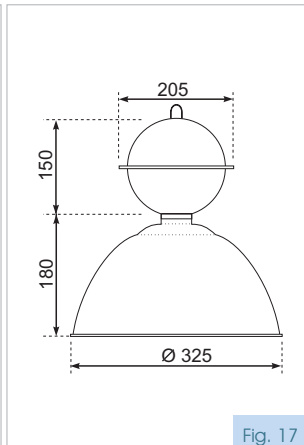


Fig. 17

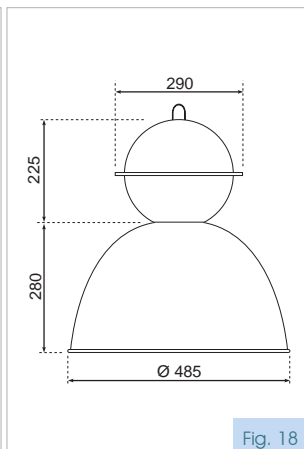


Fig. 18

Silver dry powder coated spun aluminium spherical gear housing, c/w high-purity spun aluminium reflector, with steel 'U' type suspension bolt. For mounting heights 4m -12m, depending on application.

Daroca - PL		Code	Dimensions
26WPL	fitting c/w integral high frequency gear & lamp	HBD 26HFL	Fig 17
32WPL	fitting c/w integral high frequency gear & lamp	HBD 32HFL	Fig 17
42WPL	fitting c/w integral high frequency gear & lamp	HBD 42HFL	Fig 17
57WPL	fitting c/w integral high frequency gear & lamp	HBD 57HFL	Fig 18
70WPL	fitting c/w integral high frequency gear & lamp	HBD 70HFL	Fig 18

Daroca - HID		Code	Dimensions
70W	Metal Halide fitting c/w integral gear, timed ignitor & lamp, E27 (enclosed fixture rated)	HBDH 70TLO	Fig 17
150W	Metal Halide fitting c/w integral gear, timed ignitor & lamp, E27 (enclosed fixture rated)	HBDH 150TLESO	Fig 17
250W	Metal Halide fitting c/w integral gear, timed ignitor & lamp (enclosed fixture rated)	HBDH 250TL	Fig 18
400W	Metal Halide fitting c/w integral gear, timed ignitor & lamp (enclosed fixture rated)	HBDH 400TL	Fig 18
150W	Metal Halide fitting c/w integral gear, timed ignitor & lamp, E40	HBDH 150TLO	Fig 18
250W	Metal Halide fitting c/w integral gear, timed ignitor & lamp	HBDH 250TLO	Fig 18
400W	Metal Halide fitting c/w integral gear, timed ignitor & lamp	HBDH 400TLO	Fig 18

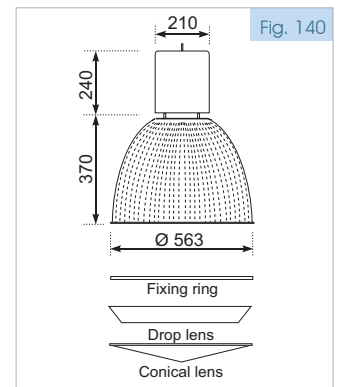
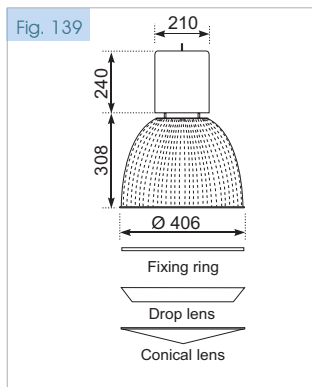
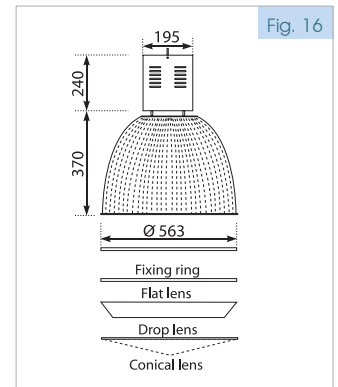
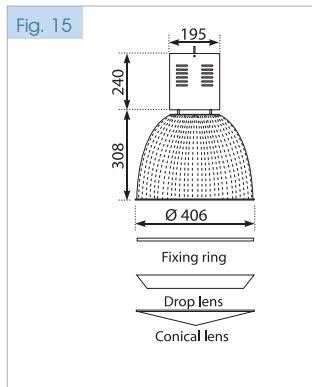
Accessories - DAROCA		Code	Dimensions
Toughened clear glass diffuser		HBAMGLC	Fig 18
Fixing for toughened clear glass diffuser		HBAMGSS	Fig 18
Clear polycarbonate dished diffuser		HBAMDDC	Fig 18
Fixing for clear polycarbonate dished diffuser		HBAMPSS	Fig 18
Fixing for the combined clear dished polycarbonate and toughened clear glass diffusers		HBAMGPSS	Fig 18
Wire guard		HBAMWVG	Fig 18
Fixing for wire guard		HBAMWSS	Fig 18
Fixing for combined toughened clear glass diffuser & wire guard		HBAMGWSS	Fig 18

DAROCA

- **IP 22** 240 Volts 50Hz - Nominal supply
- **Suffix 'O'** indicates Open-Fixture Rated Lamp
- **Polycarbonate Diffuser Life** - diffuser life can be extended by installing in conjunction with toughened glass, to reduce the degrading effect of lamp emissions
- **Metal Halide/Diffusers** - for open fixture-rated Metal Halide Lamps, a diffuser is not required. For all other Metal Halide/CDM lamps a diffuser is recommended - toughened glass or dished-polycarbonate.
- **Safety Suspension Chain** - forms part of each Accessory Fixing Set supplied.
- **Dimming - 3** - 100% digital dimming systems are available for all compact fluorescent versions of the Daroca

BELMONTE & PARA

	Belmonte (cuboid gear housing)	Code	Dimensions
150W	SON Δ fitting c/w integral gear, timed ignitor & lamp	HBBS 150TL	Fig 15
250W	SON Δ fitting c/w integral gear, timed ignitor & lamp	HBBS 250TL	Fig 15
400W	SON Δ fitting c/w integral gear, timed ignitor & lamp	HBBS 400TL	Fig 16
250W	MBF fitting c/w integral gear & lamp	HBBM 250L	Fig 15
400W	MBF fitting c/w integral gear & lamp	HBBM 400L	Fig 16
250W	Metal Halide fitting c/w integral gear, timed ignitor & lamp (enclosed fixture rated)	HBBH 250TL	Fig 15
400W	Metal Halide fitting c/w integral gear, timed ignitor & lamp (enclosed fixture rated)	HBBH 400TL	Fig 16
150W	Metal Halide fitting c/w integral gear, timed ignitor & lamp, E40	HBBH 150TLO	Fig 15
250W	Metal Halide fitting c/w integral gear, timed ignitor & lamp	HBBH 250TLO	Fig 15
400W	Metal Halide fitting c/w integral gear, timed ignitor & lamp	HBBH 400TLO	Fig 16



	Para (cylindrical gear housing)	Code	Dimensions
150W	SON Δ fitting c/w integral gear, timed ignitor & lamp	HBPS 150TL	Fig 139
250W	SON Δ fitting c/w integral gear, timed ignitor & lamp	HBPS 250TL	Fig 139
400W	SON Δ fitting c/w integral gear, timed ignitor & lamp	HBPS 400TL	Fig 140
250W	MBF fitting c/w integral gear & lamp	HBPM 250L	Fig 139
400W	MBF fitting c/w integral gear & lamp	HBPM 400L	Fig 140
250W	Metal Halide fitting c/w integral gear, timed ignitor & lamp (enclosed fixture rated)	HBPH 250TL	Fig 139
400W	Metal Halide fitting c/w integral gear, timed ignitor & lamp (enclosed fixture rated)	HBPH 400TL	Fig 140
150W	Metal Halide fitting c/w integral gear, timed ignitor & lamp, E40	HBPH 150TLO	Fig 139
250W	Metal Halide fitting c/w integral gear, timed ignitor & lamp	HBPH 250TLO	Fig 139
400W	Metal Halide fitting c/w integral gear, timed ignitor & lamp	HBPH 400TLO	Fig 140

Accessories - BELMONTE & PARA	Code	Dimensions
Stainless steel fixing ring	HBPMSR	Fig 15, 139
Clear acrylic drop lens	HBPMDD	Fig 15, 139
Clear acrylic conical lens	HBPMDC	Fig 15, 139
Stainless steel fixing ring	HBPLSR	Fig 16, 140
Clear acrylic drop lens	HBPLDD	Fig 16, 140
Clear acrylic conical lens	HBPLDC	Fig 16, 140
Mains auxiliary standby module c/w E27 lampholder and 250W tungsten halogen lamp	AUX	

BELMONTE & PARA

- Cuboid (Belmonte) and cylindrical (Para) silver dry powder coated steel gear housings. Clear prismatic acrylic reflexors creating approx 17-24% uplight and 83-76% downlight components. Mounting heights 6-12m depending on application.
- Suffix 'O' indicates Open-Fixture Rated Lamp
- Open-fixture Rated Lamps - Provide a higher Lumen Package than enclosed-fixture lamps, optimised by elimination of the lumen losses associated with using a diffuser.



OLINO & IPAU

	Oolino (cuboid gear housing)	Code	Dimensions
150W	SON Δ fitting c/w integral gear, timed ignitor & lamp	HBOS 150TL	Fig 141
250W	SON Δ fitting c/w integral gear, timed ignitor & lamp	HBOS 250TL	Fig 141
400W	SON Δ fitting c/w integral gear, timed ignitor & lamp	HBOS 400TL	Fig 142
250W	MBF fitting c/w integral gear & lamp	HBOM 250L	Fig 141
400W	MBF fitting c/w integral gear & lamp	HBOM 400L	Fig 142
250W	Metal Halide fitting c/w integral gear, timed ignitor & lamp (enclosed fixture rated)	HBOH 250TL	Fig 141
400W	Metal Halide fitting c/w integral gear, timed ignitor & lamp (enclosed fixture rated)	HBOH 400TL	Fig 142
150W	Metal Halide fitting c/w integral gear, timed ignitor & lamp, E40	HBOH 150TLO	Fig 141
250W	Metal Halide fitting c/w integral gear, timed ignitor & lamp	HBOH 250TLO	Fig 141
400W	Metal Halide fitting c/w integral gear, timed ignitor & lamp	HBOH 400TLO	Fig 142

	Ipaau (cylindrical gear housing)	Code	Dimensions
150W	SON Δ fitting c/w integral gear, timed ignitor & lamp	HBIS 150TL	Fig 143
250W	SON Δ fitting c/w integral gear, timed ignitor & lamp	HBIS 250TL	Fig 143
400W	SON Δ fitting c/w integral gear, timed ignitor & lamp	HBIS 400TL	Fig 144
250W	MBF fitting c/w integral gear & lamp	HBIM 250L	Fig 143
400W	MBF fitting c/w integral gear & lamp	HBIM 400L	Fig 144
250W	Metal Halide fitting c/w integral gear, timed ignitor & lamp (enclosed fixture rated)	HBIH 250TL	Fig 143
400W	Metal Halide fitting c/w integral gear, timed ignitor & lamp (enclosed fixture rated)	HBIH 400TL	Fig 144
150W	Metal Halide fitting c/w integral gear, timed ignitor & lamp, E40	HBIH 150TLO	Fig 143
250W	Metal Halide fitting c/w integral gear, timed ignitor & lamp	HBIH 250TLO	Fig 143
400W	Metal Halide fitting c/w integral gear, timed ignitor & lamp	HBIH 400TLO	Fig 144

Accessories - OLINO & IPAU	Code	Dimensions
Stainless steel fixing ring	HBPMSR	Fig 141, 143
Clear acrylic drop lens	HBPMDD	Fig 141, 143
Clear acrylic conical lens	HBPMDC	Fig 141, 143
Stainless steel fixing ring	HBPLSR	Fig 142, 144
Clear acrylic drop lens	HBPLDD	Fig 142, 144
Clear acrylic conical lens	HBPLDC	Fig 142, 144
Mains auxiliary standby module c/w E27 lampholder and 250W tungsten halogen lamp	AUX	



Fig. 142

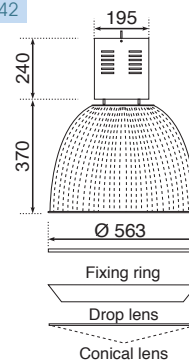


Fig. 141

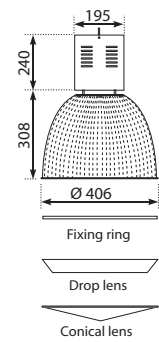


Fig. 144

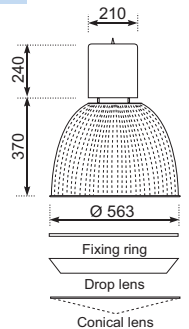
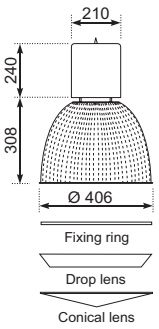


Fig. 143



OLINO & IPAU

- Cuboid (Oolino) and cylindrical (Ipaau) silver dry powder coated steel gear housings. Frosted prismatic acrylic reflexors creating approx 15-19% uplight and 85-81% downlight components. Mounting heights 6-12m depending on application.
- Suffix 'O' indicates Open-Fixture Rated Lamp
- Metal Halide / Diffusers - For open-fixture rated Metal Halide Lamps, a diffuser or glass cover is not required. For all other Metal Halide lamps a diffuser is recommended - toughened glass or polycarbonate
- Ceramic Metal Halide - 250W and 400W versions available on request.

EPCO

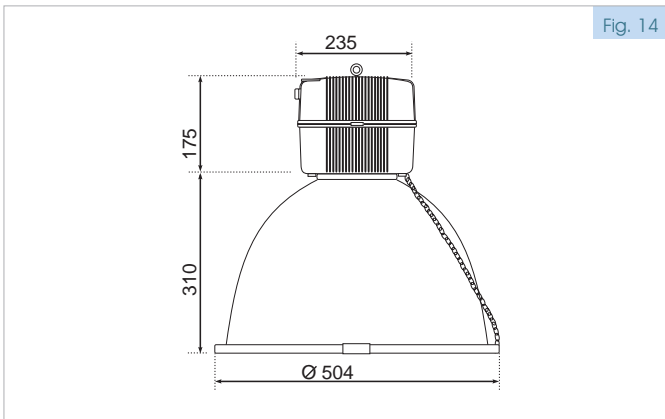


Fig. 14

Black dry powder coated robust die-cast aluminium gear housing, c/w high purity anodised aluminium reflector, clear toughened glass diffuser, sealed with moulded silicone rubber gasket.

EPCO		Code	Dimensions
150W	SON Δ fitting c/w integral gear, timed ignitor & lamp	HBES 150TL	Fig 14
250W	SON Δ fitting c/w integral gear, timed ignitor & lamp	HBES 250TL	Fig 14
400W	SON Δ fitting c/w integral gear, timed ignitor & lamp	HBES 400TL	Fig 14
250W	MBF fitting c/w integral gear & lamp	HBEM 250L	Fig 14
400W	MBF fitting c/w integral gear & lamp	HBEM 400L	Fig 14
150W	Metal Halide fitting c/w integral gear, timed ignitor & E40 lamp	HBEH 150TL	Fig 14
250W	Metal Halide fitting c/w integral gear, timed ignitor & lamp	HBEH 250TL	Fig 14
400W	Metal Halide fitting c/w integral gear, timed ignitor & lamp	HBEH 400TL	Fig 14

Accessories - EPCO		Code	Dimensions
Dished polycarbonate diffuser (factory fitted only)		HBALDDC	
Spare toughened glass diffuser		HBALGLC	
Mains auxiliary standby module c/w E27 lampholder and 250W tungsten-halogen lamp		AUX	

EPCO

- **IP 65** 240 Volts 50Hz - Nominal supply
- **Mounting heights** 6-12m depending on application
- **Lamp colour temperatures** - refer to page 100
- **Safety Suspension Chain** - forms part of each Accessory Fixing Set supplied.
- **Mains Auxiliary Standby Module** - Actuates on energising during arc run-up, also on mains interruption until arc restoration. Rated for use with single phase HID circuit up to and including 1kW Max. Aux Lamp Wattage 250W.
- **Luxlift** The electric lowering & raising system for luminaires - see page 63
- **Ambient Operating Temperatures**
 -30°C to +25°C (SON)
 -20°C to +25°C (MBF & Metal Halide)

GERONA

	GERONA c/w aluminium reflector	Code	Dimensions
1000W	SON Δ fitting c/w remote IP65 gearbox, timed ignitor & tubular lamp, 240V	HBGSIK TLT	Fig 77
1000W	SON Δ fitting c/w remote IP65 gearbox, timed ignitor & elliptical lamp, 240V	HBGSIK TLE	Fig 77
1000W	Metal Halide fitting c/w remote IP65 gearbox, timed ignitor & tubular lamp, 240V	HBGHIK TLT	Fig 77

	GERONA c/w acrylic reflexor	Code	Dimensions
1000W	SON Δ fitting c/w remote IP65 gearbox, timed ignitor & tubular lamp, 240V	HBGRX51K TLT	Fig 253
1000W	SON Δ fitting c/w remote IP65 gearbox, timed ignitor & elliptical lamp, 240V	HBGRX51K TLE	Fig 253
1000W	Metal Halide fitting c/w remote IP65 gearbox, timed ignitor & tubular lamp, 240V	HBGRXH1K TLT	Fig 253

Black dry powder coated die-cast aluminium remote gearbox (IP65). A choice of either ultra-high purity bright anodised spun aluminium reflector or clear prismatic acrylic reflexor. Both are supplied c/w auto-balanced drop forged eye-bolt suspension points. The reflexor creates approximately 27% uplight and 73% downlight components. Mounting heights 6-12m depending on application.

Accessories - GERONA	Code
Toughened glass diffuser c/w fixing assembly for use with aluminium reflector	HBGGLC
Mains auxiliary standby module c/w E27 lampholder and 250W tungsten-halogen lamp	AUX



Fig. 77

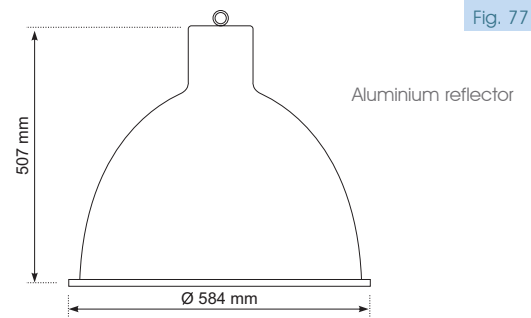
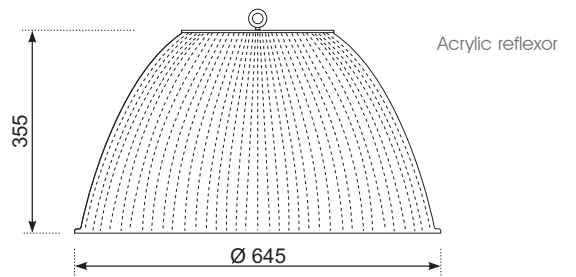
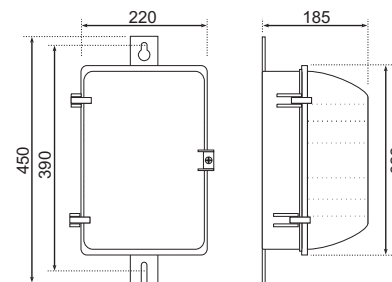


Fig. 253



Remote IP65 gearbox.
Max. distance from fitting: 20m



GERONA

- **Luxlift** The electric lowering & raising system for luminaires - see page 63
- **Safety Suspension Chain** - forms part of each Accessory Fixing Set supplied
- **Lamp colour temperatures** - refer to page 100
- **Mains Auxiliary Standby Module** - Actuates on energising during arc run-up, also on mains interruption until arc restoration. Rated for use with single phase HID circuit up to and including 1kW Max. Aux Lamp Wattage 250W. Additional wiring required between lamp and remote gearbox

LUXLIFT



LUXLIFT	Code	Dimensions
12kg/20m Luxlift c/w U-shaped fixing bracket	LLYBC0960420	Fig 148
20kg/25m Luxlift c/w U-shaped fixing bracket	LLYBC03168	Fig 149
5kg & 50kg Luxlift available on request		

Accessories - LUXLIFT	Code	Dimensions
12kg Adaptor c/w quick release steel carbine hook and cable gland	LLYKG31010K	Fig 148
20kg Adaptor c/w quick release steel carbine hook and cable gland	LLYKG3201K	Fig 149
L-shaped fixing bracket (pair) for 12kg Luxlift	LLYKG31011	Fig 148
L-shaped fixing bracket for 20kg Luxlift	LLYKG32011W	Fig 149
Aluminium base cover moulding for 12kg Luxlift	LLYKG31014W	Fig 148
Aluminium base cover moulding for 20kg Luxlift	LLYOK00521W	Fig 149

An electrical system for lowering and raising many types of Hilclare luminaires. Motor driven via a stainless steel suspension belt (12kg version) and a stainless steel suspension wire (20kg version).

The recently developed 5kg and 50kg versions of Luxlift are also now available.

Note: The aluminium base cover is used to hide the Luxlift lifting/raising mechanism, when in its upper most position thereby improving its appearance. This is useful in retail or other situations where aesthetics are important.

Fig. 148

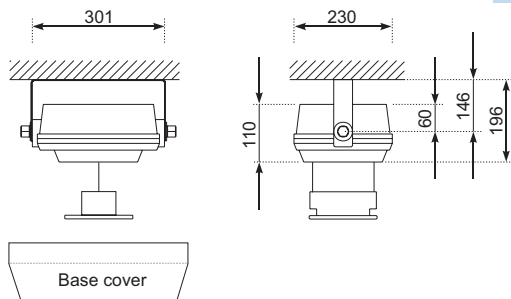
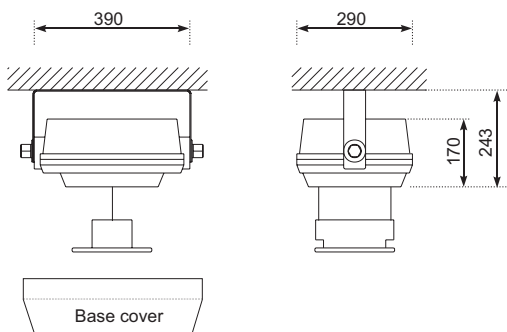


Fig. 149



LUXLIFT

- IP 20 240Volts, 50Hz - Nominal supply
- 2 Wire/dual belt suspension system for enhanced stability and safety.
- Ambient Operating Temperatures
-15°C to +40°C operation
- Installation on Inclined Ceilings
Up to 45° - for 12Kg versions of Luxlift
Up to 30° - for 20Kg versions of Luxlift
- 12Kg & 20Kg Luxlifts can be preset to stop at a pre-determined height.
- Radio controlled versions of Luxlift available on request.
- Descent interruption auto-stop mechanism.
- Automatic luminaire position locking mechanism in the case of mains failure.

PALMA

	Palma HID	Code	Dimensions
70W	SON Δ fitting c/w integral gear, timed ignitor & lamp	BHPS 70TL	Fig 99
150W	SON Δ fitting c/w integral gear, timed ignitor & lamp	BHPS 150TL	Fig 99
70W	Metal Halide fitting c/w integral gear, timed ignitor & E27 lamp	BHPH 70TLO	Fig 99
150W	Metal Halide fitting c/w integral gear, timed ignitor & E27 lamp	BHPH 150TLO	Fig 99
80W	MBF fitting c/w integral gear, & lamp	BHPM 80L	Fig 99

Ceiling or wall mounted black die-cast aluminium housing with various rear and side 20mm diameter cable entries c/w clear polycarbonate prismatic diffuser.



	Palma PL	Code	Dimensions
2 x 26W	fitting c/w high frequency ballast & lamps	BHP226 HFL	Fig 99
32W	fitting c/w high frequency ballast & lamp	BHP32 HFL	Fig 99
2 x 32W	fitting c/w high frequency ballast & lamps	BHP232 HFL	Fig 99
42W	fitting c/w high frequency ballast & lamp	BHP42 HFL	Fig 99
2 x 42W	fitting c/w high frequency ballast & lamps	BHP242 HFL	Fig 99
57W	fitting c/w high frequency ballast & lamp	BHP57 HFL	Fig 99

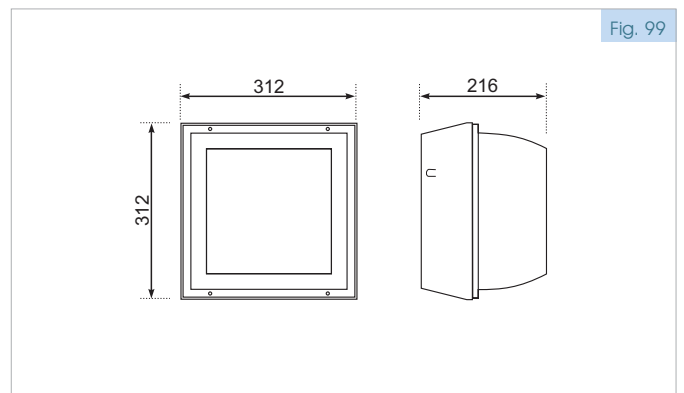


Fig. 99

Accessories - PALMA	Code
Mains auxiliary standby module c/w E27 lampholder and 250W tungsten-halogen lamp	AUX

PALMA

- **IP 54** 240 Volts 50Hz - Nominal supply
- **Suffix 'O'** = Open-Fixture Rated Lamp
- **Timed Ignitors** - Fitted as standard in all single phase Hilclare Metal Halide, SON & Ceramic Metal Halide fittings up to 1kW, to protect control gear in lamp failure condition. Not fitted in 1kW/2kW cross phase. Thermal Protection of HID Control Gear, in compliance with prevailing regulations, is installed in Hilclare products as appropriate.
- **Lamp colour temperatures** - refer to page 100
- **Emergency** (Integral) - Telephone for the most suitable option.
- **Emergency** (Remote battery pack) - available with 35W tungsten-halogen lamp.
- **Dimming** - 3 - 100% digital dimming systems are available for all compact fluorescent versions of the Palma
- **Ambient Operating Temperatures**
 -30°C to +25°C (SON)
 -20°C to +25°C (MBF & Metal Halide)

CABRITO MINOR

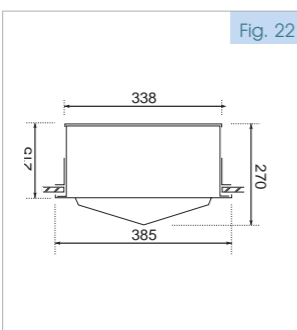


Fig. 22

Surface & recess mounted discharge light fittings for the illumination of forecourts, food handling and loading bay areas. For product specification also see page 66. Optimum lateral photometric spread for mounting heights up to 4.5m, using polycarbonate pyramid diffuser.

Recessed Rear Re-Lamping Canopy - fitting with integral control gear, lamp & diffuser c/w mains isolation via plug/socket & fused inlet Ceiling thickness: 25-200mm

	Type	Code
70W	SON	C3RS 70RTL
150W	SON	C3RS 150RTL
80W	MBF	C3RM 80RL
70W	Metal Halide (E27)	C3RH 70RTLO
150W	Metal Halide (E27)	C3RH 150RTLO

Recessed Front Re-Lamping Canopy - fitting c/w integral control gear, lamp & diffuser Ceiling thickness: 20-140mm

	Type	Code
70W	SON	C3RS 70FTL
150W	SON	C3RS 150FTL
80W	MBF	C3RM 80FL
70W	Metal Halide (E27)	C3RH 70FTLO
150W	Metal Halide (E27)	C3RH 150FTLO

Surface-mounted Front Re-Lamping Canopy - fitting c/w integral control gear, lamp & diffuser

	Type	Code
70W	SON	C3SS 70FTL
150W	SON	C3SS 150FTL
80W	MBF	C3SM 80FL
70W	Metal Halide (E27)	C3SH 70FTLO
150W	Metal Halide (E27)	C3SH 150FTLO

When ordering luminaire c/w diffuser add **/PYPC** (Polycarbonate) or **/GLC** (glass) to the above codes eg: C3RS 70RTL/**PYPC**

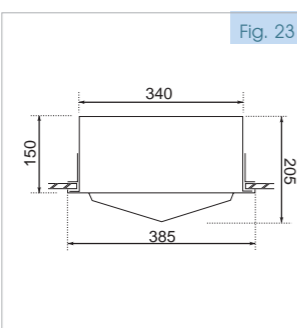


Fig. 23

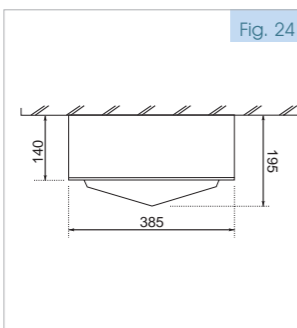


Fig. 24

Spare diffusers	Code
Minor prismatic pyramid polycarbonate diffuser Triumph type	C3PYPC
Minor flat clear toughened glass diffuser	C3GLC

Accessory	Code
Mains auxiliary standby module c/w E27 lampholder and 250W tungsten-halogen lamp	AUX

CABRITO MINOR

- Suffix 'O' indicates Open-Fixture Rated Lamp
- 'T' indicates timed ignitor fitted
- Canopy fittings are inclusive of diffuser, but the diffuser option selected must be specified when ordering
- Lamp colour temperatures - refer to page 100
- Lamp Options - additional versions on request.
- Emergency - Integral non-maintained versions on request, remote only for some versions.
- Ambient Operating Temperatures
-30°C to +25°C (SON)
-20°C to +25°C (MBF & Metal Halide)
- Mains Auxiliary Standby Module - Actuates on energising during arc run-up, also on mains interruption until arc restoration. Rated for use with single phase HID circuit up to and including 1kW Max. Aux Lamp Wattage 250W.
- Surface mounted versions of the Cabrito are not advised for insulated ceilings. Please telephone for more technical advice with this particular application.

CABRITO MAJOR

Mild steel seam-welded body & diffuser frame. Phosphate prepared with 10 year guaranteed white exterior-quality dry powder-coat finish. Gear mounted in UV protected enclosure. Front of fitting protected to IP65. Choice of diffuser: flat toughened glass or type 'A' or type 'T' polycarbonate pyramid diffuser.

Recessed Rear Re-Lamping Canopy - fitting with integral control gear, lamp, diffuser c/w mains isolation via plug/socket & fused inlet. Viewing aperture fitted as standard on backplate to check lamp integrity. Ceiling thickness: 50-225mm

	Type	Code
150W	SON	C6RS 150RTL
250W	SON	C6RS 250RTL
400W	SON	C6RS 400RTL
250W	MBF	C6RM 250RL
400W	MBF	C6RM 400RL
150W	Metal Halide	C6RH 150RTL
250W	Metal Halide	C6RH 250RTL
400W	Metal Halide	C6RH 400RTL
150W	Induction (electrodeless) 60,000hr lamp life	C6RI 150RL
500W	Halogen	C6R 500RL

Recessed Front Re-Lamping Canopy - fitting c/w integral control gear, lamp & diffuser. Ceiling thickness: 10-170mm

	Type	Code
150W	SON	C6RS 150FTL
250W	SON	C6RS 250FTL
400W	SON	C6RS 400FTL
250W	MBF	C6RM 250FL
400W	MBF	C6RM 400FL
150W	Metal Halide	C6RH 150FTL
250W	Metal Halide	C6RH 250FTL
400W	Metal Halide	C6RH 400FTL
150W	Induction (electrodeless) 60,000hr lamp life	C6RI 150FL
500W	Halogen	C6R 500FL

'T' indicates timed ignitor fitted

Surface-mounted Front Re-Lamping Canopy - fitting c/w integral control gear, lamp & diffuser

	Type	Code
150W	SON	C6SS 150FTL
250W	SON	C6SS 250FTL
400W	SON	C6SS 400FTL
250W	MBF	C6SM 250FL
400W	MBF	C6SM 400FL
150W	Metal Halide	C6SH 150FTL
250W	Metal Halide	C6SH 250FTL
400W	Metal Halide	C6SH 400FTL
150W	Induction (electrodeless) 60,000hr lamp life	C6SI 150FL
500W	Halogen	C6S 500FL

When ordering luminaire c/w diffuser add **/PYPC** (polycarbonate), **/PYAC** (acrylic), **/GLCF** or **/GLCR** (glass) to the above codes eg: C6RH250RTL/**PYPC**

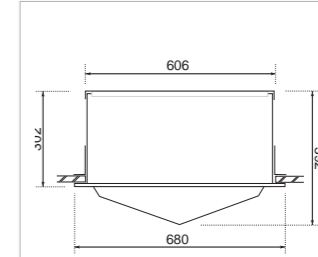


Fig. 25

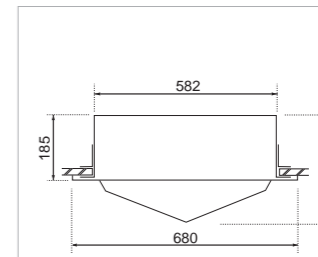


Fig. 26

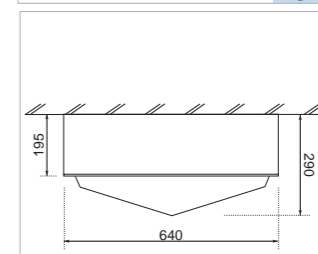


Fig. 27



Spare diffusers	Code
Major prismatic pyramid polycarbonate diffuser Arrow type (mounting heights above 4.5m)	C6APYPC
Major prismatic pyramid acrylic diffuser Triumph type (mounting height below 4.5m)	C6TPYAC
555x555mm Flat clear toughened glass diffuser (for surface & recess front re-lamping)	C6GLCF
580x580mm Flat clear toughened glass diffuser (for recess rear re-lamping)	C6GLCR

Accessory	Code
Mains auxiliary standby module c/w E27 lampholder and 250W tungsten-halogen lamp	AUX

IP Ratings	Recessed rear relamping	Recessed front relamping	Surface front relamping
Front of fitting	IP65	IP65	IP65
Rear of fitting	IP54	IP54	IP65

Integral power-on timer delay units are available for the Cabrito Major on request.

Emergency - Remote only non-maintained versions on request.

IP integrity will be dependent on the method of installation.

Mains Auxiliary Standby Module - Actuates on energising during arc run-up, also on mains interruption until arc restoration. Rated for use with single phase HID circuit up to and including 1kW Max. Aux Lamp Wattage 250W. (Other wattages available on request)

IP ratings for Cabrito Minor & Major Canopy Fittings as given here distinguish between the front (situated below ceiling level) and the rear of fitting (situated above ceiling level for recessed versions).

Recessed rear relamping versions of the Cabrito Major are supplied c/w IP65 plug/socket and lamp 'healthy' indicator mounted on the rear surface of the luminaire

CAMINO



Fig. 247

Black polycarbonate base c/w clear polycarbonate diffuser

CAMINO		Code	Dimensions
70W	SON Δ fitting (black) c/w integral gear (no ignitor) & ignitor lamp	AFCS 70IL	Fig 247

Accessories - CAMINO		Code
450mm Extension arm (pair)		AF450EA
Wire cage		AFWC1

VISTA



Fig. 3

Black polycarbonate base c/w clear polycarbonate diffuser

For white base add 'W' after 70 or 80, eg: AFVS 70WTL

VISTA		Code	Dimensions
70W	SON Δ fitting (black) c/w integral gear, (no ignitor) & ignitor lamp	AFVS 70IL	Fig 3
70W	SON Δ fitting (black) c/w integral gear, timed ignitor & lamp	AFVS 70TL	Fig 3
70W	Metal Halide fitting (black) c/w integral gear, timed ignitor & lamp, E27	AFVH 70TLO	Fig 3
80W	MBF fitting (black) c/w integral gear & lamp	AFVM 80L	Fig 3

Photocell - where required with the Vista add **P** to the end of the product code eg: AFVH70WTL**P**

Accessories - VISTA		Code
450mm Extension arm (pair)		AF450EA
Wire cage		AFWC1

BELO



Fig. 108

Dry powder coated die-cast aluminium body, c/w glass diffuser and asymmetrical reflector.

For white body add 'W' after 70 or 150, eg: AFBS 70WATL

BELO		Code	Dimensions
70W	SON fitting (black) c/w integral gear, timed ignitor, RX7s double ended lampholder & lamp	AFBS 70ATL	Fig 108
150W	SON fitting (black) c/w integral gear, timed ignitor, RX7s-24 double ended lampholder & lamp	AFBS 150ATL	Fig 108
70W	Metal Halide fitting (black) c/w integral gear, timed ignitor, RX7s double ended lampholder & lamp	AFBH 70ATL	Fig 108
150W	Metal Halide fitting (black) c/w integral gear, timed ignitor, RX7s-24 double ended lampholder & lamp	AFBH 150ATL	Fig 108

Accessories - BELO		Code
450mm Extension arm (pair)		AF450EA
Wire cage		AFWC1
Corner bracket		AFCB1

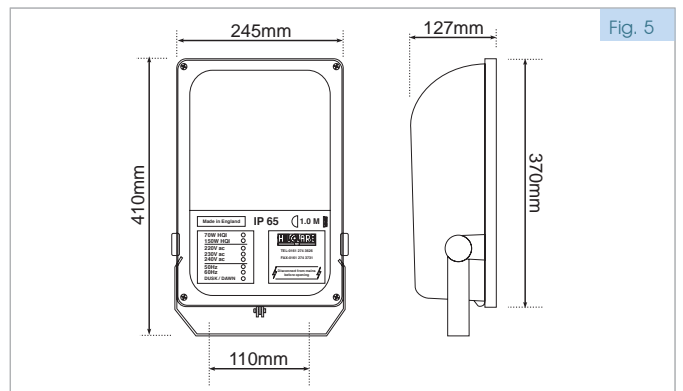
CAMINO, VISTA and BELO

- **Coloured Lamps** available in blue & green for double ended 150W Metal Halide versions of the Belo only.
- **IP 65** 240 Volts 50Hz - Nominal supply - Camino and Vista

- **IP 54** 240 Volts 50Hz - Nominal supply - Belo

AZTEC

	AZTEC	Code	Dimensions
70W	SON fitting (black) c/w integral gear, timed ignitor, RX7s double ended lampholder, symmetrical reflector & lamp	AFAS 70TL	Fig 5
150W	SON fitting (black) c/w integral gear, timed ignitor, RX7s-24 double ended lampholder, symmetrical reflector & lamp	AFAS 150TL	Fig 5
70W	SON fitting (white) c/w integral gear, timed ignitor, RX7s double ended lampholder, symmetrical reflector & lamp	AFAS 70WTL	Fig 5
150W	SON fitting (white) c/w integral gear, timed ignitor, RX7s-24 double ended lampholder, symmetrical reflector & lamp	AFAS 150WTL	Fig 5
70W	Metal Halide fitting (black) c/w integral gear, timed ignitor, RX7s double ended lampholder, symmetrical reflector & lamp	AFAH 70TL	Fig 5
150W	Metal Halide fitting (black) c/w integral gear, timed ignitor, RX7s-24 double ended lampholder, symmetrical reflector & lamp	AFAH 150TL	Fig 5
70W	Metal Halide fitting (white) c/w integral gear, timed ignitor, RX7s double ended lampholder, symmetrical reflector & lamp	AFAH 70WTL	Fig 5
150W	Metal Halide fitting (white) c/w integral gear, timed ignitor, RX7s-24 double ended lampholder, symmetrical reflector & lamp	AFAH 150WTL	Fig 5



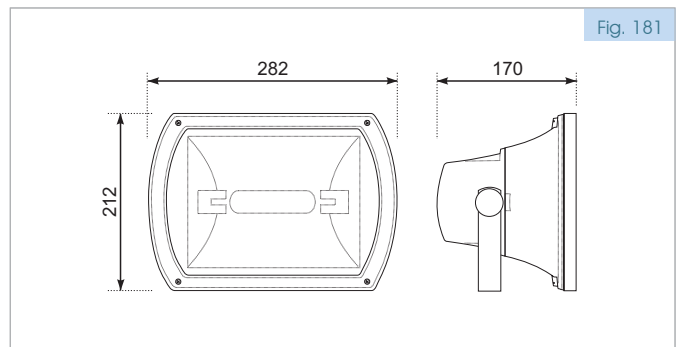
Dry powder coated die-cast aluminium body, c/w glass diffuser, symmetrical/asymmetrical reflector options.

Photocell - where required with the Aztec add 'P' to end of code, eg AFAH 150WTL P

For asymmetrical reflector versions of the Aztec, place **A** after the lamp wattage in the above codes eg: AFAS70**A**TL

IBIZA

	IBIZA	Code	Dimensions
70W	SON fitting (black) c/w integral gear, timed ignitor, RX7s double ended lampholder, symmetrical reflector & lamp	AFIS 70TL	Fig 181
150W	SON fitting (black) c/w integral gear, timed ignitor, RX7s-24 double ended lampholder, symmetrical reflector & lamp	AFIS 150TL	Fig 181
70W	Metal Halide fitting (black) c/w integral gear, timed ignitor, RX7s double ended lampholder, symmetrical reflector & lamp	AFIH 70TL	Fig 181
150W	Metal Halide fitting (black) c/w integral gear, timed ignitor, RX7s-24 double ended lampholder, symmetrical reflector & lamp	AFIH 150TL	Fig 181



Dry powder coated die-cast black aluminium body, c/w glass diffuser and symmetrical reflector.

Photocell - Not available with the IBIZA

Accessories - AZTEC and IBIZA	Code
450mm Extension arm (pair)	AF450EA
Wire cage	AFWC1
Wire guard	AFAWG (AZTEC only)

AZTEC AND IBIZA

- **Coloured Lamps** Available in blue & green for double ended 150W Metal Halide versions
- **Ambient Operating Temperatures** -30° C to +25° C (SON)
-20° C to +25° C (MBF & Metal Halide)
- **For lamp colour temperatures** - See page 100
- **IP 65** 240 Volts 50Hz - Nominal supply

Medium Beam Economy Floodlight

150 - 400W

RIO



Polycarbonate *
dished diffuser

Black dry powder-coated die-cast aluminium body & front frame, c/w toughened glass diffuser. Re-inforced polypropylene gear housing cover.

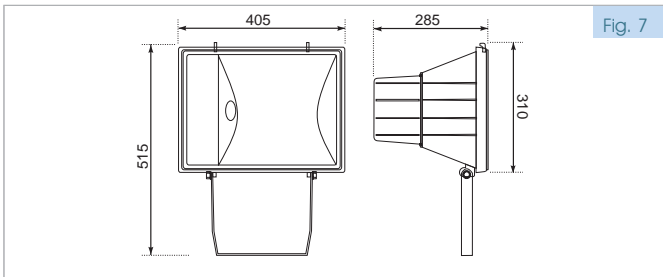


Fig. 7

	RIO	Code	Dimensions
150W	SON Δ fitting (black) c/w integral gear, timed ignitor & lamp	AFRS 150TL	Fig 7
250W	SON Δ fitting (black) c/w integral gear, timed ignitor & lamp	AFRS 250TL	Fig 7
400W	SON Δ fitting (black) c/w integral gear, timed ignitor & lamp	AFRS 400TL	Fig 7
250W	MBF fitting (black) c/w integral gear & lamp	AFRM 250L	Fig 7
400W	MBF fitting (black) c/w integral gear & lamp	AFRM 400L	Fig 7
150W	Metal Halide fitting (black) c/w integral gear, timed ignitor & lamp, E40	AFRH 150TL	Fig 7
250W	Metal Halide fitting (black) c/w integral gear, timed ignitor & lamp	AFRH 250TL	Fig 7
400W	Metal Halide fitting (black) c/w integral gear, timed ignitor & lamp	AFRH 400TL	Fig 7

Accessories - RIO	Code	Dimensions
Front wire guard	AFRWG	Fig 7
Adjustable Corner bracket	AFCB2	Fig 7
* Barn door	AFRBD	Fig 7
* Adjustable horizontal glare louvre	AFRLV	Fig 7
* Glare baffle	AFRGB	Fig 7
* Polycarbonate dished diffuser (used in conjunction with the toughened glass diffuser, for interior use only)	AFRDCC	
Wire Cage	AFWC2	

* not suitable for retro-fitting

Wide Beam Economy Floodlight

150 - 400W

QUITO



Black dry powder-coated die-cast aluminium body & front frame, c/w toughened glass diffuser.

Fig. 97

	QUITO	Code	Dimensions
150W	SON Δ fitting (black) c/w integral gear, timed ignitor & lamp	AFQS 150TL	Fig 97
250W	SON Δ fitting (black) c/w integral gear, timed ignitor & lamp	AFQS 250TL	Fig 97
400W	SON Δ fitting (black) c/w integral gear, timed ignitor & lamp	AFQS 400TL	Fig 97
250W	MBF fitting (black) c/w integral gear & lamp	AFQM 250L	Fig 97
250W	Metal Halide fitting (black) c/w integral gear, timed ignitor & lamp	AFQH 250TL	Fig 97
400W	Metal Halide fitting (black) c/w integral gear, timed ignitor & lamp	AFQH 400TL	Fig 97

Accessories - QUITO	Code	Dimensions
Adjustable corner bracket	AFCB2	Fig 97
Wire Cage	AFWC2	

RIO and QUITO

- **Mains Auxiliary Stand-by Module** - Actuates on energising during arc run-up, also on mains interruption until arc restoration. Rated for use with a single phase HID circuit up to and including 1kW Max. Aux Lamp max Wattage 250W.
- **Photocell** - Where required specify by adding 'P' to the end of the product code eg: AFQS 150TL^P 400W SON not available with photocell

- **IP 65** 240 Volts 50Hz - Nominal supply
- **Coloured lamps** available in blue and green for 250W and 400W Metal Halide versions of the Rio and Quito and pink for 400W only.

W/ts	MARIN (symmetrical reflector)	Code	Dimensions
150W	SON Δ fitting c/w integral gear, timed ignitor & lamp	AFMS 150TL	Fig 251
250W	SON Δ fitting c/w integral gear, timed ignitor & lamp	AFMS 250TL	Fig 251
400W	SON Δ fitting c/w integral gear, timed ignitor & lamp	AFMS 400TL	Fig 251
250W	MBF fitting c/w integral gear & lamp	AFMM 250L	Fig 251
150W	Metal Halide fitting c/w integral gear, timed ignitor & lamp, E40	AFMH 150TL	Fig 251
250W	Metal Halide fitting c/w integral gear, timed ignitor & lamp	AFMH 250TL	Fig 251
400W	Metal Halide fitting c/w integral gear, timed ignitor & lamp	AFMH 400TL	Fig 251

For asymmetrical reflector place **A** after lamp wattage figure in the above codes eg: AFMS150**A**TL

Accessories - MARIN	Code
Adjustable corner bracket	AFCB2

Black PBT moulded body and snap action diffuser securing clips, toughened glass diffuser, stainless steel mounting bracket, symmetrical or asymmetrical reflector.

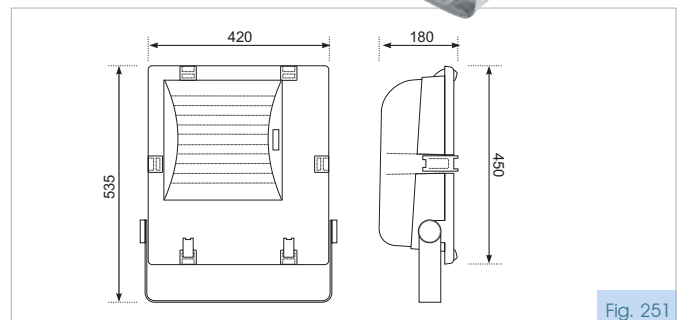


Fig. 251

BRACKETS and SPIGOTS

COLUMNS and SPIGOTS	Code	Dimensions
Single Floodlight mounting spigot (for use with columns up to 6 metres high, 76mm dia)	CMSP 1	
Floodlight mounting spigot for 2 and 4 fittings (for use with columns up to 6 metres high, 76mm dia)	CMSP 2/4	
Column reducing adaptor to convert the top of a 114mm diam column to 76mm diam (compatible with the above spigots)	CM 114R76	
Column Outreach Bracket 30cm to suit 76mm column diameter, sidearm 50mm O.dia (for use with road lighting luminaires)	RLR03076	Fig 76 (see pages 78 & 80)
Cross-arm Spigot for four fittings (various types available on request)		
Column mounting bracket 76mm dia (for use with two 30cm street lighting outreach brackets type RLR03076)	CMDTM	



MARIN

- Coloured lamps available in blue & green for 250 & 400W Metal Halide versions of the Marin and pink for 400W only

- For lamp colour temperatures - See page 100
- IP 55 240 Volts 50Hz - Nominal supply



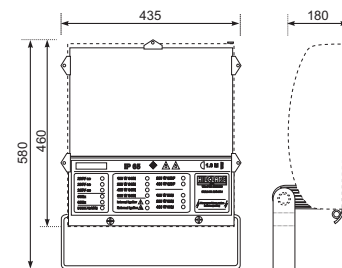
	Talca (black)	Code	Dimensions
150W	SON Δ fitting c/w integral gear, timed ignitor & lamp	AFTS 150TL (Sym) AFTS 150ATL (Asym)	Fig 6 Fig 6
250W	SON Δ fitting c/w integral gear, timed ignitor & lamp	AFTS 250TL (Sym) AFTS 250ATL (Asym)	Fig 6 Fig 6
400W	SON Δ fitting c/w integral gear, timed ignitor & lamp	AFTS 400TL (Sym) AFTS 400ATL (Asym)	Fig 6 Fig 6
250W	MBF fitting c/w integral gear & lamp	AFTM 250L (Sym)	Fig 6
400W	MBF fitting c/w integral gear & lamp	AFTM 400L (Sym)	Fig 6
150W	Metal Halide fitting c/w integral gear, timed ignitor & lamp, E40	AFTH 150TL (Sym) AFTH 150ATL (Asym)	Fig 6 Fig 6
250W	Metal Halide fitting c/w integral gear, timed ignitor & lamp	AFTH 250TL (Sym) AFTH 250ATL (Asym)	Fig 6 Fig 6
400W	Metal Halide fitting c/w integral gear, timed ignitor & lamp	AFTH 400TL (Sym) AFTH 400ATL (Asym)	Fig 6 Fig 6

White or black dry powder-coated die-cast aluminium body c/w toughened glass diffuser, symmetrical or asymmetrical reflector.

Accessories - TALCA	Code	Dimensions
Front wire guard	AFTWG	Fig 6
Adjustable Corner bracket	AFCB2	Fig 6
Barn door	AFTBD	Fig 6
Adjustable horizontal glare louvre	AFTLV	Fig 6
Glare baffle	AFTGB	Fig 6



Fig. 6



TALCA

- **IP 65** 240 Volts 50Hz - Nominal supply
- **Photocell** - Where required specify by adding 'P' to the end of the product code eg: AFTS 150TLP
- **Colour** - Black is standard. For White insert 'W' after the wattage figure eg AFTH 400WATL.
- **Ambient Operating Temperatures**
-30°C to +25°C (SON)
-20°C to +25°C (MBF & Metal Halide)
- **Mains Auxiliary Stand-by Module** actuates on energising during arc run-up, also on mains interruption until arc restoration. Rated for use with a single phase HID circuit up to and including 1kW Max. Aux Lamp max Wattage 250W.
- **Coloured Lamps** available in blue & green for 250 & 400W Metal Halide versions of the Talca and pink for 400W only
- **For lamp colour temperatures** - See page 100

PACO

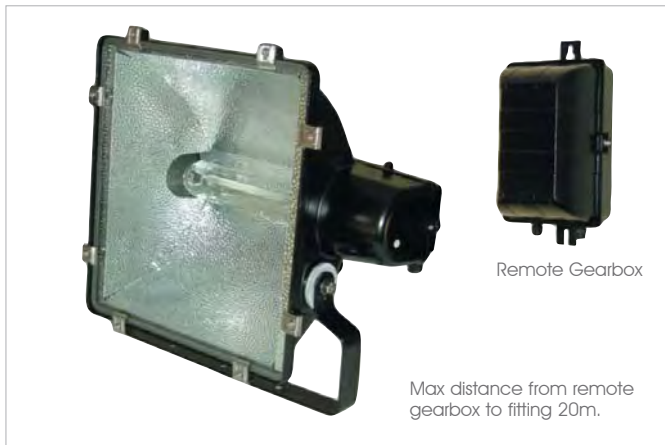
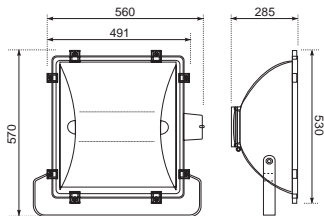


Fig. 8



	PACO	Code	Dimensions
1000W	SON Δ fitting and 'T' lamp, E40 lampholder plus IP65 remote gearbox c/w impulse timed ignitor	AFPS 1KIPTL	Fig 8
1000W	Metal Halide fitting and 'T' lamp, E40 lampholder, plus IP65 remote gearbox c/w impulse timed ignitor	AFPH 1KIPTL	Fig 8

Black, dry powder coated die-cast aluminium body, c/w toughened glass diffuser and symmetrical reflector.

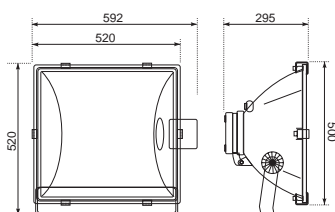
- **Remote Gearbox** - Contains the ballast, the power factor correction & ignition components.
- **IP 65** 240 Volts 50Hz - Nominal supply
- **Timed Ignitors** - Fitted as standard in all single phase Hilclare Metal Halide, SON & Ceramic Metal Halide fittings up to 1kW, to protect control gear in lamp failure condition. Not fitted in 1kW/2kW cross phase.

Thermal Protection of HID Control Gear, in compliance with prevailing regulations, is installed in Hilclare products as appropriate.

GRANDE



Fig. 9



	GRANDE	Code	Dimensions
2000W	Metal Halide fitting and lamp, E40 lampholder, c/w IP65 remote gearbox (suitable for 415V max. supply)	AFGH 2K4IPL	Fig 9

Black, dry powder coated die-cast aluminium body, c/w toughened glass diffuser and symmetrical reflector.

- **Remote Gearbox** - Contains the ballast, power factor correction & ignition components.
- **IP 65** 415 Volts 50Hz - Nominal supply (cross-phase)
- **Ambient Operating Temperatures**
-30°C to +25°C (SON)
-20°C to +25°C (Metal Halide)
- **Timed Ignitors** - Not available for the Grande.
- **For lamp colour temperatures** - See page 100

LUGO

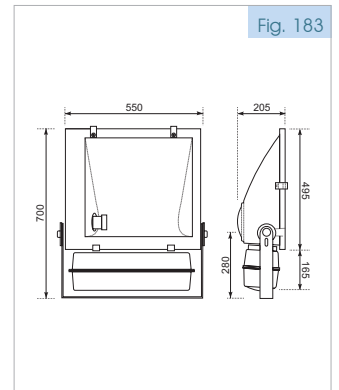
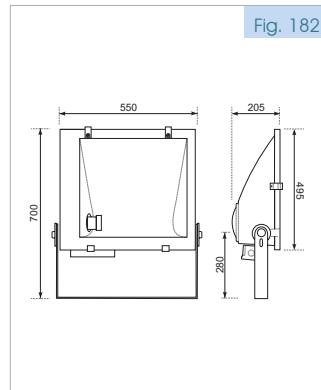
	Floodlights c/w asymmetrical reflector	Code	Dimensions
1000W	SON Δ fitting and 'T' lamp, E40 lampholder plus IP65 remote gearbox c/w impulse timed ignitor (suitable for 240V supply)	AFLS1KIPATL	Fig 182
1000W	1000W Metal Halide fitting and 'T' lamp, E40 lampholder, plus IP65 remote gearbox c/w impulse timed ignitor (suitable for 240V supply)	AFLH1KIPATL	Fig 182
1000W	SON Δ fitting and 'T' lamp, E40 lampholder plus integral IP65 gearbox c/w impulse timed ignitor (suitable for 240V supply)	AFLS1KATL	Fig 183
1000W	1000W Metal Halide fitting and 'T' lamp, E40 lampholder, plus integral IP65 gearbox c/w impulse timed ignitor (suitable for 240V supply)	AFLH1KATL	Fig 183

Black, dry powder coated die-cast aluminium body, c/w toughened glass diffuser. Available with or without integral IP65 gear housing.

Ambient Operating Temperatures

-30°C to +25°C (SON)
-20°C to +25°C (MBF & Metal Halide)

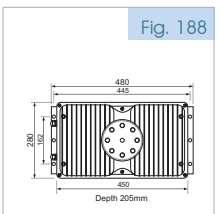
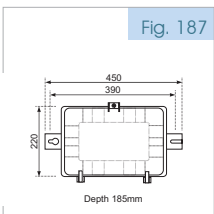
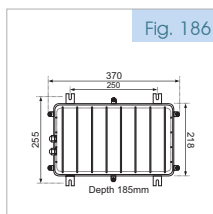
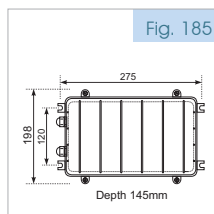
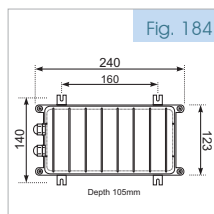
IP65 240 Volts 50Hz - Nominal supply



LEON

IP65 Gearboxes	Code	Dimensions
Leon 80 (empty) for use with max 80 Watts gear	GBL80	Fig 184
Leon 250 (empty) for use with max 250 Watts gear	BGL250	Fig 185
Leon 1000 (empty) for use with max 1000 Watts gear	GBLIKA	Fig 186
Leon 1000B (empty) for use with max 1000B Watts gear	GBL1KB	Fig 187
Leon 2000 (empty) for use with max 2000 Watts gear	GBL2K	Fig 188

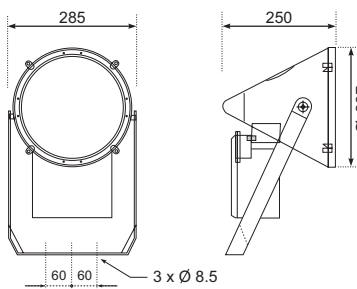
A range of five IP65 black die-cast aluminium gearboxes c/w surface mounting brackets. Silicone gaskets and two 20mm diameter cable glands.



ESTRELLA MINOR



Fig. 89



70 - 150W		Code	Dimensions
70W	Metal Halide variable focus projector, integral gear c/w timed ignitor & G12 T. lamp	PEH 70TL	Fig 89
70W	Ceramic Metal Halide variable focus projector, integral gear c/w timed ignitor & G12 T. lamp	PEH 70TLC	Fig 89
150W	Metal Halide variable focus projector, integral gear c/w timed ignitor & G12 T. lamp	PEH 150TL	Fig 89
150W	Ceramic Metal Halide variable focus projector, integral gear c/w timed ignitor & G12 T. lamp	PEH 150TLC	Fig 89

Accessories - ESTRELLA MINOR		Code	Dimensions
Louvre, Black		PE LV	Fig 89
Cowl, Black		PE CL	Fig 89

Black, polyester powder coated die-cast aluminium body and rear cover, c/w aluminium reflector, variable lamp focus, toughened glass diffuser, and integral gear.

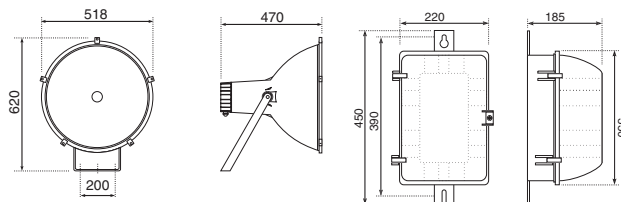
Beam Angle - From 2x3.5° to 2x7.5°

ESTRELLA 400



Remote IP65 Gearbox
Max distance from fitting: 1m.

Fig. 80



150 - 400W		Code	Dimensions
150W	SON variable focus projector, remote gearbox c/w timed ignitor & T. lamp, E40	PES 150TL	Fig 80
250W	SON variable focus projector, remote gearbox c/w timed ignitor & T. lamp, E40	PES 250TL	Fig 80
250W	Metal Halide variable focus projector, remote gearbox c/w timed ignitor & T. lamp, E40	PEH 250TL	Fig 80
400W	SON variable focus projector, remote gearbox c/w timed ignitor & T. lamp, E40	PES 400TL	Fig 80
400W	Metal Halide variable focus projector, remote gearbox c/w timed ignitor & T. lamp, E40	PEH 400TL	Fig 80

Black, polyester powder coated die-cast aluminium body and cover, c/w anodised polished aluminium reflector, variable lamp focus, adjustable aiming device, galvanised steel mounting bracket, toughened glass diffuser, and remote gearbox.

ESTRELLA MINOR & ESTRELLA 400

Coloured Lamp Option - blue & green (150W only) (Estrella Minor)

Ambient Operating Temperatures
-30°C to +25°C (SON)
-20°C to +25°C (MBF & Metal Halide)

IP 55/65 240 Volts 50Hz - Nominal supply

Coloured Lamp Option - blue, green & pink (400W only) (Estrella Major)
For lamp colour temperatures - See page 100

ESTRELLA 1000

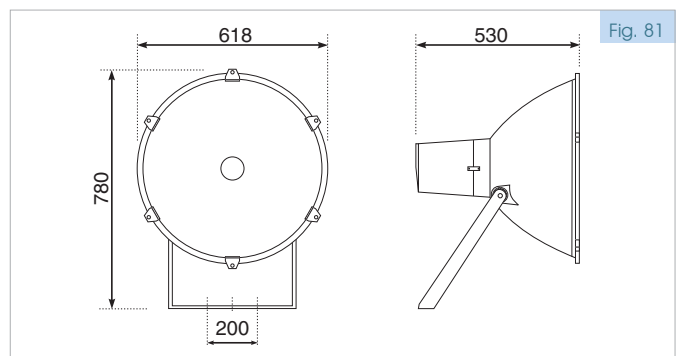
	ESTRELLA 1000	Code	Dimensions
1kW	SON fitting c/w lamp, timed ignitor and remote gearbox, 240V	PES 1KTL	Fig 81
1kW	Metal Halide fitting c/w lamp, timed ignitor and remote gearbox, 240V	PEH 1KTL	Fig 81

Black, polyester powder coated die-cast aluminium body and cover, c/w anodised polished aluminium reflector, variable lamp focus, adjustable aiming device, galvanised steel mounting bracket, toughened glass diffuser, and remote gearbox(s).

Beam Angle

- 2 x 7° (SON)
- 2 x 8° (Metal Halide)

IP 55/65 240 Volts 50Hz -Nominal supply

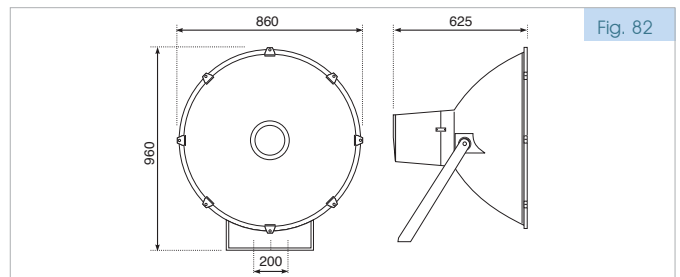


ESTRELLA 2000

	Estrella 2000	Code	Dimensions
2kW	Metal Halide fitting c/w lamp, and remote gearbox, 415V	PEH 2K4L	Fig 82

Beam Angle - 2 x 4° 30'

IP 55/65 415 Volts 50Hz - Nominal supply



Estrella 1000 & Estrella 2000

- **Timed Ignitors** - Fitted as standard in all single phase Hilclare Metal Halide, SON & Ceramic Metal Halide fittings up to 1kW, to protect control gear in lamp failure condition. Not fitted in 2kW cross phase. Not available for Estrella 2000
- **Remote IP65 Gearbox** - Max. distance from fitting: 20m.
- **For lamp colour temperatures** - See page 100
- Thermal Protection of HID Control Gear, in compliance with prevailing regulations, is installed in Hilclare products as appropriate.
- **Ambient Operating Temperatures**
-30°C to +25°C (SON)
-20°C to +25°C (MBF & Metal Halide)

DORADO



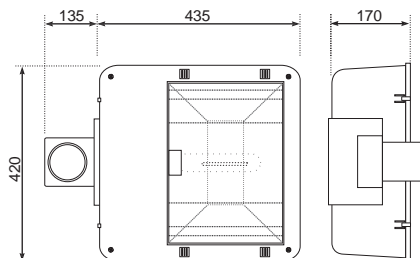
Black dry powder coated aluminium body and hinged lid c/w integral gear and low light-spillage reflector, toughened glass diffuser and single 76mm diameter column mounting bracket.

DORADO	CODE	DIMENSIONS
150W SON Δ fitting c/w integral gear, timed ignitor & lamp	AFDS 150TL (Sym) AFDS 150ATL (Asym)	Fig 68 Fig 68
250W SON Δ fitting c/w integral gear, timed ignitor & lamp	AFDS 250TL (Sym) AFDS 250ATL (Asym)	Fig 68 Fig 68
400W SON Δ fitting c/w integral gear, timed ignitor & lamp	AFDS 400TL (Sym) AFDS 400ATL (Asym)	Fig 68 Fig 68
150W Metal Halide fitting c/w integral gear, timed ignitor & lamp, E40	AFDH 150TL (Sym) AFDH 150ATL (Asym)	Fig 68 Fig 68
250W Metal Halide fitting c/w integral gear, timed ignitor & lamp	AFDH 250TL (Sym) AFDH 250ATL (Asym)	Fig 68 Fig 68
400W Metal Halide fitting c/w integral gear, timed ignitor & lamp	AFDH 400TL (Sym) AFDH 400ATL (Asym)	Fig 68 Fig 68
250W MBF fitting c/w integral gear & lamp	AFDM 250L (Sym)	Fig 68

The above codes are for lamp axis parallel to the ground. For lamp axis at 15° elevation to the ground (symmetrical reflector version only) add **IS** to the end of the product code.

Accessories - DORADO	Code	Dimensions
Column mounting bracket for 2 fittings 76mm	CMDTM	
Wall mounting bracket for single fitting	AFDWM	

Fig.68



DORADO

- Either symmetrical or asymmetrical reflectors are options with the Dorado. These are coupled with column mounting brackets which result in the axis of the lamp being either parallel to the ground (asym and sym reflector versions) or at 15° elevation to the ground (sym reflector).
- Mains Auxiliary Stand-by Module Actuates on energising during arc run-up, also on mains interruption until arc restoration. Rated for use with a single phase HID circuit up to and including 1kW Max. Aux Lamp max Wattage 250W.

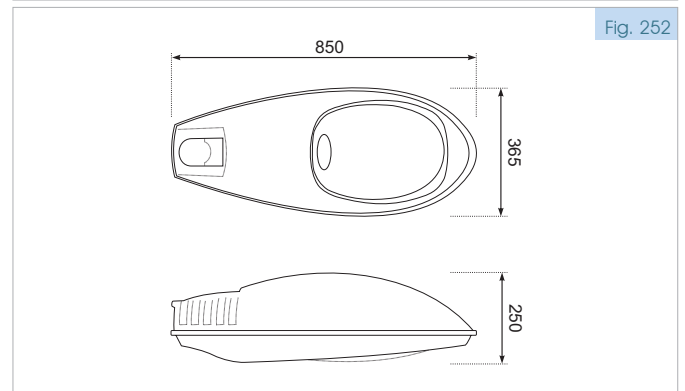
- **Ambient Operating Temperatures**
-30°C to +25°C (SON)
-20°C to +25°C (MBF & Metal Halide)
- **For lamp colour temperatures** - See page 100
- **Photocell** - NEMA Type available - specify by adding 'P' to end of code.
- **IP65** 240 Volts 50Hz - Nominal supply

MAMEDE

	MAMEDE	Code	Dimensions
150W	SON Δ fitting c/w integral gear, timed ignitor and lamp, E40	RLMS 150TL	Fig 252
250W	SON Δ fitting c/w integral gear, timed ignitor and lamp, E40	RLMS 250TL	Fig 252
400W	SON Δ fitting c/w integral gear, timed ignitor and lamp, E40	RLMS 400TL	Fig 252
150W	Metal Halide fitting c/w integral gear, timed ignitor and lamp, E40	RLMH 150TL	Fig 252
250W	Metal Halide fitting c/w integral gear, timed ignitor and lamp, E40	RLMH 250TL	Fig 252
400W	Metal Halide fitting c/w integral gear, timed ignitor and lamp, E40	RLMH 400TL	Fig 252

Accessories - MAMEDE	Code	Dimensions
Column outreach bracket 30cm, to suit 76mm column diameter	RLR03076	Fig 252
Wall mounting bracket	RLWMB1	Fig 252

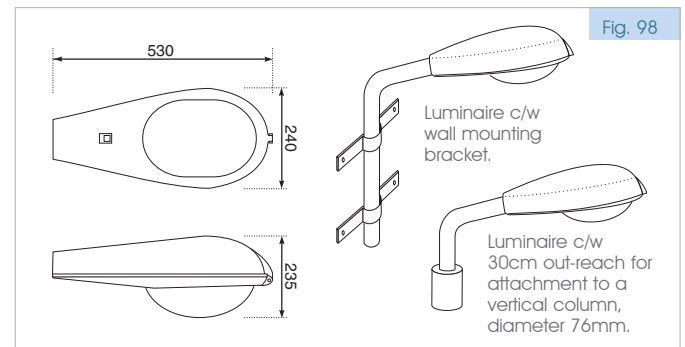
Grey powder coated die-cast aluminium gear housing (IP64) with a snap closing hinged cover. Optical unit (IP65) c/w moulded clear glass diffuser. The Mamede is designed to accept an outreach bracket with a diameter of 50-60mm and a post top with a diameter of 76mm. Adjustable vertical orientation of the Mamede can be achieved with post-top mounting.



ESTADA

	ESTADA	Code	Dimensions
70W	SON Δ fitting c/w integral gear, timed ignitor & lamp	RLES 70TL	Fig 98
70W	Metal Halide fitting c/w integral gear, timed ignitor & lamp, E27	RLEH 70TLO	Fig 98
80W	MBF fitting c/w integral gear & lamp	RLEM 80L	Fig 98

Side-entry, grey powder-coated die-cast aluminium housing (IP43) with snap-closing hinged cover. Optical unit (IP64) c/w moulded clear glass prismatic diffuser.



Accessories - ESTADA	Code	Dimensions
Column outreach bracket 30cm, to suit 76mm column diameter	RLR03076	Fig 98
Wall mounting bracket	RLWMB1	Fig 98

MAMEDE & ESTADA

- IP 43/64 240 Volts 50Hz - Nominal supply - Estada
- IP 64/65 240 Volts 50Hz - Nominal supply - Mamede
- Photocell - NEMA Type available - specify by adding 'P' to end of the code (Mamede only).
- Suffix 'O' = Open-Fixture Rated Lamp
- Designed to accept an outreach bracket with a diameter of 50mm (Estada) and 50-60mm (Mamede).
- Ambient Operating Temperatures
 - 30°C to +25°C (SON)
 - 20°C to +25°C (MBF & Metal Halide)



TOLEDO

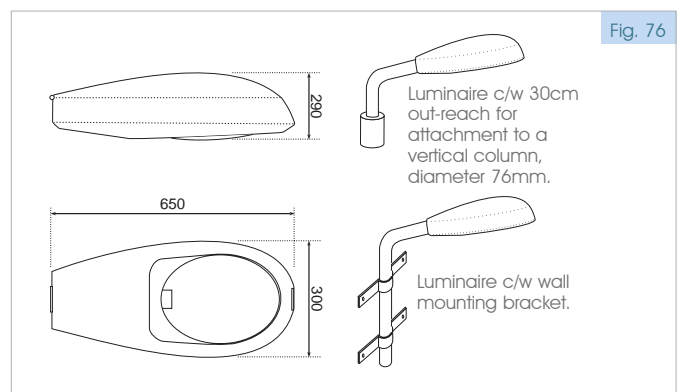
	TOLEDO	Code	Dimensions
70W	SON Δ fitting c/w integral gear, timed ignitor and lamp, E27.	RLTS 70TL	Fig 76
150W	SON Δ fitting c/w integral gear, timed ignitor and lamp, E40.	RLTS 150TL	Fig 76
250W	SON Δ fitting c/w integral gear, timed ignitor and lamp, E40.	RLTS 250TL	Fig 76
70W	Metal Halide fitting c/w integral gear, timed ignitor and lamp, E27.	RLTH 70TLO	Fig 76
150W	Metal Halide fitting c/w integral gear, timed ignitor and lamp, E40.	RLTH 150TL	Fig 76
250W	Metal Halide fitting c/w integral gear, timed ignitor and lamp, E40.	RLTH 250TL	Fig 76

Side-entry, grey powder-coated die-cast aluminium housing (IP43) with snap-closing cover. Optical unit (IP65) with ultra high purity anodised aluminium reflector. The Toledo is designed to accept an outreach bracket with a diameter of 50mm.

Accessories - TOLEDO	Code	Dimensions
Column outreach bracket 30cm, to suit 76mm column diameter	RLR03076	Fig 76
Wall mounting bracket	RLWMB1	Fig 76



Fig. 76



Luminaire c/w 30cm out-reach for attachment to a vertical column, diameter 76mm.

Luminaire c/w wall mounting bracket.

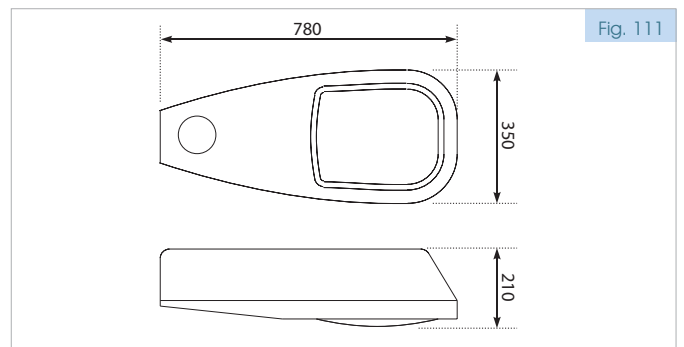
KAMPO

	KAMPO	Code	Dimensions
70W	SON Δ fitting c/w integral gear, timed ignitor and lamp, E27.	RLKS 70TL	Fig 111
150W	SON Δ fitting c/w integral gear, timed ignitor and lamp, E40.	RLKS 150TL	Fig 111
250W	SON Δ fitting c/w integral gear, timed ignitor and lamp, E40.	RLKS 250TL	Fig 111
70W	Metal Halide fitting c/w integral gear, timed ignitor and lamp, E27.	RLKH 70TLO	Fig 111
150W	Metal Halide fitting c/w integral gear, timed ignitor and lamp, E40.	RLKH 150TL	Fig 111
250W	Metal Halide fitting c/w integral gear, timed ignitor and lamp, E40.	RLKH 250TL	Fig 111

Post-top mounted grey powder-coated die-cast aluminium housing (IP43) with snap-closing cover. Optical unit (IP65) with ultra high purity anodised aluminium reflector. The Kampo is designed to accept a post-top with a diameter of 76mm.



Fig. 111



TOLEDO AND KAMPO

- Photocell - NEMA Type available - specify by adding 'P' to end of code.
- Suffix 'O' = Open-Fixture Rated Lamp
- IP 43/65 240 Volts 50Hz - Nominal supply
- Ambient Operating Temperatures
-30°C to +25°C (SON)
-20°C to +25°C (MBF & Metal Halide)
- For lamp colour temperatures - See page 100

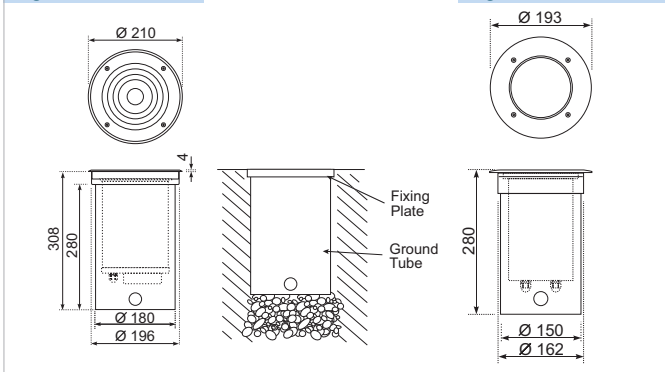
ZAFRA



Two sizes of Zafra luminaire are available, both have a dry powder-coated die-cast aluminium base and top, with dry powder coated extruded aluminium body c/w stainless steel cover plate and impact-resistant glass diffuser. All set in extruded PVC ground tube with pressed steel fixing plate.

Fig. 86 ZAFRA MAJOR

Fig. 180 ZAFRA MINOR

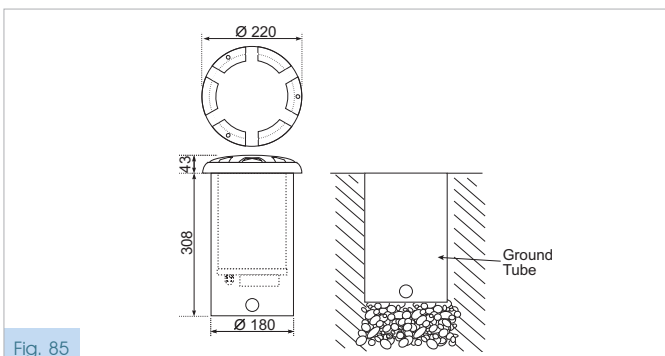


ZAFRA Major PL Walk-over		Code	Dimensions
10W	Compact Fluorescent c/w switch start ballast and lamp	WOZ 10L	Fig 86
13W	Compact Fluorescent c/w switch start ballast and lamp	WOZ 13L	Fig 86
18W	Compact Fluorescent c/w switch start ballast and lamp	WOZ 18L	Fig 86
26W	Compact Fluorescent c/w switch start ballast and lamp	WOZ 26L	Fig 86

ZAFRA Major HID/LED Walk-over		Code	Dimensions
35W	Ceramic Metal Halide c/w integral gear, timed ignitor & G12 lamp	WOZH 35TLC	Fig 86
	Light Emitting Diode (LED) An Array of 25 Super bright LED's, 5000mcd each, c/w with power unit. Less than 5W total power dissipation. Available in: red, blue, green and yellow. Specify colour when ordering	WOLZ 25RD WOLZ 25BL WOLZ 25GR WOLZ 25YE	Fig 86 Fig 86 Fig 86 Fig 86

ZAFRA Minor LED Walk-over		Code	Dimensions
	Light Emitting Diode (LED) An Array of 25 Super bright LED's, 5000mcd each, c/w with power unit. Less than 5W total power dissipation. Available in: red, blue, green and yellow. Specify colour when ordering	WOLZM 25RD WOLZM 25BL WOLZM 25GR WOLZM 25YE	Fig 180 Fig 180 Fig 180 Fig 180

LOJA



LOJA PL Drive-over		Code	Dimensions
10W	Compact Fluorescent c/w switch start ballast and lamp	DOL 10L	Fig 85
13W	Compact Fluorescent c/w switch start ballast and lamp	DOL 13L	Fig 85
18W	Compact Fluorescent c/w switch start ballast and lamp	DOL 18L	Fig 85
26W	Compact Fluorescent c/w switch start ballast and lamp	DOL 26L	Fig 85

LOJA HID/LED Drive-over		Code	Dimensions
35W	Ceramic Metal Halide c/w integral gear, timed ignitor & G12 lamp	DOLH 35TLC	Fig 85
	Light Emitting Diode (LED) An Array of 25 Super bright LED's, 5000mcd each, c/w with power unit. Less than 5W total power dissipation. Available in: red, blue, green and yellow. Specify colour when ordering	DOLL 25RD DOLL 25BL DOLL 25GR DOLL 25YE	Fig 85 Fig 85 Fig 85 Fig 85

Dry powder-coated die-cast aluminium base and top, with dry powder coated extruded aluminium body c/w die-cast aluminium cover plate and moulded glass diffuser. All set in extruded PVC ground tube. 1500kg load limit.

ZAFRA & LOJA

• Other Lamp Versions on Application

• IP 67 240 Volts 50 Hz - Nominal Supply

CARMONA

	CARMONA	Code	Dimensions
26W	Compact fluorescent fitting c/w switch-start gear & lamp, white aluminium louvres & clear polycarbonate diffuser, flat top cap, root mounted	BC94AW 26L	Fig 244
35W	Metal halide fitting c/w integral gear, timed ignitor, lamp (G12), white aluminium louvres & clear polycarbonate diffuser, flat top cap, root mounted	BC94AWH 35TL	Fig 244
70W	Metal halide fitting c/w integral gear, timed ignitor, lamp (E27), white aluminium louvres & clear polycarbonate diffuser, flat top cap, root mounted	BC94AWH 70TL <i>white louvre only</i>	Fig 244
50W	SON fitting c/w integral gear, timed ignitor, lamp (E27), white aluminium louvres & clear polycarbonate diffuser, flat top cap, root mounted	BC94AWS 50TL	Fig 244
70W	SON fitting c/w integral gear, timed ignitor, lamp (E27), white aluminium louvres & clear polycarbonate diffuser, flat top cap, root mounted	BC94AWS 70TL	Fig 244
	Dummy fitting, no gear or louvres c/w opal polycarbonate diffuser, flat top cap, root mounted	BC94NO	Fig 244

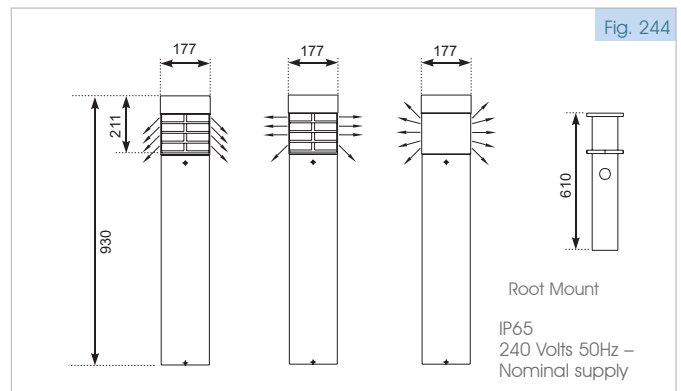
Black polyester coated steel tubular body and top cap. Clear and opal injection moulded polycarbonate diffuser and a number of louvre variants offer a range of photometric options. Round and flat top cap versions are available along with root and flange mounted options.

For Stainless Steel louvre versions replace a AW with S in the above produce codes eg BC94S26L.

For versions with opal diffuser and no louvre replace AW with NO in the above product codes eg BC94NO26L.

For flange mounted versions place F after 4 in the above product codes eg BC94FAW26L.

For round top versions of the Carmona, place R after C in the above product codes.



Conical white aluminium louvres & clear pc diffuser for indirect downward illumination

Flat stainless steel louvres & clear polycarbonate diffuser for direct lateral and downward illumination

Opal polycarbonate diffuser (no louvres) for omni-directional illumination

Root Mount
IP65
240 Volts 50Hz –
Nominal supply

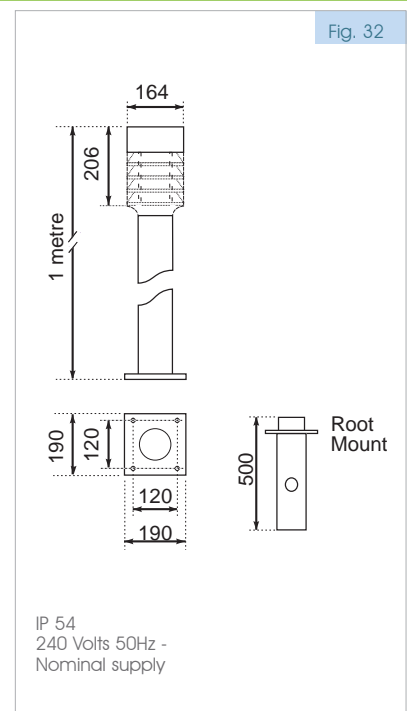
BOLLO

	BOLLO	Code	Dimensions
60W	GLS fitting	BO 11G60	Fig 32
70W	SON fitting c/w gear, timed ignitor & lamp	BO 11S70TL	Fig 32
70W	Metal Halide fitting c/w gear, timed ignitor & lamp, E27	BO 11H70TLO	Fig 32
80W	MBF fitting c/w gear & lamp	BO 11M80L	Fig 32
26W	PL fitting c/w gear & lamp (switch start)	BO 11PL26L	Fig 32

Black polyester coated steel tubular body welded to black mounting plate. White dry powder coated die-cast aluminium louvred lighting head, with reflector & internal clear glass diffuser.

The white louvres are designed to give indirect illumination only, thereby reducing glare.

Accessories - BOLLO	Code	Dimensions
Galvanised steel root mount	BORMST	Fig 32
J bolts c/w nuts & washers & location template for flange mounting	BOJ1	



IP 54
240 Volts 50Hz –
Nominal supply

Root Mount
500

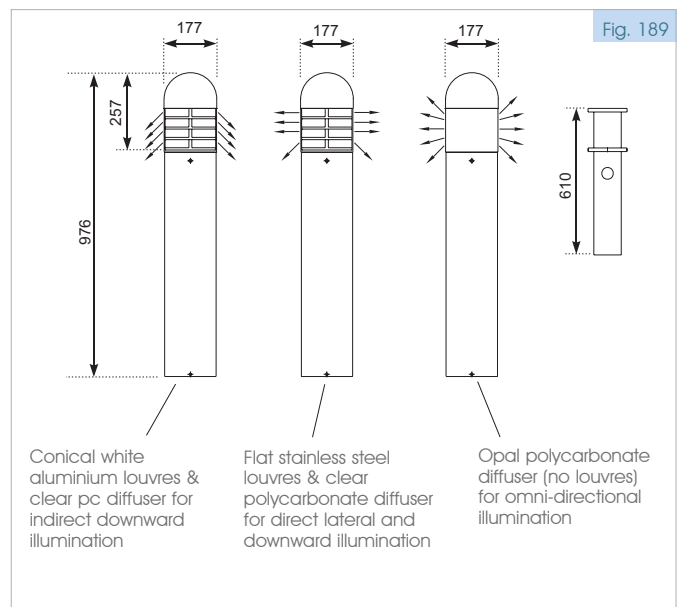
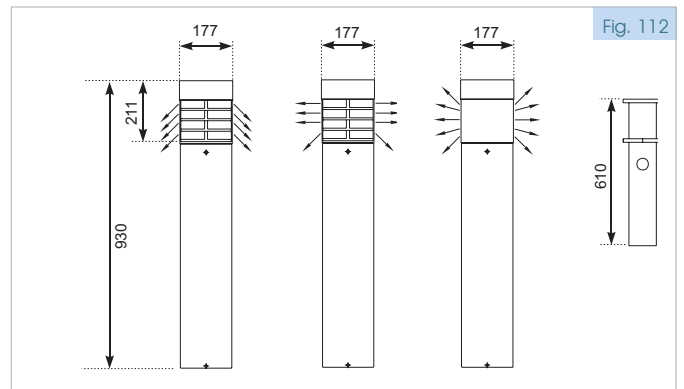


ARICA

	ARICA	Code	Dimensions
26W	Compact fluorescent fitting c/w switch-start gear & lamp, white aluminium louvres & clear polycarbonate diffuser, flat top cap, root mounted	BA93AW 26L	Fig 112
35W	Metal halide fitting c/w integral gear, timed ignitor, lamp (G12), white aluminium louvres & clear polycarbonate diffuser, flat top cap, root mounted	BA93AWH 35TL	Fig 112
50W	SON fitting c/w integral gear, timed ignitor, lamp (E27), white aluminium louvres & clear polycarbonate diffuser, flat top cap, root mounted	BA93AWS 50TL	Fig 112
26W	Compact fluorescent fitting c/w switch – start gear & lamp, stainless steel louvres & clear polycarbonate diffuser, flat top cap, root mounted	BA93S 26L	Fig 112
35W	Metal halide fitting c/w integral gear, timed ignitor, lamp (G12), stainless steel louvres and clear polycarbonate diffuser, flat top cap, root mounted	BA93SH 35TL	Fig 112
50W	SON fitting c/w integral gear, timed ignitor, lamp (E27), stainless steel louvres & clear polycarbonate diffuser, flat top cap, root mounted	BA93SS 50TL	Fig 112
26W	Compact fluorescent fitting c/w switch – start gear & lamp, no louvres & opal polycarbonate diffuser, flat top cap, root mounted	BA93NO 26L	Fig 112
35W	Metal halide fitting c/w integral gear, timed ignitor, lamp (G12), no louvres & opal polycarbonate diffuser, flat top cap, root mounted	BA93NOH 35TL	Fig 112
50W	SON fitting c/w integral gear, timed ignitor, lamp (E27), no louvres & opal polycarbonate diffuser, flat top cap, root mounted	BA93NOS 50TL	Fig 112
	Dummy fitting, no gear or louvres c/w opal polycarbonate diffuser, flat top cap, root mounted	BA93NO	Fig 112



Brushed and lacquered stainless steel, grade 316, body and top cap. Clear and opal injection moulded polycarbonate diffusers and a number of louvre variants offer a range of photometric options.



Accessories - ARICA	Code	Dimensions
Stainless steel, tamper proof securing bolts	BA93TSB	Fig 112 Fig 189

ARICA

IP65 240 Volts 50Hz – Nominal supply

Round and flat top cap versions available along with root and flange mounted options.

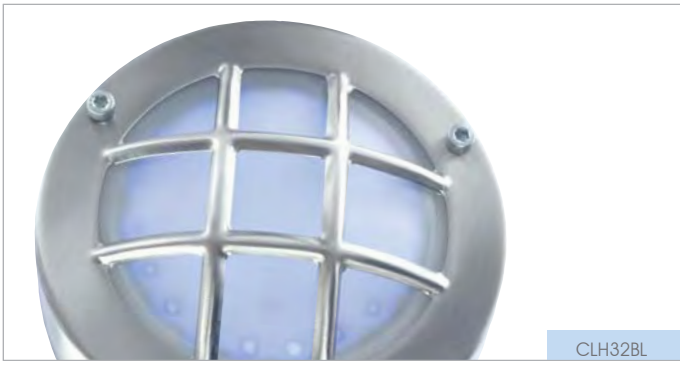
For lamp colour temperatures - See page 100

Ambient Operating Temperatures

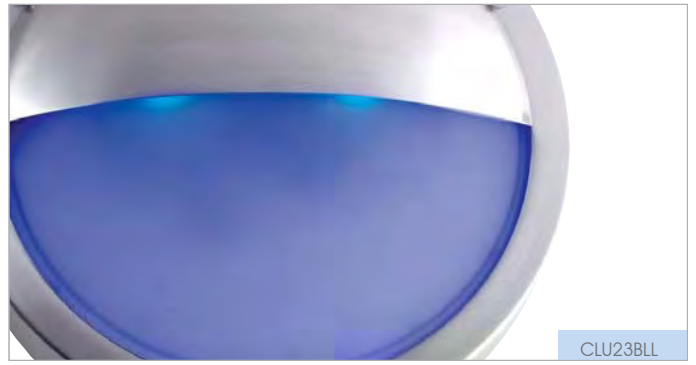
-30°C to +25°C (SON)
-20°C to +25°C (MBF & Metal Halide)

For flange mounted versions place F after 3 in the above product codes eg BA93FAW26L.

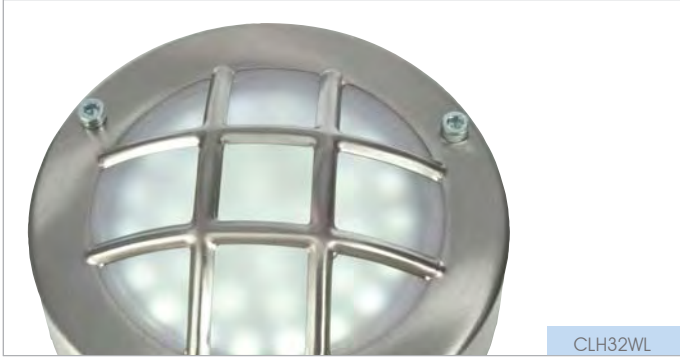
For round top versions of the Arica, place R after A in the above product codes, dimensions are given in Fig 189



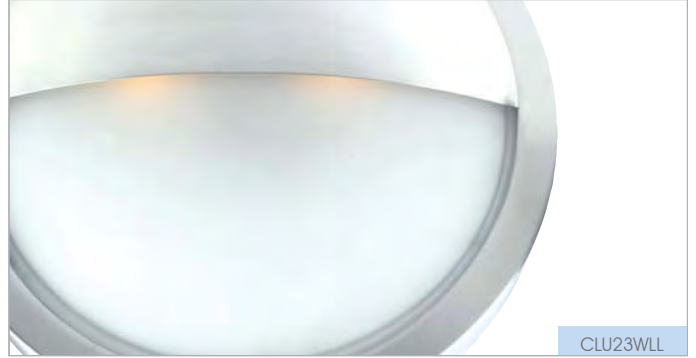
CLH32BL



CLU23BLL



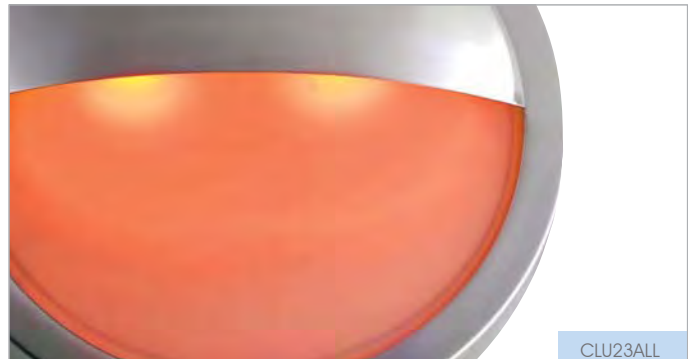
CLH32WL



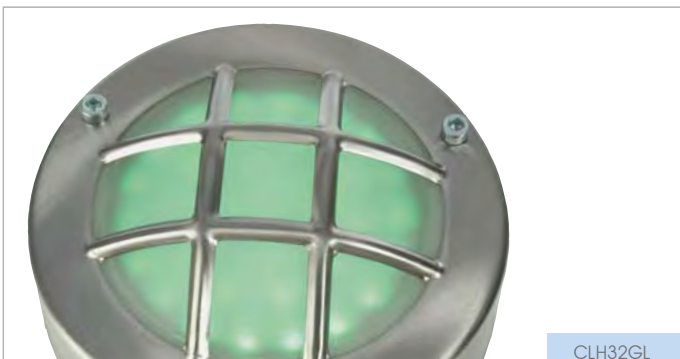
CLU23WLL



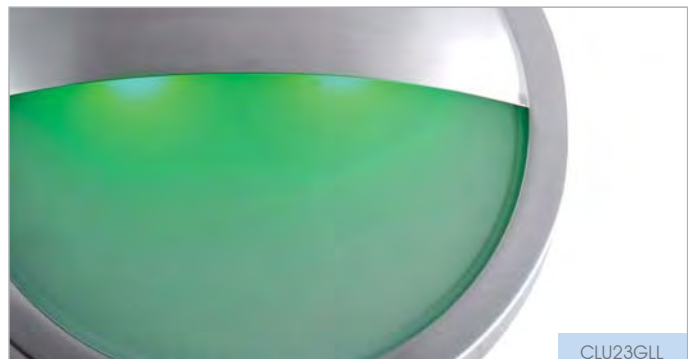
CLH32AL



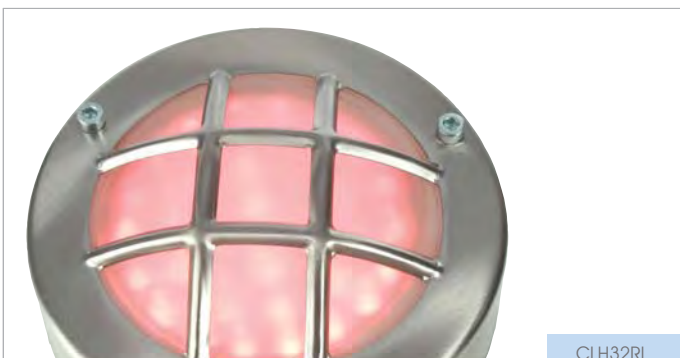
CLU23ALL



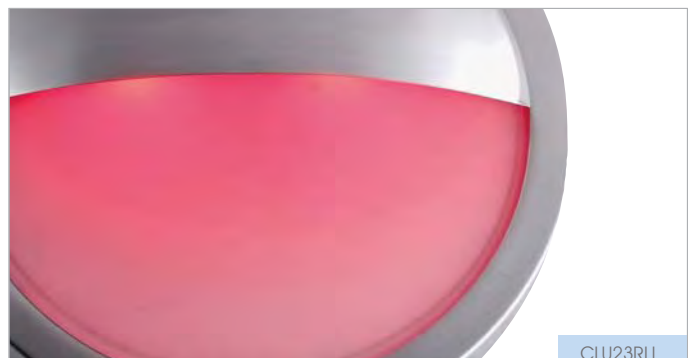
CLH32GL



CLU23GLL



CLH32RL



CLU23RLL

Colour change led's and sequencing controllers(DALI) are also available from Hilclare. Please enquire for further details

3 W

Amenity led Wall Lights

PALENCIA

A range of neat and distinctive IP44 luminaires with 32 led light sources. Frosted glass diffuser, diecast aluminium base, 316 grade stainless steel outer trims.

Total power consumption less than 3W.

PALENCIA	Code	Dimensions
32 blue led's 240Vac operation	CLP32BL	Fig 193

JAEN	Code	Dimensions
32 blue led's 240Vac operation	CLJ32BL	Fig 194

HUESEA	Code	Dimensions
32 blue led's 240Vac operation	CLH32BL	Fig 195

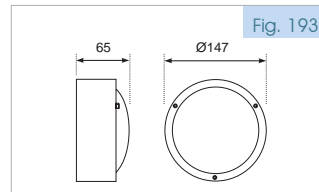


Fig. 193



JAEN

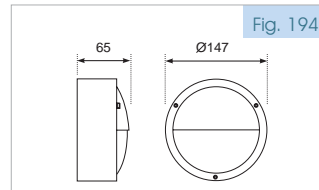


Fig. 194



HUESEA

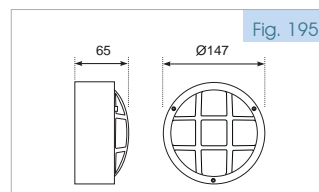


Fig. 195



PALENCIA, JAEN & HUESEA

For white, amber, green, red replace B with W, A, G, R, in the code eg CLP32WL

IP44 240 Volts 50Hz - Nominal supply

16 W

Amenity Wall Lights

YEPES

A range of IP54 luminaires complimentary in appearance to the Palencia, Jaen and Huesea. Frosted glass diffuser, diecast aluminium base, 316 grade stainless steel trims.

YEPES	Code	Dimensions
16W 2D c/w high frequency ballast & lamp	CLY16L	Fig 196

DARIEN	Code	Dimensions
16W 2D c/w high frequency ballast & lamp	CLD16L	Fig 197

XINZO	Code	Dimensions
16W 2D high frequency ballast & lamp	CLX16L	Fig 198

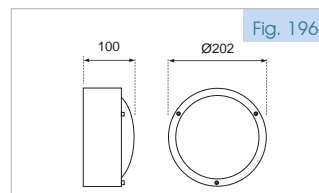


Fig. 196



DARIEN

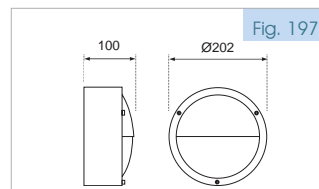


Fig. 197



XINZO

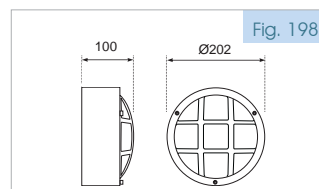


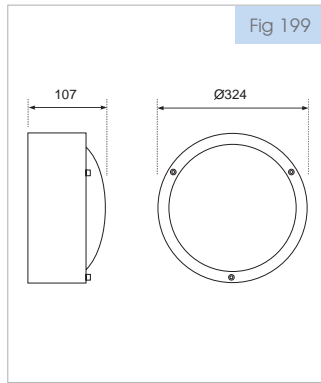
Fig. 198



YEPES, DARIEN & XINZO

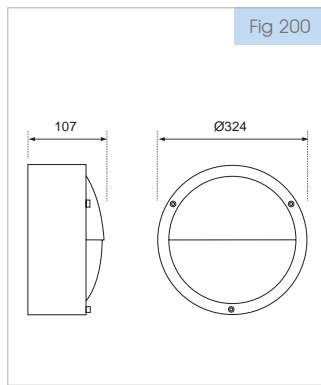
IP54 240 Volts 50Hz - Nominal supply

GRANADA



GRANADA		Code	Dimensions
16W	2D c/w high frequency ballast & lamp	CLG16HFL	Fig 199
28W	2D c/w high frequency ballast & lamp	CLG28HFL	Fig 199
38W	2D c/w switch-start ballast & lamp	CLG38HFL	Fig 199

UBEDA



UBEDA		Code	Dimensions
16W	2D c/w high frequency ballast & lamp	CLU16HFL	Fig 200
28W	2D c/w high frequency ballast & lamp	CLU28HFL	Fig 200
38W	2D c/w high frequency ballast & lamp	CLU38HFL	Fig 200
6W	2x3W royal blue leds	CLU23RBLL	Fig 200

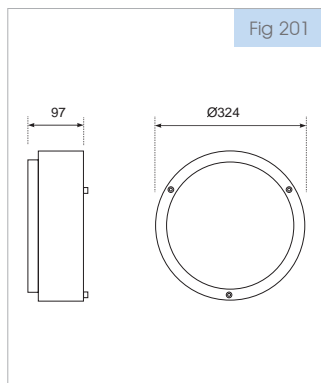
A small range of IP54 luminaires of higher 2D wattage than, but complimentary to, the Yepes and Darien. The Ubeda is also available with 2x3W Luxeon led's which, in combination with the frosted glass diffuser, give a highly attractive coloured effect. 316 grade stainless steel trims and diecast aluminium base. Cable entry is only available via the flat area of the base.

For White, Amber, Green, Red versions of the Ubeda replace **RB** with **W, A, G, R** in the code eg CLU23**ALL**

The Granada and Ubeda are both available with integral maintained or non-maintained emergency units with switch-start/h.f. ballast options in the range 16-28W.

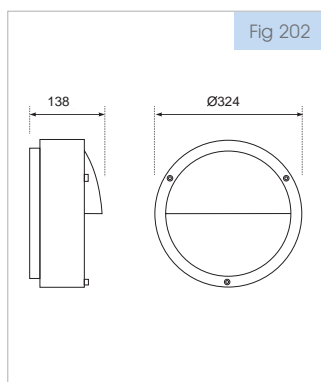
IP54 - 240 Volts 50Hz- Nominal supply

CANTABRIA



CANTABRIA		Code	Dimensions
16W	2D c/w high frequency ballast & lamp, clear prismatic diffuser	CLC16PHFL	Fig 201
28W	2D c/w high frequency ballast & lamp, clear prismatic diffuser	CLC28PHFL	Fig 201
38W	2D c/w high frequency ballast & lamp, clear prismatic diffuser	CLC38PHFL	Fig 201

ISTAN



ISTAN		Code	Dimensions
16W	2D c/w high frequency ballast & lamp, clear prismatic diffuser	CLI16PHFL	Fig 202
28W	2D c/w high frequency ballast & lamp, clear prismatic diffuser	CLI28PHFL	Fig 202
38W	2D c/w high frequency ballast & lamp, clear prismatic diffuser	CLI38PHFL	Fig 202
6W	2x3W royal blue leds	CLI23RBLL	Fig 202

The IP65 Cantabria and Istan feature flat clear prismatic or opal polycarbonate diffuser and 316 grade stainless steel trims. The silver painted aluminium base extends below the trim to allow cable entry via the side or flat area of the base. Versions of the Cantabria and Istan are offered with 16-38W 2D lamps. The Istan is also available with 2x3W Luxeon led's which, in combination with the opal diffuser, gives a highly attractive coloured effect.

Opal diffuser replace **P** with **O** in the product code eg CLC16**OL**

For White, Amber, Green, Red versions of the Istan replace **RB** with **W, A, G, R** in the code eg CLI23**WLL**

The Cantabria and Istan are both available with integral maintained or non-maintained emergency units with switch-start/h.f. ballast options in the range 16-28W.

IP65 - 240 Volts 50Hz- Nominal supply

LIMA

	35-70W Body & Base c/w Gear & G12 Lamp	Code	Dimensions
35W	Ceramic Metal Halide (1 window, narrow beam)	WWLH351NTLC	Fig 114
70W	Metal Halide (1 window, narrow beam)	WWLH701NTL	Fig 114
70W	Ceramic Metal Halide (1 window, narrow beam)	WWLH701NTLC	Fig 114

Cylindrical shaped IP54 luminaire capable of wallwashing with 1, 2 or 4 discrete beams. Black dry powder coated die-cast aluminium base and spun aluminium body. Bodies available with either 1, 2 or 4 clear glass windows. Narrow beam (approx 14°) and wide beam (approx 50°) window options are available. With a huge number of variants of beam number, width and lamp colour the Lima allows you to design a unique wall wash pattern for most prestigious buildings.

Body & base must be purchased in conjunction with 2 or 4 windows as shown below.

For 2 and 4 window versions replace 1 with 2 or 4 respectively in the above codes. Eg: if ordering 4 window version WWLH354TLC

For wide beam window(s) replace N with W in the above codes.

Versions of the Lima with both narrow and wide window options are available on request.

70W Metal Halide is also available in magenta, orange, green and blue. Please specify when ordering.

Other colours of body and base are available on request.

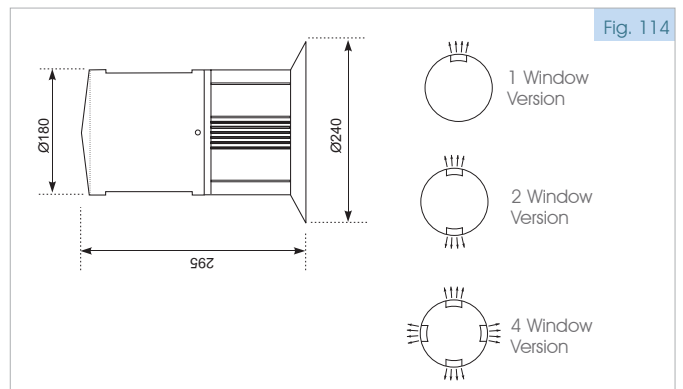
All Lima luminaires are supplied c/w G12 lampholder and integral ballast, timed ignitor, capacitor and lamp.

The Lima c/w narrow beam clear window and 70W Metal Halide lamp will project approx 5m and the wide beam approx 3m along a flat wall. The 35W Metal Halide lamp gives approx 50% of these projection distances. The various versions of coloured lamp will also reduce the above figures by an additional 50% or more.

IP54 - 240 Volts 50Hz - Nominal supply



Fig. 114



	26-150W Black Body & Base c/w Gear & Lamp c/w wall-wash up and wide beam down	Code	Dimensions
26W	PL c/w switch-start gear	WWCPLWUBD 26L	Fig 115
2x26W	PL c/w switch-start gear	WWCPLWUBD2 26L	Fig 115
70W	Ceramic Metal Halide c/w double ended lamp	WWCHWUBD 70TLC	Fig 115
70W	Metal Halide c/w double ended lamp	WWCHWUBD 70TL	Fig 115
150W	Ceramic Metal Halide c/w double ended lamp	WWCHWUBD 150TLC	Fig 115
150W	Metal Halide c/w double ended lamp	WWCHWUBD 150TL	Fig 115

When ordering the Caldera the required up and down light distribution patterns must be defined.

Accessories - CALDERA	Code	Dimensions
Filter holder (Factory fitted)	WWCFH	Fig 116

When ordering white body & base replace WWC with **WWCW** in the above codes eg **WWCWPL26L**.

For wide beam up replace **WU** with **BU**. For wall-wash down replace **BD** with **WD** in the above codes.

Coloured Lamps 150W Metal Halide is also available in blue and green. Please specify when ordering.

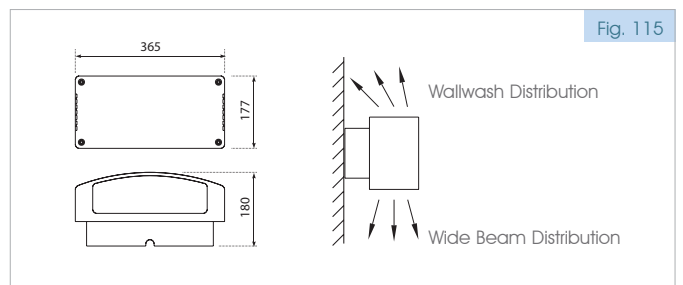
Separate colour filters are available for up and downlight wallwash distributions. Each filter separates the light distribution into 3 parts which can be selected from red, amber, green and blue. Specify colours required when ordering.

IP65 - 240 Volts 50Hz - Nominal supply

CALDERA



Fig. 115



A discrete IP65 luminaire capable of up and or down illumination. Black or white dry powder coated diecast aluminium base and front cover. Up and down light components are controlled by separate reflectors. They offer either a 'wide beam' or more focussed 'wallwash' distribution. Using a wide beam for the downlight component is particularly useful for illuminating both the wall and the walk-way beneath. Wallwash distributions are offered with a number of coloured filter options.



16 – 38W

IP65 Amenity Circular Bulkheads

aluminium base & diffuser holder/polycarbonate diffuser

ALICANTE

	ALICANTE	Code	Dimensions
16W	2D c/w switch-start ballast & lamp, trim 1	DLA161HFL	Fig 203
28W	2D c/w switch-start ballast & lamp, trim 1	DLA281HFL	Fig 203
38W	2D c/w switch-start ballast & lamp, trim 1	DLA381HFL	Fig 203

A distinctive and robust range of IP65 surface mounted luminaires. Black aluminium base and diffuser securing trims, opal polycarbonate diffuser.

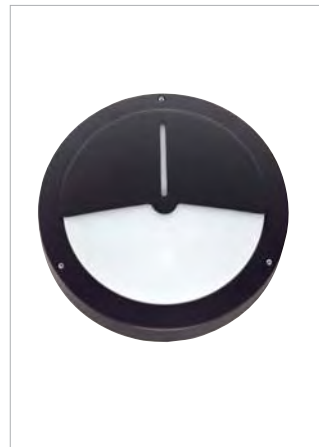
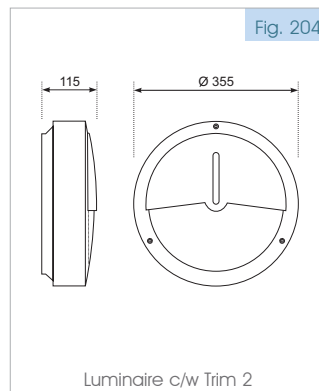
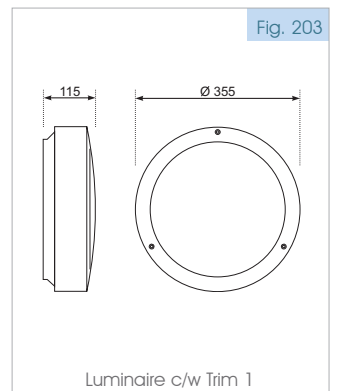


Fig. 204



Luminaire c/w Trim 2

Fig. 203



Luminaire c/w Trim 1

- **Trim 2** Replace 1 with 2 in the product code, ie DLA282L
- The Alicante is available with integral maintained or non-maintained emergency units with switch-start/hf ballast options in the range 16-28W.
- The Alicante is available with tamper proof securing screws.
- **IP65** 240 Volts 50Hz - Nominal Supply

28 – 3x26W

IP54 Amenity Circular Bulkheads

polycarbonate base/polycarbonate diffuser

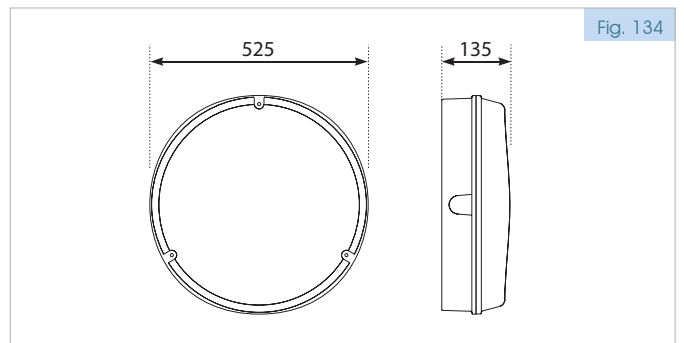
LARIA

	LARIA - black polycarbonate base, clear prismatic polycarbonate diffuser	Code	Dimensions
28W	2D c/w high frequency ballast & lamp	DLL2D 28BPHFL	Fig 134
38W	2D c/w high frequency ballast & lamp	DLL2D 38BPHFL	Fig 134
2x26W	PLC c/w high frequency ballasts & lamp	DLL2 26BPHFL	Fig 134
3x26W	PLC c/w high frequency ballasts & lamp	DLL3 26BPHFL	Fig 134
FC55W	c/w high frequency ballast & lamp	DLL 55BPHFL	Fig 134

A 525mm diameter range of higher wattage polycarbonate IP54 bulkheads c/w stainless steel base/diffuser retaining clips. A wide range of lamp wattages are available c/w high frequency ballast and emergency options.



Fig. 134



- **COLOUR OPTIONS - Specify when ordering**
Opal prismatic polycarbonate diffuser replace P with O in the above codes
White polycarbonate base replace B with W in the above codes
- **High Frequency Emergency** versions are available for 28W, 38W, 2x26W and 3x26W. Replace L with EM in the above codes.
- **IP54** 240 Volts 50Hz - Nominal Supply

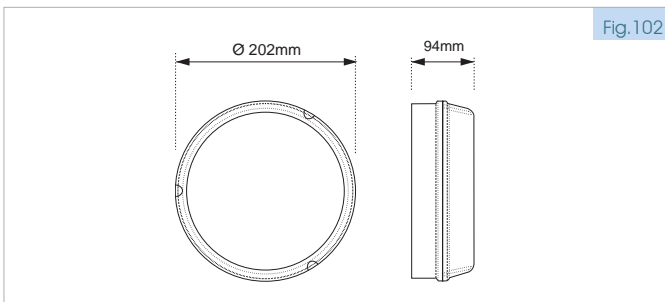
GANDIA

polycarbonate base/polycarbonate diffuser



	GANDIA	Code	Dimensions
16W2D	Black base, clear prismatic diffuser c/w high frequency ballast & lamp	DLG2D 16BPHFL	Fig102
16W2D	Black base, opal prismatic diffuser c/w high frequency ballast & lamp	DLG2D 16BOHFL	Fig102
16W2D	White base, clear prismatic diffuser c/w high frequency ballast & lamp	DLG2D 16WPHFL	Fig102
16W2D	White base, opal prismatic diffuser c/w high frequency ballast & lamp	DLG2D 16WOHFL	Fig102

A range of compact circular surface mounted luminaires suitable for interior and exterior locations

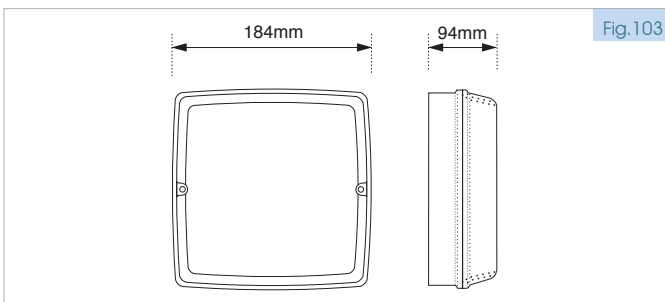


JEREZ



	JEREZ	Code	Dimensions
16W2D	Black base, clear prismatic diffuser c/w high frequency ballast & lamp	DLJ2D 16BPHFL	Fig103
16W2D	Black base, opal prismatic diffuser c/w high frequency ballast & lamp	DLJ2D 16BOHFL	Fig103
16W2D	White base, clear prismatic diffuser c/w high frequency ballast & lamp	DLJ2D 16WPHFL	Fig103
16W2D	White base, opal prismatic diffuser c/w high frequency ballast & lamp	DLJ2D 16WOHFL	Fig103

A range of compact square surface mounted luminaires suitable for interior and exterior locations



GANDIA & JEREZ

- The Gandia and Jerez are both available with tamper proof securing screws. Enquire for further details.

- IP 54 240 Volts 50Hz - Nominal supply

MOTRIL

polycarbonate base/polycarbonate diffuser

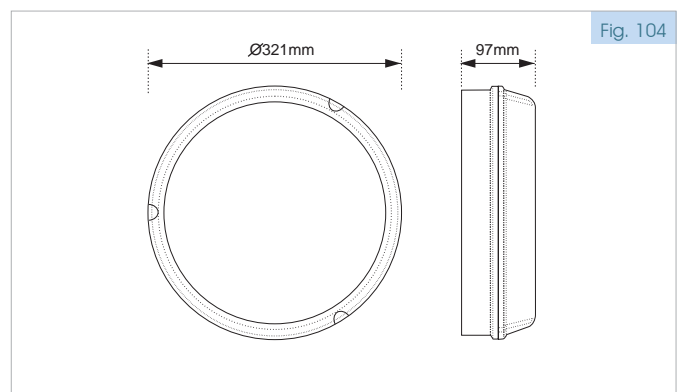
	Black base, clear prismatic diffuser	Code	Dimensions
16W2D	c/w high frequency ballast & lamp	DLM2D16BPHFL	Fig104
28W2D	c/w high frequency ballast & lamp	DLM2D28BPHFL	Fig104
38W2D	c/w high frequency ballast & lamp	DLM2D38BPHFL	Fig104

	Black base, opal prismatic diffuser	Code	Dimensions
16W2D	c/w high frequency ballast & lamp	DLM2D16BOHFL	Fig104
28W2D	c/w high frequency ballast & lamp	DLM2D28BOHFL	Fig104
38W2D	c/w high frequency ballast & lamp	DLM2D38BOHFL	Fig104

	White base, clear prismatic diffuser	Code	Dimensions
16W2D	c/w high frequency ballast & lamp	DLM2D16WPHFL	Fig104
28W2D	c/w high frequency ballast & lamp	DLM2D28WPHFL	Fig104
38W2D	c/w high frequency ballast & lamp	DLM2D38WPHFL	Fig104

	White base, opal prismatic diffuser	Code	Dimensions
16W2D	c/w high frequency ballast & lamp	DLM2D16WOHFL	Fig104
28W2D	c/w high frequency ballast & lamp	DLM2D28WOHFL	Fig104
38W2D	c/w high frequency ballast & lamp	DLM2D38WOHFL	Fig104

A compact range of commodity circular and square surface mounted luminaires suitable for interior and exterior locations



	Black base, clear prismatic diffuser	Code	Dimensions
16W2D	c/w high frequency ballast & lamp	DLP2D16BPHFL	Fig105
28W2D	c/w high frequency ballast & lamp	DLP2D28BPHFL	Fig105
38W2D	c/w high frequency ballast & lamp	DLP2D38BPHFL	Fig105

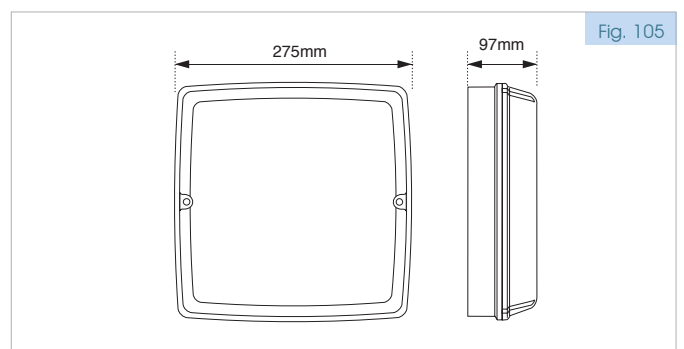
	Black base, opal prismatic diffuser	Code	Dimensions
16W2D	c/w high frequency ballast & lamp	DLP2D16BOHFL	Fig105
28W2D	c/w high frequency ballast & lamp	DLP2D28BOHFL	Fig105
38W2D	c/w high frequency ballast & lamp	DLP2D38BOHFL	Fig105

	White base, clear prismatic diffuser	Code	Dimensions
16W2D	c/w high frequency ballast & lamp	DLP2D16WPHFL	Fig105
28W2D	c/w high frequency ballast & lamp	DLP2D28WPHFL	Fig105
38W2D	c/w high frequency ballast & lamp	DLP2D38WPHFL	Fig105

	White base, opal prismatic diffuser	Code	Dimensions
16W2D	c/w high frequency ballast & lamp	DLP2D16WOHFL	Fig105
28W2D	c/w high frequency ballast & lamp	DLP2D28WOHFL	Fig105
38W2D	c/w high frequency ballast & lamp	DLP2D38WOHFL	Fig105

For 16W or 28W emergency versions of the above products add **EM**, for the maintained, and **NEM**, for the non-maintained, to the end of the product codes

PUNTO



MOTRIL & PUNTO

- The Motril and Punto are both available with tamper proof securing screws. Enquire for further details.
- IP 54 240 Volts 50Hz - Nominal supply
- The Motril and Punto are both available with 16W integral maintained or non-maintained emergency units with h.f. ballast options.
- At 28W, integral maintained or non-maintained emergency options are available with h.f. ballast only with the luminaire in a wall mounted location for the maintained, but any orientation for the non-maintained.

SANTOS

aluminium base/polycarbonate diffuser

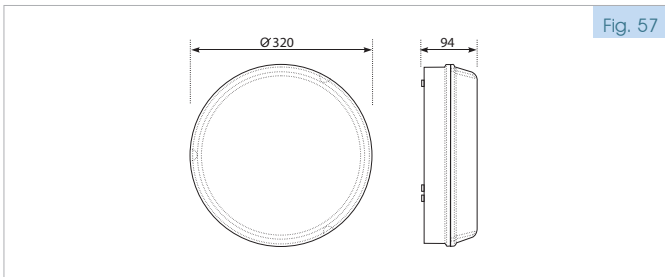


Fig. 57

A compact and robust circular surface mounted luminaire suitable for interior and exterior locations

Black base, clear prismatic diffuser		Code	Dimensions
16W2D	c/w high frequency ballast & lamp	DLS2D 16BPHFL	Fig57
28W2D	c/w high frequency ballast & lamp	DLS2D 28BPHFL	Fig57
38W2D	c/w high frequency ballast & lamp	DLS2D 38BPHFL	Fig57

Black base, opal prismatic diffuser		Code	Dimensions
16W2D	c/w high frequency ballast & lamp	DLS2D 16BOHFL	Fig57
28W2D	c/w high frequency ballast & lamp	DLS2D 28BOHFL	Fig57
38W2D	c/w high frequency ballast & lamp	DLS2D 38BOHFL	Fig57

White base, clear prismatic diffuser		Code	Dimensions
16W2D	c/w high frequency ballast & lamp	DLS2D 16WPHFL	Fig57
28W2D	c/w high frequency ballast & lamp	DLS2D 28WPHFL	Fig57
38W2D	c/w high frequency ballast & lamp	DLS2D 38WPHFL	Fig57

White base, opal prismatic diffuser		Code	Dimensions
16W2D	c/w high frequency ballast & lamp	DLS2D 16WOHFL	Fig57
28W2D	c/w high frequency ballast & lamp	DLS2D 28WOHFL	Fig57
38W2D	c/w high frequency ballast & lamp	DLS2D 38WOHFL	Fig57

VIGO

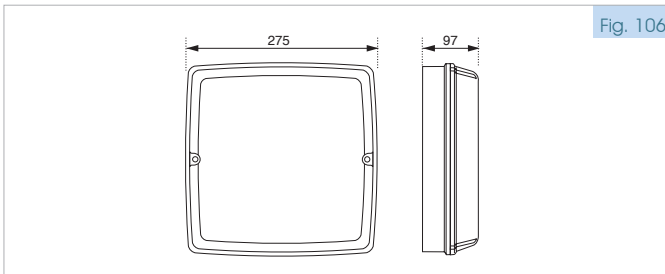


Fig. 106

A compact and robust square surface mounted luminaire suitable for interior and exterior locations

Black base, clear prismatic diffuser		Code	Dimensions
16W2D	c/w high frequency ballast & lamp	DLV2D 16BPHFL	Fig57
28W2D	c/w high frequency ballast & lamp	DLV2D 28BPHFL	Fig57
38W2D	c/w high frequency ballast & lamp	DLV2D 38BPHFL	Fig57

Black base, opal prismatic diffuser		Code	Dimensions
16W2D	c/w high frequency ballast & lamp	DLV2D 16BOHFL	Fig57
28W2D	c/w high frequency ballast & lamp	DLV2D 28BOHFL	Fig57
38W2D	c/w high frequency ballast & lamp	DLV2D 38BOHFL	Fig57

White base, clear prismatic diffuser		Code	Dimensions
16W2D	c/w high frequency ballast & lamp	DLV2D 16WPHFL	Fig57
28W2D	c/w high frequency ballast & lamp	DLV2D 28WPHFL	Fig57
38W2D	c/w high frequency ballast & lamp	DLV2D 38WPHFL	Fig57

White base, opal prismatic diffuser		Code	Dimensions
16W2D	c/w high frequency ballast & lamp	DLV2D 16WOHFL	Fig57
28W2D	c/w high frequency ballast & lamp	DLV2D 28WOHFL	Fig57
38W2D	c/w high frequency ballast & lamp	DLV2D 38WOHFL	Fig57

Where **DLS2D** - Product Ref.
16 - Wattage
B (or W) - Base Colour
P (or O) - Prismatic/Opal
HF - High Frequency
L - Lamp included

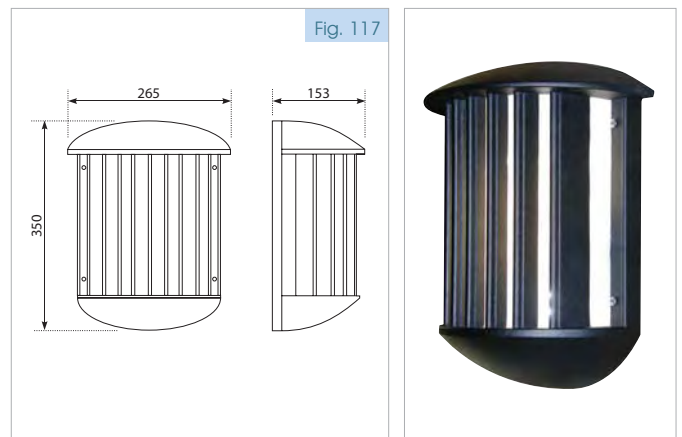
SANTOS & VIGO

- IP 54 240 Volts 50Hz - Nominal supply
- The Santos and Vigo are both available with tamper proof securing screws.
- The Santos and Vigo are both available with integral maintained or non-maintained emergency units with h.f. ballast options in the range 16-38W.

BAUTISTA

	BAUTISTA	Code	Dimensions
16W2D	c/w switch-start ballast & lamp, white base & cover, opal polycarbonate diffuser	CLB2D 16WOL	Fig 117
16W2D	c/w switch-start ballast & lamp, black base & cover, opal polycarbonate diffuser	CLB2D 16BOL	Fig 117

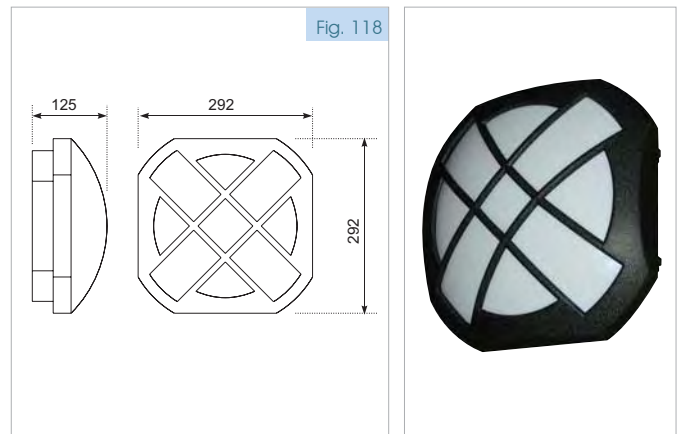
Attractive amenity wall-light, IP44. Dry powder coated die-cast aluminium base and front cover c/w opal polycarbonate diffuser



TEMUCO

	TEMUCO	Code	Dimensions
16W2D	c/w switch-start ballast & lamp, white base & cover, opal polycarbonate diffuser	CLT2D 16WOL	Fig 118
28W2D	c/w switch-start ballast & lamp, white base & cover, opal polycarbonate diffuser	CLT2D 28WOL	Fig 118
16W2D	c/w switch-start ballast & lamp, black base & cover, opal polycarbonate diffuser	CLT2D 16BOL	Fig 118
28W2D	c/w switch-start ballast & lamp, black base & cover, opal polycarbonate diffuser	CLT2D 28BOL	Fig 118

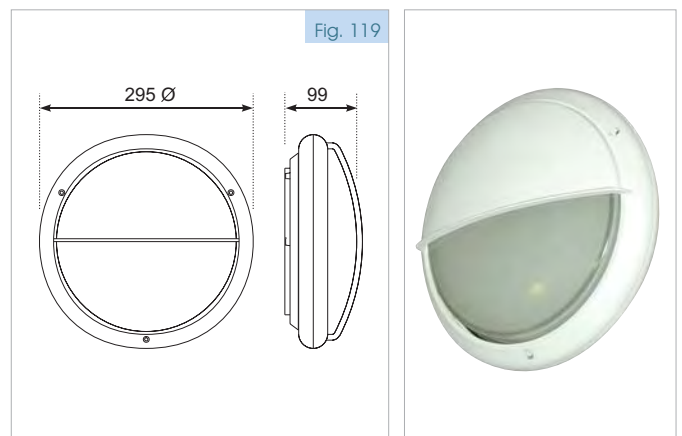
Stylish amenity ceiling/wall-light, IP44. Dry powder coated die-cast aluminium base and front cover c/w opal polycarbonate diffuser.



FRANCA

	FRANCA	Code	Dimensions
16W2D	c/w switch-start ballast & lamp, white base & cover, frosted glass diffuser	CLF2D 16WFL	Fig 119
16W2D	c/w switch-start ballast & lamp, black base & cover, frosted glass diffuser	CLF2D 16BFL	Fig 119

Amenity wall-light, IP44. Dry powder coated die-cast aluminium base and front cover c/w frosted glass diffuser.



BAUTISTA, TEMUCO & FRANCA

- Other lamp versions available on request.
- Other colours available on request.
- Emergency versions of the Bautista, Temuco and Franca are not available
- IP 44 240 Volts 50Hz - Nominal supply
- Stainless steel equivalents of the Franca see page 87

AMIGO

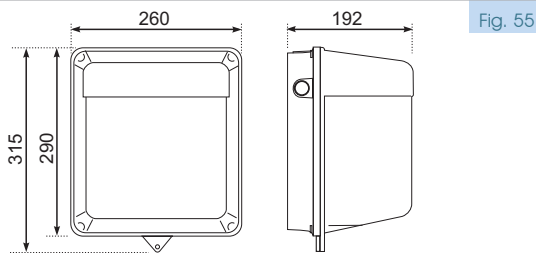


Fig. 55

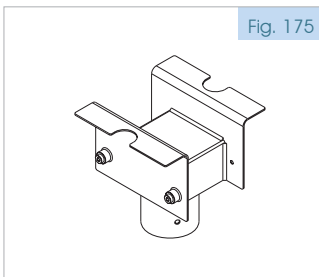


Fig. 175

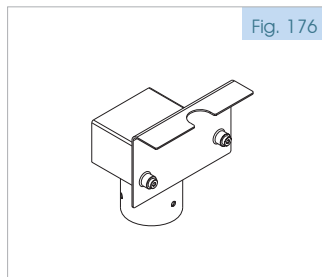


Fig. 176

	HID	Code	Dimensions
70W	SON Δ fitting c/w integral gear (no ignitor) & ignitor lamp	WLAS 70IL	Fig 55
70W	SON Δ fitting c/w integral gear, timed ignitor & lamp	WLAS 70TL	Fig 55
80W	MBF fitting c/w integral gear & lamp	WLAM 80L	Fig 55
70W	Metal Halide fitting c/w integral gear, timed ignitor & lamp, E27	WLAH 70TLO	Fig 55

	PL	Code	Dimensions
26W	Compact fluorescent fitting c/w integral high frequency gear & lamp	WLA 26HFL	Fig 55
26W	Compact fluorescent fitting c/w integral high frequency gear & lamp & integral 3hr maintained emergency unit	WLA 26HFLEM	Fig 55
32W	Compact fluorescent fitting c/w integral high frequency gear & lamp	WLA 32HFL	Fig 55
42W	Compact fluorescent fitting c/w integral high frequency gear & lamp	WLA 42HFL	Fig 55

Exterior amenity wall light, black polycarbonate base & visor, clear prismatic polycarbonate diffuser.

Accessories - AMIGO	Code	Dimensions
Galvanised steel bracket for securing a single Amigo luminaire to a 76mm dia column top	CMASM	Fig 176
Galvanised steel bracket for securing two Amigo luminaires (back to back) to a 76mm dia column top	CMATM	Fig 175

IP 65 240 Volts 50Hz - Nominal supply

Photocell - Where required specify by adding 'P' to the end of the product code eg: WLAH 70TLOP.

Suffix 'O' = Open Fixture Rated Lamp

AMAPA

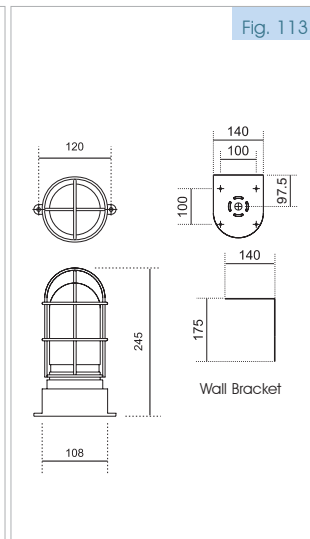


Fig. 113

AMAPA	Code	Dimensions
Fitting c/w E27 lampholder suitable for GLS and various compact fluorescent lamps. (lamps not supplied)	WGA 60	Fig 113

Accessories - AMAPA	Code	Dimensions
Wall mounting bracket	WGAWB	Fig 113
Spare glass diffuser	WGAG	Fig 113
Spare wire guard	WGAWG	Fig 113

General purpose amenity/industrial wellglass. Black dry powder coated aluminium base suitable for direct wall or Besa box mounting and c/w numerous M20 conduit entry points. Silicone coated (for safety) glass diffuser c/w wire guard.

IP 54 240 Volts 50Hz - Nominal supply

	Heat Resistant Glass Diffuser HID	Code	Dimensions
70W	SON Δ fitting c/w integral gear (no ignitor) & ignitor lamp	WLBS 70IGL	Fig 30
70W	SON Δ fitting c/w integral gear, timed ignitor & lamp	WLBS 70GTL	Fig 30
150W	SON Δ fitting c/w integral gear, timed ignitor & lamp	WLBS 150GTL	Fig 30
80W	MBF fitting c/w integral gear & lamp	WLBM 80GL	Fig 30
70W	Metal Halide fitting c/w integral gear, timed ignitor & lamp, E27	WLBH 70GTLO	Fig 30
150W	Metal Halide fitting c/w integral gear, timed ignitor & lamp (E27 lampholder)	WLBH 150GTLO	Fig 30

	Heat Resistant Glass Diffuser PL	Code	Dimensions
2 x 13W	fitting c/w integral switch start gear & lamps	WLB 213GL	Fig 30
2 x 18W	fitting c/w integral switch start gear & lamps	WLB 218GL	Fig 30
2 x 26W	fitting c/w integral switch start gear & lamps	WLB 226GL	Fig 30

Exterior amenity wall light, black die-cast aluminium body with heat resistant clear prismatic glass or clear prismatic polycarbonate diffuser options.

Accessories - BOCA	Code	Dimensions
Wire guard	WLBWG	
Galvanised steel bracket for securing a single Boca luminaire to a 76mm dia column	CMASM	Fig 176 (See page 95)
Galvanised steel bracket for securing two Boca luminaires (back to back) to a 76mm dia column	CMATM	Fig 175 (See page 95)

Prismatic polycarbonate diffuser - change G for P in the above product codes. (cannot be used above 80W)

	Heat Resistant Glass Diffuser HID	Code	Dimensions
70W	SON Δ fitting c/w integral gear (no ignitor) & ignitor lamp	WLGS 70IGL	Fig 30
70W	SON Δ fitting c/w integral gear, timed ignitor & lamp	WLGS 70GTL	Fig 30
150W	SON Δ fitting c/w integral gear, timed ignitor & lamp	WLGS 150GTL	Fig 30
80W	MBF fitting c/w integral gear & lamp	WLG 80GL	Fig 30
70W	Metal Halide fitting c/w integral gear, timed ignitor & lamp, E27	WLG 70GTLO	Fig 30
150W	Metal Halide fitting c/w integral gear, timed ignitor & lamp (E27 lampholder)	WLG 150GTLO	Fig 30

	Heat Resistant Glass Diffuser PL	Code	Dimensions
2 x 13W	fitting c/w integral switch start gear & lamps	WLG 213GL	Fig 30
2 x 18W	fitting c/w integral switch start gear & lamps	WLG 218GL	Fig 30
2 x 26W	fitting c/w integral switch start gear & lamps	WLG 226GL	Fig 30

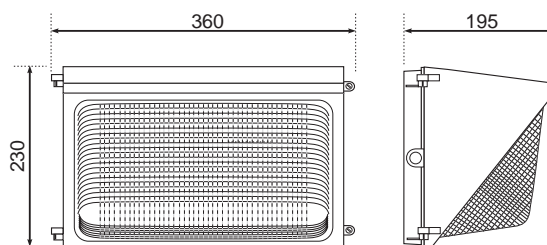
Exterior low glare amenity wall light. Lightly textured grey die-cast aluminium body with heat resistant acid etched glass or opal polycarbonate diffuser options.

Opal polycarbonate diffuser - change G or P in the above product codes. Opal polycarbonate diffuser only to be used with 2x13W, 2x18W and 2x26W PL lamp versions.

Accessories - GALICIA	Code	Dimensions
Wire guard	WLGWG	
Galvanised steel bracket for securing a single Galicia luminaire to a 76mm dia column	CMASM	Fig 176 (See page 95)
Galvanised steel bracket for securing two Galicia luminaires (back to back) to a 76mm dia column	CMATM	Fig 175 (See page 95)



Fig. 30



GALICIA

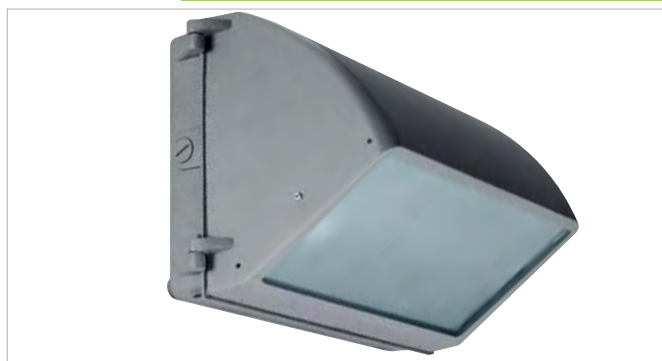
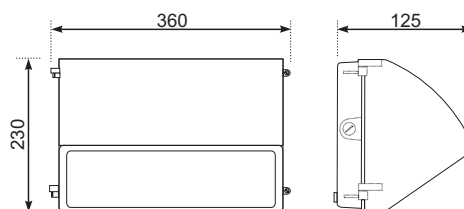


Fig. 190



BOCA & GALICIA

• IP 54 240 Volts 50Hz - Nominal supply

• Photocell - Where required specify by adding 'P' to the end of the product code eg: WLBS 70GTLP or WLGS 70GTLP.



MADRID

	HID	Code	Dimensions
70W	SON Δ fitting c/w integral gear (no ignitor) & ignitor lamp	WLMS 70IL	Fig 191
70W	SON Δ fitting c/w integral gear, timed ignitor & lamp	WLMS 70TL	Fig 191
150W	SON Δ fitting c/w integral gear, timed ignitor & lamp	WLMS 150TL	Fig 191
80W	MBF fitting c/w integral gear & lamp	WLMM 80L	Fig 191
70W	Metal Halide fitting c/w integral gear, timed ignitor & lamp, E27	WLMH 70TLO	Fig 191
150W	Metal Halide fitting c/w integral gear, timed ignitor & lamp (E27 lampholder)	WLMH 150TLO	Fig 191

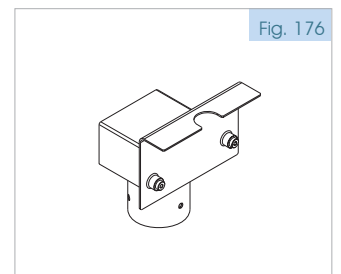
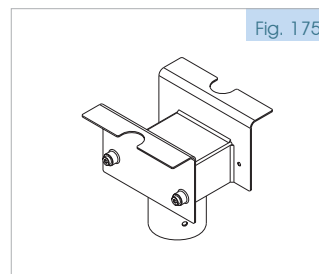
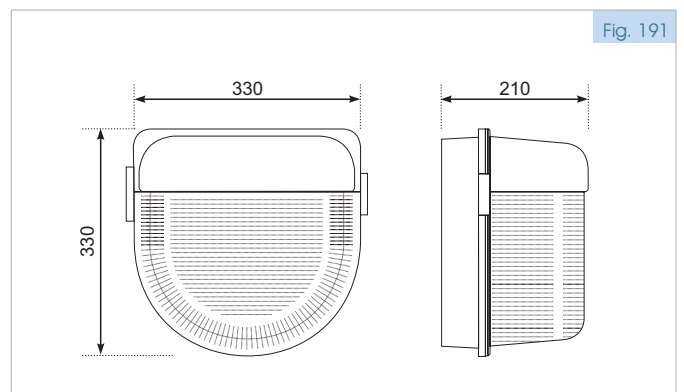
	PL	Code	Dimensions
2x13W	fitting c/w integral high frequency gear & lamps	WLM 213HFL	Fig 191
2x18W	fitting c/w integral high frequency gear & lamps	WLM 218HFL	Fig 191
2x26W	fitting c/w integral high frequency gear & lamps	WLM 226HFL	Fig 191
32W	fitting c/w integral high frequency gear & lamps	WLM 32HFL	Fig 191
2x32W	fitting c/w integral high frequency gear & lamps	WLM 232HFL	Fig 191

Exterior amenity wall light. Black polycarbonate visor, clear prismatic polycarbonate hinged diffuser, black die-cast aluminium base.

Accessories - MADRID	Code	Dimensions
Galvanised steel bracket for securing a single Madrid luminaire to a 76mm dia column	CMASM	Fig 176
Galvanised steel bracket for securing two Madrid luminaires (back to back) to a 76mm dia column	CMATM	Fig 175



Fig. 191



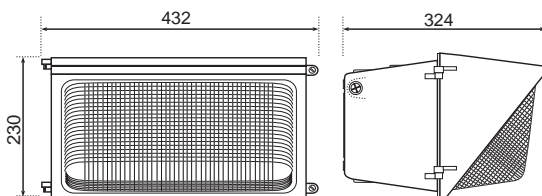
MADRID

- **IP 54** 240 Volts 50Hz - Nominal supply
- **Emergency** - available for 2 x 13W, 2 x 18W & 2 x 26W. Specify by adding 'EM' to end of code eg. WLM 213HFLEM.
- **Lamp Colour Temperature** - 4000K supplied unless otherwise specified for compact fluorescent fittings only. Other options available on request.
- **Photocell** - Where required specify by adding 'P' to the end of the product code eg: WLMS 70TLP.
- **For lamp colour temperatures** - See page 100
- **Ambient Operating Temperatures**
 -30°C to +25°C (SON)
 -20°C to +25°C (MBF & Metal Halide)
 0°C to +25°C (emergency compact fluorescent versions)
- **Other lamp versions** - available on request
- For switch start versions of 2x13W, 2x18W, 2x26W PL fittings remove **HF** from the above order codes eg: WLM213L

CASTILLE



Fig. 67



Exterior amenity wall light, dry powder coated black die-cast aluminium body and front cover and heat resistant glass diffuser.

	CASTILLE	Code	Dimensions
150W	SON Δ fitting c/w integral gear, timed ignitor & lamp	WLCS 150TL	Fig 67
250W	SON Δ fitting c/w integral gear, timed ignitor & lamp	WLCS 250TL	Fig 67
400W	SON Δ fitting c/w integral gear, timed ignitor & lamp	WLCS 400TL	Fig 67
150W	Metal Halide fitting c/w integral gear, timed ignitor & lamp	WLCH 150TL	Fig 67
250W	Metal Halide fitting c/w integral gear, timed ignitor & lamp	WLCH 250TL	Fig 67
400W	Metal Halide fitting c/w integral gear, timed ignitor & lamp	WLCH 400TL	Fig 67
250W	MBF fitting c/w integral gear & lamp	WLCM 250L	Fig 67

Accessories - CASTILLE	Code	Dimensions
Wire guard	WLCWG	
Mains auxiliary standby module c/w E27 lampholder and 250W tungsten-halogen lamp	AUX	
Galvanised bracket for securing a single Castille luminaire to a 76mm dia column top	CMASM	Fig 176 (see page 98)
Galvanised bracket for securing two Castille luminaires (back to back) to a 76mm dia column top	CMATM	Fig 175 (see page 98)

Mains Auxiliary Standby Module Actuates on energising during arc run-up also on mains interruption until arc restoration. Rated for use with a single phase HID circuit up to and including 2kW Max. Aux Lamp max wattage 250W

IP 54 240 Volts 50Hz - Nominal supply

Photocell - NEMA Type available - specify by adding 'P' to end of code. eg WLCS 150TLP.

Other lamp versions available on request.

ARAGON

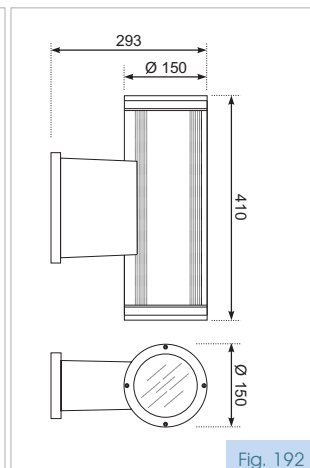


Fig. 192

	ARAGON	Code	Dimensions
35W	Ceramic metal halide fitting (black)	WWAH35TLC	Fig 192
70W	Metal halide fitting (black)	WWAH70TL	Fig 192
70W	Ceramic metal halide fitting (black)	WWAH70TLC	Fig 192

A distinctive wall mounted IP65 luminaire capable of discrete up/down illumination. Black or White diecast aluminium body and gear housing. Single metal halide G12 lamp source.

White - where required place **W** after the lamp wattage in the above product codes eg WWAH70WTL

IP 65 240 Volts 50Hz - Nominal supply

Ambient Operating Temperatures

-30°C to +25°C (SON)

-20°C to +25°C (MBF & Metal Halide)

Lamp Colour Temperatures

HILCLARE PART NUMBER	Wattage	Cap	Shape T - Tubular E - Elliptical	Initial Lumens		Colour Temp. Kelvin	RA Colour Rendering Index	Ballast Type	Burning Position
				BaseUp	Horiz.				
HQI - Enclosed Fixture Rated									
LPH70G124K2	70	G12	T	5800	5000	4200K	70	HQI	U
LPH70R74K2V		RX7s	T	n/a	5500	4200K	70	HQI	HOR+/-45°
LPH150G124K2	150	G12	T	13000	11700	4200K	70	HQI	U
LPH150R74K2V		RX7s-24	T	n/a	11250	4200K	70	HQI	HOR+/-45°
LPH150TCG		GES	T	14000	12600	4000K	65	SON	BU+/-90°
LPH250EDPSV	250	GES	E	23800	n/a	3700K	70	MBF	BU+/-15°
LPH250TCPSH75		GES	T	n/a	22000	4000K	68	MBF	HOR+/-75°
LPH250TCWL		GES	T	19000	17100	4000K	65	SON	U
LPH250TCWL5K2		GES	T	16800	15100	5200K	75	SON	U
LPH400EDPSV	400	GES	E	42000	n/a	3700K	70	MBF	BU+/-15°
LPH400TCPSH75		GES	T	n/a	40000	4000K	68	MBF	HOR+/-75°
LPH400TCWL		GES	T	36000	32400	4000K	65	SON	BU+/-90°
LPH400TCWL5K2		GES	T	32000	28800	5200K	75	SON	BU+/-90°
LPH400EDWLHBU		GES	E	42000	37800	3700K	70	SON	BU+/-90°
LPH400PPEDHBU		GES	E	42000	37800	3700K	70	MBF	BU+/-90°
LPH1KTCWL	1000	GES	T	90000	81000	4000K	65	SON	U
LPH2KTC (415V)	2000	GES	T	n/a	240000	4000K	60	HQI	HOR+/-60°
HQI - Open Fixture Rated									
LPH70EDOU	70	ES	E	5000	4500	3700K	70	HQI	U
LPH150EDOU	150	ES	E	12600	11300	3700K	70	HQI	U
LPH150EDGO		GES	E	12600	11300	3700K	70	SON	U
LPH250EDPSBUOU	250	GES	E	23000	n/a	3700K	70	MBF	BU+/-15°
LPH250ECPSBUOU		GES	E	23800	n/a	4000K	65	MBF	BU+/-15°
LPH250EDWLOU		GES	E	20000	18000	3700K	70	SON	BU+/-90°
LPH250ECWLOU		GES	E	21000	18900	4000K	65	SON	BU+/-90°
LPH400EDPSBUOU	400	GES	E	40000	n/a	3700K	70	MBF	BU+/-15°
LPH400ECPSBUOU		GES	E	42000	n/a	4000K	65	MBF	BU+/-15°
LPH400EDBUO		GES	E	40000	n/a	3700K	70	SON	BU+/-15°
LPH450ECPSBUOU	450	GES	E	47000	n/a	4000K	65	400W SON	BU+/-15°
LPH450EDPSBUOU		GES	E	45000	n/a	3700K	70	400W SON	BU+/-15°
Ceramic Metal Halide									
				Initial Lumens					
LPH20CG85	20	G8.5	T	1700		3000K	80+	HQI	U
LPH35CG123K	35	G12	T	3400		3000K	80+	HQI	U
LPH70CG124K2	70	G12	T	6000		4200K	90+	HQI	U
LPH70CR74K2		RX7s	T	6200		4200K	90+	HQI	HOR+/-45°
LPH70TCES3K		ES	T	6600		3000K	80+	HQI	U
LPH150CG124K2	150	G12	T	13000		4200K	90+	HQI	U
LPH150CR74K2		RX7s-24	T	12500		4200K	90+	HQI	HOR+/-45°
LPH250TCC3K	250	GES	T	25000		3000K	80+	SON	U
LPH250EDC3K		GES	T	23500		3000K	80+	SON	U
LPH400TCBUC3K	400	GES	T	42000		3000K	80+	SON	BU
LPH400TCHOR3K		GES	T	42000		3000K	80+	SON	HOR
LPH400EDBUC3K		GES	E	40000		3000K	80+	SON	BU
MBF									
LPM80D	80	ES	E	3800		4200K	40	MBF	U
LPM125D	125	ES	E	6300		4000K	40	MBF	U
LPM250D	250	GES	E	13000		4000K	40	MBF	U
LPM400D	400	GES	E	22500		4000K	40	MBF	U
SON									
LPS70IE	70	ES (I)	E	5800		2000K	25	SON	U
LPS70E		ES	E	5800		2000K	25	SON	U
LPS70T		ES	T	6000		2000K	25	SON	U
LPS70R7		RX7s	T	6800		2000K	25	SON	HOR+/-45°
LPS150PE	150	GES	E	16900		2000K	25	SON	U
LPS150PT		GES	T	17500		2000K	25	SON	U
LPS150R7		RX7s-24	T	15000		2000K	25	SON	HOR+/-45°
LPS250PE	250	GES	E	31200		2000K	25	SON	U
LPS250PT		GES	T	33000		2000K	25	SON	U
LPS400PE	400	GES	E	53700		2000K	25	SON	U
LPS400PT		GES	T	56500		2000K	25	SON	U
LPS600PT	600	GES	T	85000		2050K	24	SON	U
LPS1KE	1000	GES	E	128000		2100K	23	SON	U
LPS1KT		GES	T	130000		2100K	23	SON	U

Comparative figures: 500W T/H Lamps = 9500 Lumens 1000W T/H Lamps = 22000 Lumens

- The burning position of HID lamps can effect the lumen package of the lamp. The lumen figures quoted above are those for the optimum burning position.
- lamps used in Hilclare luminaires are matched to the control gear being used. It is therefore important that when replacing lamps an identical replacement is used.

Alphabetical Index

Name	Page	Name	Page	Name	Page	Name	Page
ACARU	44	CASTILLE	99	GRANADA	87	PACO	73
ALEDO	22	CATALUNA	25	GRANDE	73	PADRENA	33
ALICANTE	90	CAZORLA	32	GUARO	34	PALENCIA	86
ALMERIA	33	CIPRIAN	43	HUESEA	86	PALMA	64
ALTA	53	COMO	36	IBIZA	68	PARA	58
AMAPA	95	CORDOBA	55	IPAU	60	PAULO	11
AMIGO	95	CRUZ	30	ISTAN	87	PUNTO	92
ARAGON	99	CULTIVA	52	JAEN	86	QUITO	69
ARAXA	24	DALLO	44	JEREZ	91	RIO	69
ARCOS	46	DARIEN	86	JOSE	41	SANTIDA	47
ARICA	84	DAROCA	57	KAMPO	80	SANTOS	34 & 93
ASSIS	15	DEGANO	43	LARIA	90	SERENA	44
AVILA	41	DELGADO 1	37	LEON	74	SIERRA MINI & MAXI	21
AXPE	54	DELGADO 2	38	LIMA	88	TALCA	72
AZTEC	68	DELGADO 3	34	LINDOSO	40	TAMPICO	11
BAUTISTA	94	DIMA	43	LOJA	81	TARIFA	33
BELMONTE	58	DOMINGO	50	LORCA	34	TARIJ	56
BELO	67	DONIS	43	LUGO	74	TEMUCO	94
BISCAY	49	DORADO	77	LUIS	12	TOLOSA	15
BOCA	96	DORIGA	43	LUXLIFT	63	TORCAL	48
BOLLO	82	EMPO	48	MADRID	98	TOLEDO	80
BORJA	46	EPCO	61	MAHON	41	TORRES	22
BRILLO 2	7	ESPINA	51	MALLORCA	16	UBEDA	87
BRACKETS & SPIGOTS	70	ESTADA	78	MAMEDE	78	VARAS	30
CABRITO MINOR	65	ESTRELLA 400	75	MANGA	33	VELHO	14
CABRITO MAJOR	66	ESTRELLA 1000	76	MARIN	70	VIGO	34 & 93
CALDERA	88	ESTRELLA 2000	76	MATO	48	VILLA	44
CALIDA	10	ESTRELLA MINOR	75	MENORCA	47	VISTA	67
CAMETA	12	FRANCA	94	MOTRIL	92	VITO	6
CAMINO	67	GALICIA	96	MURCIA	13	VOLTA	28
CANTABRIA	87	GANDIA	91	OBEJO	46	XINZO	86
CARMONA	82	GERONA	62	OLINO	60	YEPES	86
CASMA	36	GORDAZ	46	ORURO	10	ZAFRA	81
CASTELLAR	40	GOYA	17 & 18	OTARA	28		
CASTELLON	47	GOYA ACCESSORIES	19 & 20	OTONI	25		

Hilclare general conditions of sale

DEFINITIONS

- 1.1 "Buyer" means the person firm or company placing an order with the Seller.
- 1.2 (Seller) means Hilclare Ltd.
- 1.3 "Goods" means all goods and materials which are subject of the Buyer's order or which are to be supplied to the Buyer by the Seller under these Conditions of Sale.
- 1.4 "Contract" means the Contract formed by the Seller's acceptance of the Buyer's order.
- 1.5 "WEEE" means waste electrical and electronic equipment as defined in the WEEE Regulations
- 1.6 "WEEE Regulations" means The Waste Electrical and Electronic Regulations 2006 (SI 2006/3289)

FORMATION OF CONTRACT

- 2.1 There shall be no binding agreement between the Seller and the Buyer until the Seller accepts the Buyer's order. Our records of any order placed by the buyer verbally shall be conclusive.
- 2.2 All orders are accepted subject to the Seller's Conditions of Sale. No terms or conditions put forward by the Buyer shall be binding on the Seller.
- 2.3 The Buyer agrees that these Conditions of Sale and any specific details stated on the face of the acceptance of order form constitute the entire understanding between the parties hereto and that there are no representations, warranties, conditions, terms or obligations, whether written or oral express or implied, by customer or otherwise other than those contained herein.
- 2.4 The Seller reserves the right to charge for any changes made by the Buyer to the Contract.

PRICES

- 1.1 Unless otherwise expressly agreed to the contrary, the Goods shall be sold and invoiced at the Seller's prices in effect at the time of shipment of the Goods. The Seller's prices are exclusive of all taxes, duties and delivery charges. The cost of delivery arranged by the Seller pursuant to Clause 5.4 shall be for the account of the Buyer and shall be set out on the Seller's invoice.

PAYMENT

- 4.1 Unless otherwise expressly agreed in writing, payment including carriage charges and applicable VAT shall be made in cash or by cheque in pounds sterling with the order. At the discretion of the Seller and subject to the provision of satisfactory references, payment may be made in pounds sterling within 30 days from the last day of the month of invoice.
- 4.2 Without prejudice to the Seller's other rights, including the right in any event to sue for the price immediately payment becomes due whether or not property in the Goods has passed, the Seller reserves the right to charge interest to be added to the amount of any delayed payment at the rate of three per cent (3%) per month or part of a month until payment in full has been received.
- 4.3 The Buyer shall not be entitled to withhold payment of any amount due under the Contract in respect of any disputed claim for damage to the Goods or in respect of any other alleged breach of contract by the Seller nor shall the Buyer be entitled to set-off any monies for which the Seller disputes liability against any amount due or payable by the Buyer under the Contract.
- 4.4 The Seller shall be entitled to cancel the Contract if the Buyer shall suffer any distress or execution to be levied on its goods or if it makes any arrangement with its creditors or enters into liquidation, whether compulsory or voluntary, except for the purpose of amalgamation or reconstruction has a receiver appointed of any of its property or assets, or if the Buyer being an individual, shall commit an act of bankruptcy or have a receiving order made against him.
- 4.5 If any payment is not made when due, the Seller shall be entitled to suspend further deliveries under this, or any other contract with the Buyer and to cancel this Contract in whole or in part without prejudice to its other rights and without incurring any liability to the Buyer.
- 4.6 Goods returned to the Seller for repair which are not collected within six months of repair will be sold or scrapped at the Seller's discretion.

DELIVERY

- 5.1 Whilst the Seller will use its best endeavours to avoid delay, the Seller shall not be liable to the Buyer for any loss or damage, whether direct, indirect or consequential. If it is delayed or prevented from delivering the Goods or otherwise performing its contractual obligations due to force majeure, act of God, natural disasters, fire, flood, explosion or earthquake, serious accidents, prohibition or limitation of exports or imports, any act of government, war, insurrection, strikes or labour disturbances, (whether at the Seller's works or elsewhere), shortages of materials or any other cause or event whatsoever beyond the reasonable control of the Seller.
- 5.2 In the event of the occurrence of any of the causes or events mentioned in Clause 5.1 above, the Seller may at its option either suspend performance or, cancel the Contract or so much of it as remains unperformed without liability for any loss and without prejudice to the Seller's rights to receive payment of the price of all Goods previously delivered, or work already done.
- 5.3 The Seller may make delivery by instalments unless otherwise agreed. Failure by the Buyer to accept or pay for any instalment may be treated by the Seller as a repudiation of the Contract.
- 5.4 Unless otherwise specified in the Seller's quotation or acceptance of order, the Seller shall arrange delivery of the Goods to the Buyer's premises or any other delivery point indicated in the Contract and shall insure the Goods to the point of delivery. The costs of such delivery and insurance shall be for the account of the Buyer and shall be set out on the Seller's invoice.
- 5.5 No claim for damage to the Goods may be made unless notified to the Seller and the carrier within three working days of the receipt of the Goods by the Buyer.
- 5.6 Claims for non-delivery must be made within 3 days of the advised date of despatch of the Goods.
- 5.7 Unique Goods shall not be returned or orders relating to them shall not be cancelled or rescheduled in any circumstances whatsoever. Standard Goods may be returned for credit and orders relating to their payment be cancelled or rescheduled at the sole discretion of the Seller. A cancellation charge equal to 25 per cent of the purchase price of the standard Goods subject to cancellation rescheduled or return and eight weeks prior written notice will normally be required.

RISK

- 6.1 If the Seller arranges delivery pursuant to Clause 5.4 the Goods shall be at the Buyer's risk immediately on delivery to the Buyer's premises or any other delivery point indicated in the Contract.
- 6.2 If the Buyer arranges the carriage of the Goods from the Seller's premises, the Goods shall be at the Buyer's risk immediately on delivery to the carrier and the Buyer must insure the Goods accordingly.

RESERVATION OF TITLE

- 7.1 The Seller shall retain title to the Goods until it has received payment in full of all sums due in connection with the supply of all goods to the Buyer at any time. For these purposes the Seller has only received a payment when the amount of that payment is irrevocably credited to its bank account.
- 7.2 If any item of Goods owned by the Seller is attached to, mixed with, or incorporated into other goods not owned by the Seller, and is not identifiable or separable from the resulting composite or mixed goods title to the resulting composite or mixed goods shall vest in the Seller and shall be retained by the Seller for as long as and on the same terms as those on which it would have retained title to the Goods in question.
- 7.3 The Buyer shall store goods owned by the Seller in such a way that they are clearly identifiable as the Seller's property, shall maintain records of such goods identifying them as the Seller's property, or the persons to whom it sells or disposes of such goods and of the payments made by such persons for such goods. It will allow the Seller to inspect these records and the goods themselves on request. All Goods supplied by the Seller in the Buyer's possession shall be presumed to belong to the Seller (unless the Buyer can prove otherwise).

- 7.4 The Seller shall be entitled to trace the proceeds of sale and any insurance proceeds received in respect of goods owned by the Seller. Such proceeds shall be paid into a separate bank account and shall be held by the Buyer on trust for the Seller.
- 7.5 If the Buyer fails to make any payments to the Seller when due, enters into bankruptcy, liquidation or a composition with its creditors, has a receiver or manager appointed over all or part of its assets, or becomes insolvent, or if the Seller has reasonable cause to believe that any of these events is likely to occur, the Seller shall have the right, without prejudice to any other remedies:

- 7.5.1 to enter without prior notice any premises where goods owned by it may be, and to repossess and dispose of any goods owned by it so as to discharge any sums owed to it by the Buyer.
- 7.5.2 to require the Buyer to not resell or part with possession of any goods owned by the Seller until the Buyer has paid in full all sums owed by it to the Seller.
- 7.5.3 to withhold delivery of any undelivered Contract Goods and stop any Contract Goods and stop any Contract Goods in transit.

Unless the Seller expressly elects otherwise any contract between it and the Buyer for the supply of Contract Goods shall remain in existence notwithstanding any exercise by the Seller of its rights under this clause.

INSURANCE

From the time at which risk passes under the provisions of Clause 6 hereof, the Buyer shall keep the Goods fully insured against all risks including, but not limited to, damage in shipment, until final payment is made.

WARRANTIES

- 9.1 Unless otherwise notified in writing to the Buyer, the Seller warrants to the Buyer that the Goods sold hereunder will be free from defects in material and workmanship for a period of one year from the date of receipt thereof by the Buyer. The Seller agrees that after prior written notice from the Buyer of such defects it shall refund the purchase price or replace, at the Seller's option, any such Goods (or parts thereof) which its examination discloses to have been defective and which are returned to the Seller's premises, transportation charges prepaid, during the warranty period. The Seller shall have no liability under this warranty for Goods damaged due to incorrect storage or operation by the Buyer or other misuse.
- 9.2 There are no warranties, express or implied, or merchantability or of fitness for a particular purpose, or of any other kind, except those made in Clause 9.1 hereof. In particular, and to the extent permissible by law, all conditions and warranties which would otherwise be implied by statute or under the common law are hereby excluded.
- 9.3 Except to the extent of the Seller's responsibility expressly undertaken in these Conditions of Sale the Buyer shall fully indemnify the Seller in respect of all actions, suits, claims, demands, costs, charges or expenses arising from damage to or destruction of property, personal injury or death whether caused by the Seller, its servants, agents or sub-contractors in executing the Contract of howsoever caused.
- 9.4 Nothing in this Contract shall have the effect of excluding or limiting liability under the Consumer Protection Act 1987 to a person who has suffered damage caused by a defective product, or to a dependent or relative of such a person.
- 9.5 The Seller shall under no circumstances be liable for any indirect, consequential or incidental damages arising either from breach of any of the warranties contained in this Agreement or from any cause whatsoever.

WEEE COMPLIANCE

- 10.1 The Customer shall:
- 10.1.1 be responsible for financing the collection, treatment, recovery and environmentally sound disposal of:
- 10.1.1.1 all WEEE arising or deriving from the Products; and
- 10.1.1.2 all WEEE arising or deriving from products placed on the market prior to 13 August 2005 where such products are to be replaced by the Products and the Products are of an equivalent type or are fulfilling the same function as that of such products;
- 10.1.2 comply with all additional obligations placed upon the Customer by the WEEE Regulations by virtue of the Customer accepting the responsibility set out in clause 10.1.1; and
- 10.1.3 provide the Seller's WEEE compliance scheme operator with such data, documents, information and other assistance as such scheme operator may from time to time reasonably require to enable such operator to satisfy the obligations assumed by it as a result of the Seller's membership of the operator's compliance scheme.
- 10.2 The Customer shall be responsible for all costs and expenses arising from and relating to its obligations in clause 10.1.
- 10.3 Further information in respect of the arrangements set out in clause 10.1 can be found at www.electrolink.eu.com by clicking on the "WEEE FINAL USERS" button and quoting WEEE registration number "WEE/GB0061TU" where prompted.

SELLER'S REMEDIES

No relaxation, forbearance or delay by the Seller in enforcing any of the terms and conditions herein shall prejudice, affect or restrict the rights of the Seller hereunder, nor shall any waiver by the Seller or any breach operate as a waiver of any subsequent or continuing breach thereof.

AMENDMENTS OR VARIATIONS

No amendments to or variations of this Contract or any part thereof shall be valid as against the Seller unless it is in writing and signed by a duly authorised representative of the Seller.

HEADINGS

Headings to the Clauses in these Conditions of Sale are inserted for convenience of reference only and shall not affect the construction thereof.

SEVERABILITY

If any provision in these Conditions of Sale (or part thereof) shall be found to be invalid, ineffective or unenforceable, the invalidity, ineffectiveness or unenforceability of such provision (or part thereof) shall not affect any other provision (or remainder of the provision of which such invalid, ineffective or unenforceable part forms part). Accordingly all provisions (or parts thereof) not affected by such invalidity, ineffectiveness or unenforceability shall remain in full force and effect.

GOVERNING LAW AND JURISDICTION

All contracts incorporating these Conditions of Sale shall be governed by and construed in accordance with the laws of England and the Buyer agrees to submit to the non-exclusive jurisdiction of the English Courts.

Whilst every effort is made to ensure the accuracy of information contained herein, due to a policy of continuous product development, details in this Buyers Guide are subject to change without prior notice.